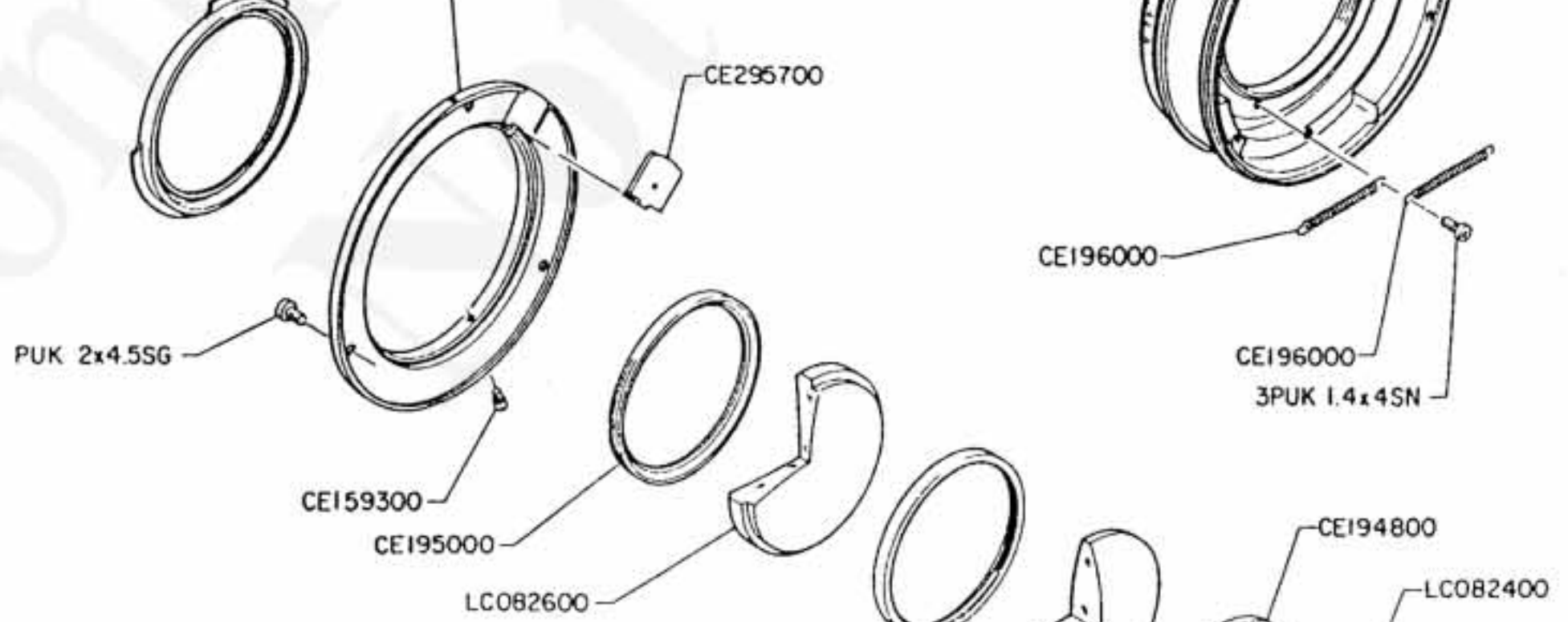
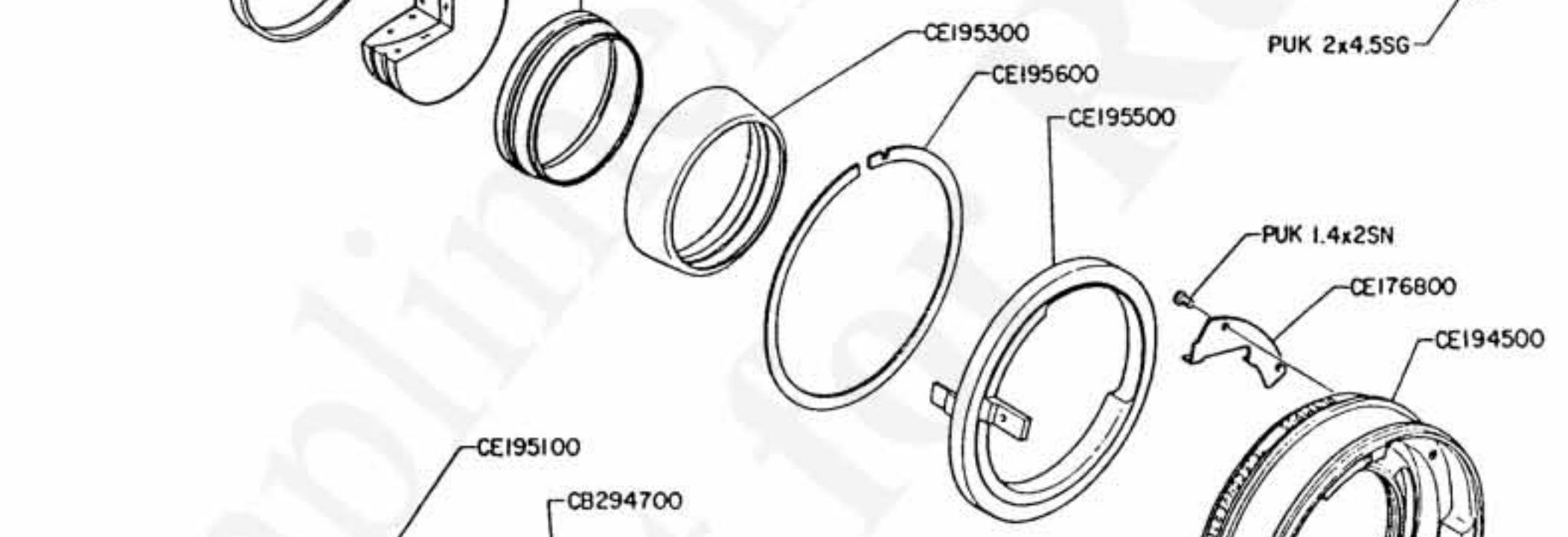
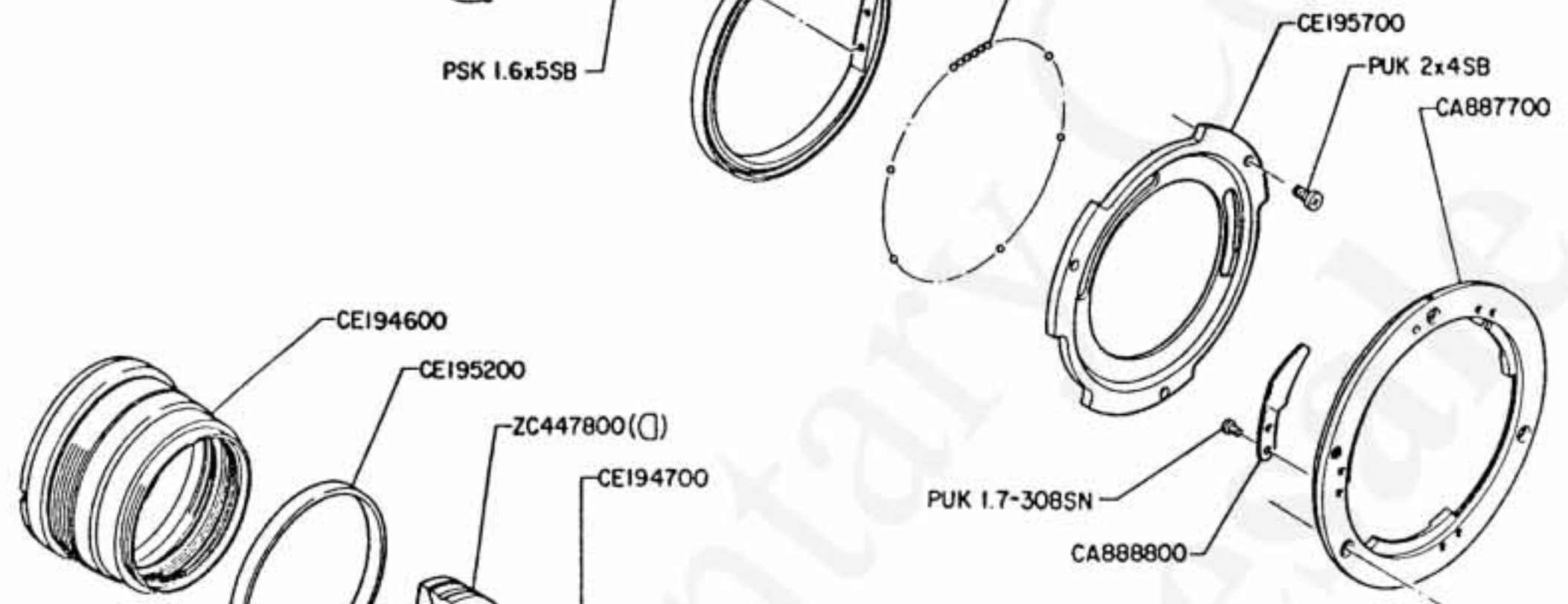
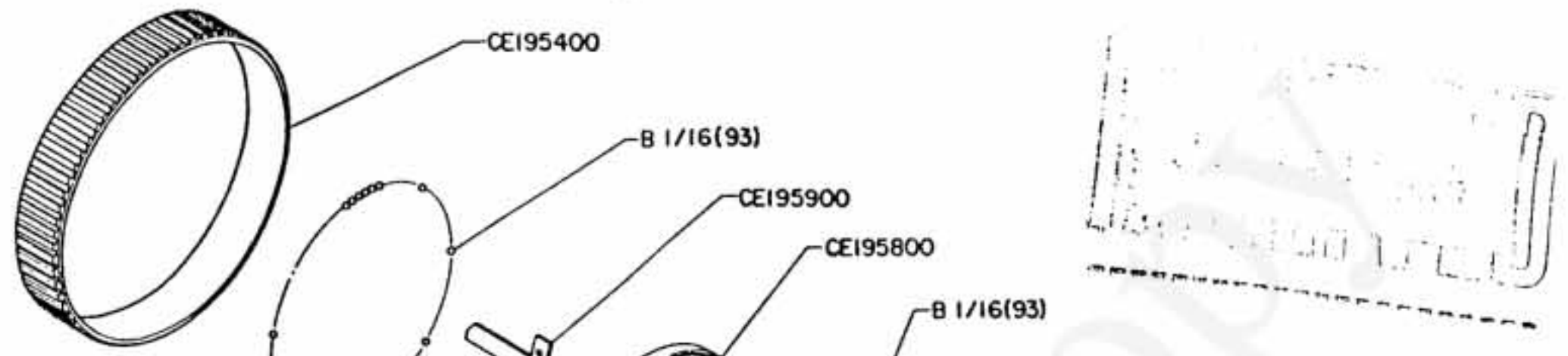


A | B | C | D



4 EXPLODED PARTS DIAGRAM

MODEL	HOUSE CODE or UNIT	FIG.
OLYMPUS OM-SYSTEM TELECONVERTER 1.4X-A	MTC-2	1/1
OLYMPUS OPTICAL CO., LTD. TOKYO, JAPAN		

0483

NOTE: WHEN ORDERING FOR SPARE PARTS, PLEASE CLARIFY A MODEL or HOUSE CODE, PARTS NUMBER AND QUANTITY.

OLYMPUS OM SYSTEM TELECONVERTER 1.4X-A

PARTS LIST

MTC-2 1/1

<u>PARTS NO.</u>	<u>NAME OF PARTS</u>	<u>NOTE</u>	<u>PARTS NO.</u>	<u>NAME OF PARTS</u>	<u>NOTE</u>
CA887700	B MOUNT RING	D1	PUK	1.4X2 SN	SCREW
CA888800	B MOUNT SPRING	C2	PUK	2 X4 SB	SCREW
			PUK	2 X4.5SG	SCREW
CB294700	L MOUNT RING	B3	PUK	1.7-303SN	SCREW
CB295700	E BUTTON 14	C3			
			3PUK	1.4X4 SN	SCREW
CE159300	STOPPER SCREW	B4			
CE176800	E BUTTON HOLDER	D3	PSK	1.6X5 SB	SCREW
CE194500	MAIN BARREL	D3			
CE194600	LENS BARREL	B2	B	1/16	BALL
CE194700	FRONT FASTENING RING	B2			
CE194800	INNER FASTENING RING	D4			
CE194900	SPACER	C4			
CE195000	REAR FASTENING RING	B4			
CE195100	REAR COVERING RING	E3			
CE195200	SPACER	B2			
CE195300	COVERING RUBBER RING	C2			
CE195400	RUBBER GRIP	B1			
CE195500	CONNECTING RING	C2			
CE195600	C RING	C2			
CE195700	BALL HOLDER	D1			
CE195800	F RING	C1			
CE195900	F LEVER	C1			
CE196000	RETURNING SPRING	C3, D4			
LC082400	LENS #2	D4			
LC082500	LENS #3	C4			
LC082600	LENS #4	B4			
ZC447800	FRONT LENS ASS'Y	B2			