

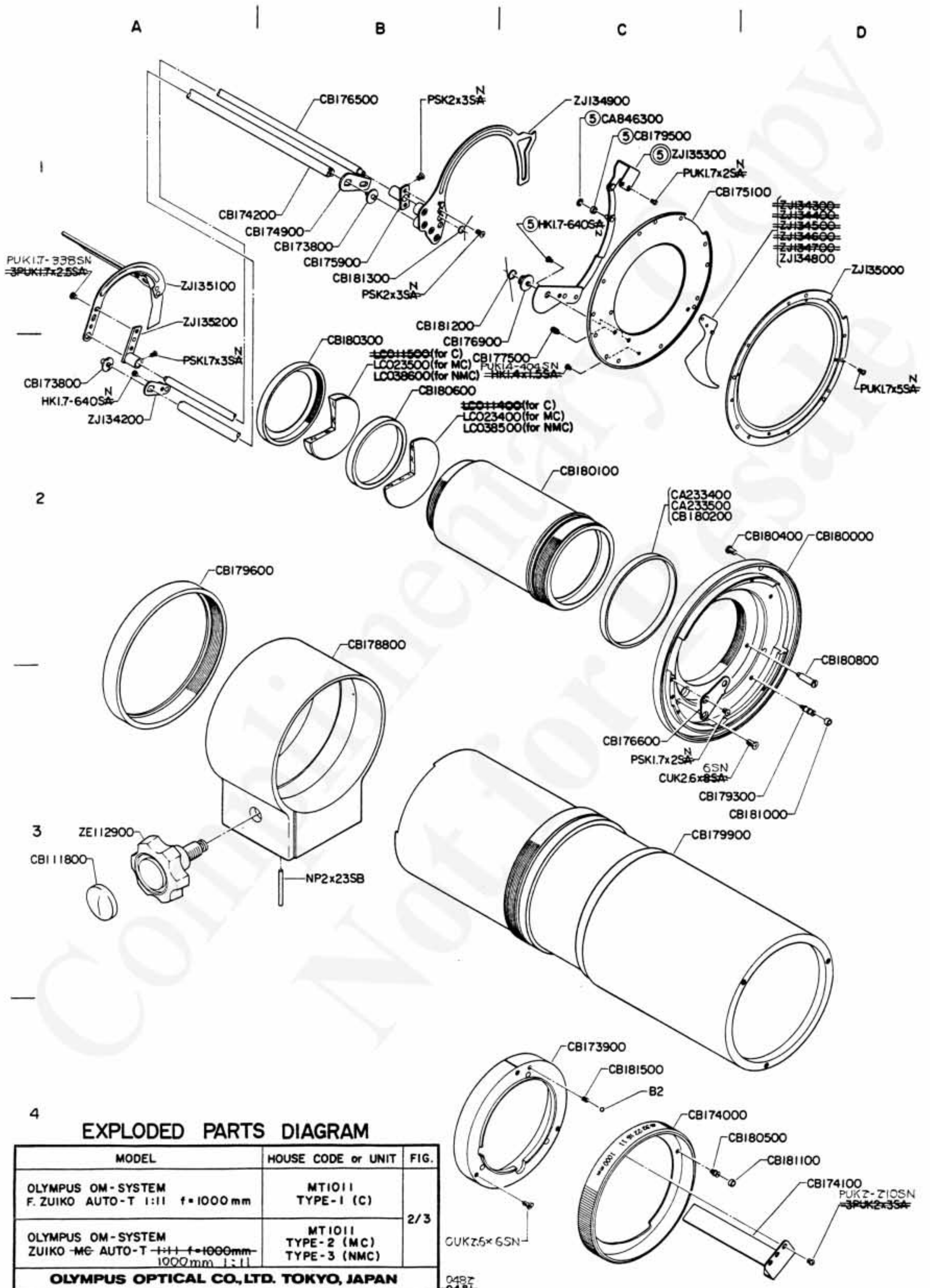
EXPLODED PARTS DIAGRAM

MODEL	HOUSE CODE or UNIT	FIG.
OLYMPUS OM-SYSTEM F. ZUIKO AUTO-T 1:1 f=1000 mm	MT1011 TYPE-1 (C)	1/3
OLYMPUS OM-SYSTEM ZUIKO-MG-AUTO-T 1:1 f=1000mm 1000mm 1:1	MT1011 TYPE-2 (MC) TYPE-3 (NMC)	
OLYMPUS OPTICAL CO., LTD. TOKYO, JAPAN		

0482
9481

NOTE: WHEN ORDERING FOR SPARE PARTS, PLEASE CLARIFY A MODEL, PARTS NUMBER AND QUANTITY.

<http://olympus.dementia.org/Hardware>



EXPLODED PARTS DIAGRAM

MODEL	HOUSE CODE or UNIT	FIG.
OLYMPUS OM-SYSTEM F. ZUIKO AUTO-T 1:1.1 f=1000mm	MT1011 TYPE-1 (C)	2/3
OLYMPUS OM-SYSTEM ZUIKO MG-AUTO-T 1:1.1 f=1000mm- 1000mm 1:1.1	MT1011 TYPE-2 (MC) TYPE-3 (NMC)	
OLYMPUS OPTICAL CO., LTD. TOKYO, JAPAN		

NOTE: WHEN ORDERING FOR SPARE PARTS, PLEASE CLARIFY A MODEL, PARTS NUMBER AND QUANTITY.

