

4 EXPLODED PARTS DIAGRAM

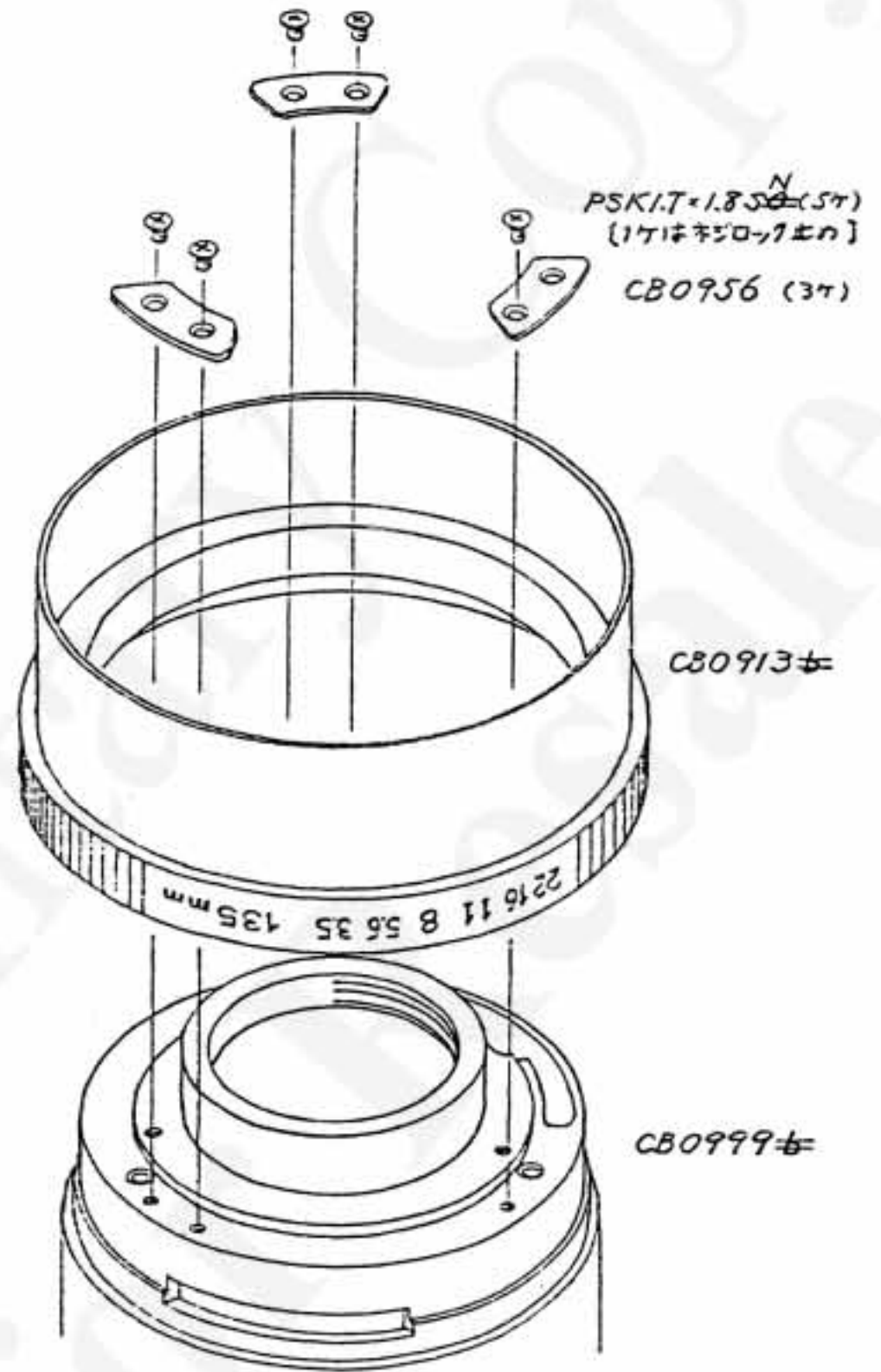
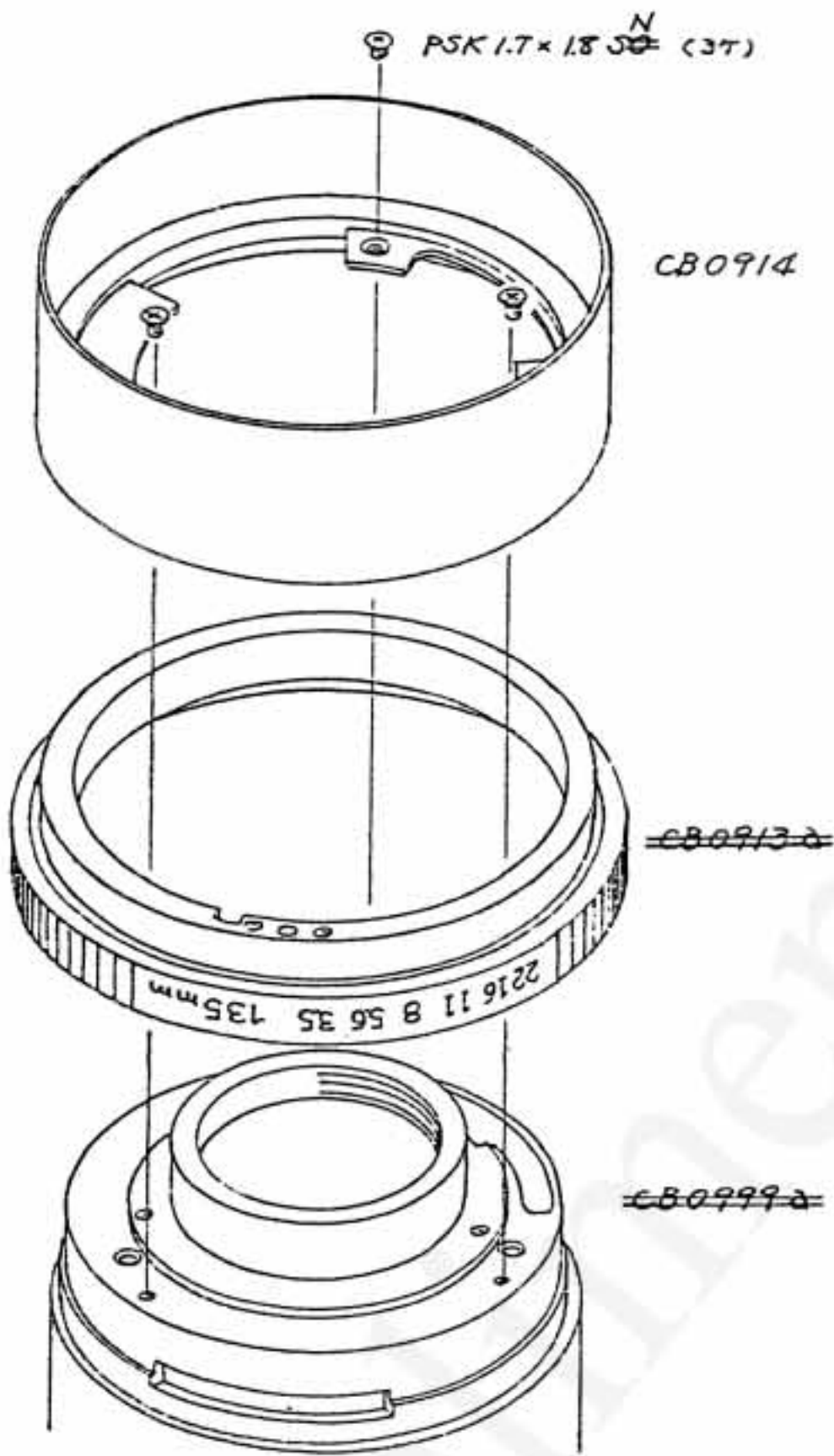
MODEL	HOUSE CODE or UNIT	FIG.
OLYMPUS OM-SYSTEM E-ZUIKO AUTO-T 1:3.5 f=135mm 135mm 1:3.5	MT1335-2	1/1
OLYMPUS OPTICAL CO., LTD. TOKYO, JAPAN		

NOTE: WHEN ORDERING FOR SPARE PARTS, PLEASE CLARIFY A MODEL, PARTS NUMBER AND QUANTITY

OLD

(4)

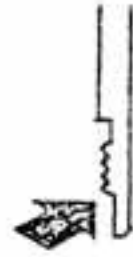
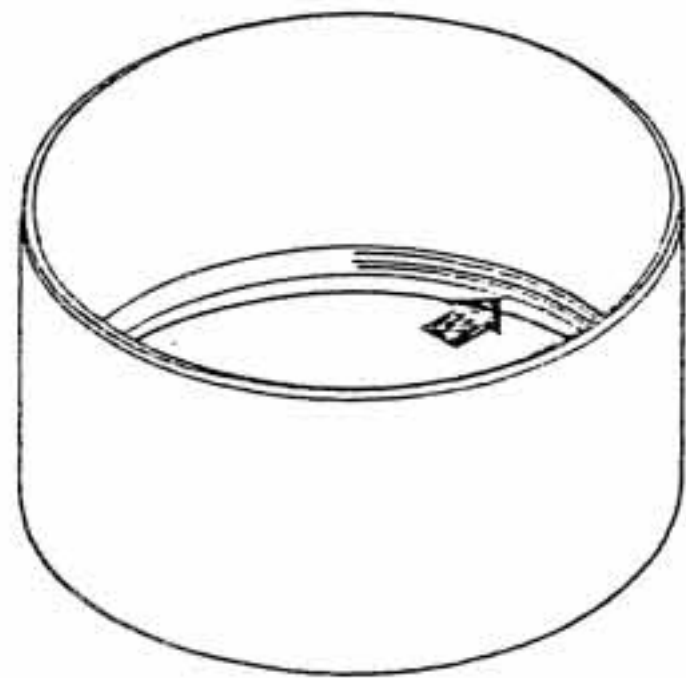
NEW



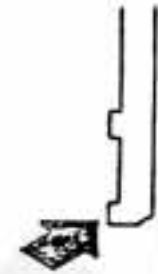
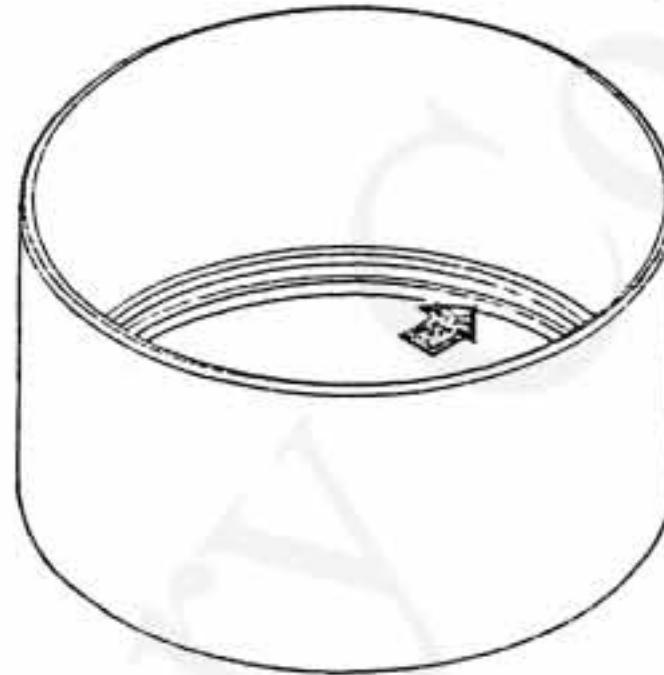
OLD

(1)

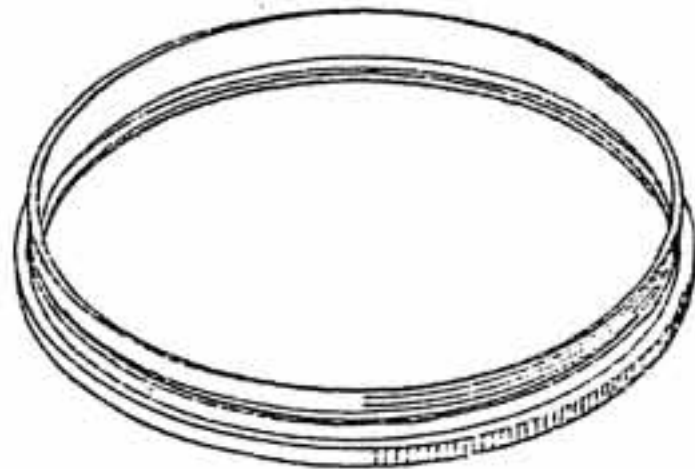
NEW



~~CB0909a~~



CB0909b

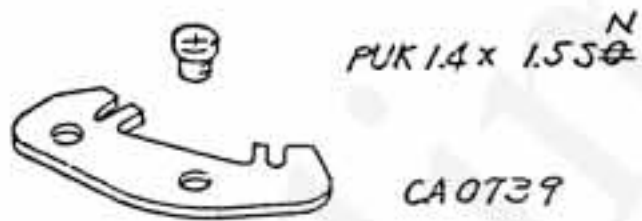


CB0910

OLD

(2)

NEW



PK1.4 x 1.55^N

CA0739



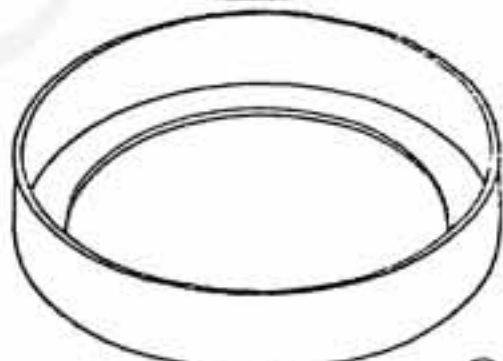
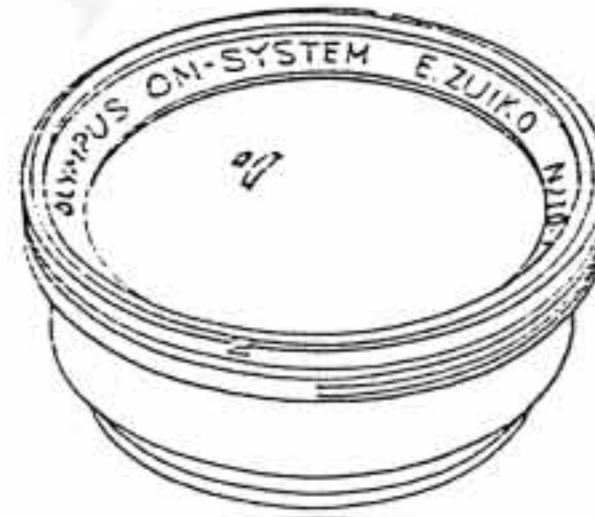
PSK 1.4 x 1.85^N

CB1552

OLD

(3)

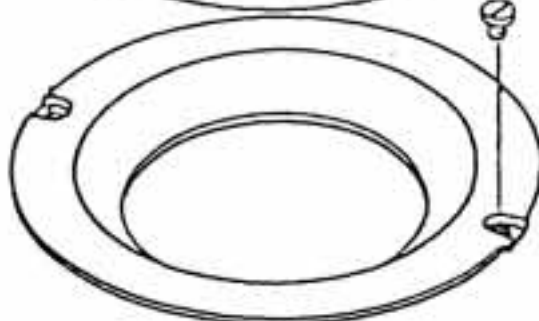
NEW



~~CB0900a~~

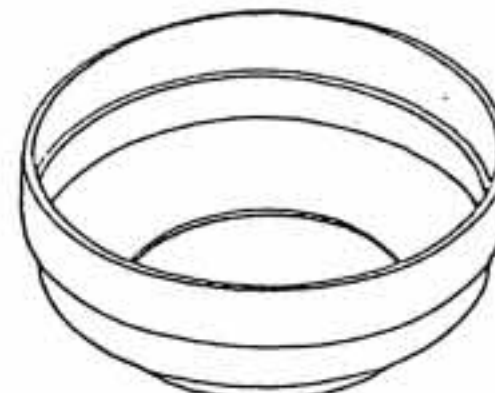


CB0900b



HK1.4-10ZSN

~~CB0936a~~



CB0936b

