

**4 EXPLODED PARTS DIAGRAM**

MODEL	HOUSE CODE or UNIT	FIG.
OLYMPUS OM-SYSTEM F. ZUIKO AUTO-T 1:5 f=200mm	MT-2050 TYPE-1 (C)	1/1
OLYMPUS OM-SYSTEM ZUIKO MG AUTO-T 1:5 f=200mm ZOOM 1:5	MT-2050 TYPE-2 (NMC)	

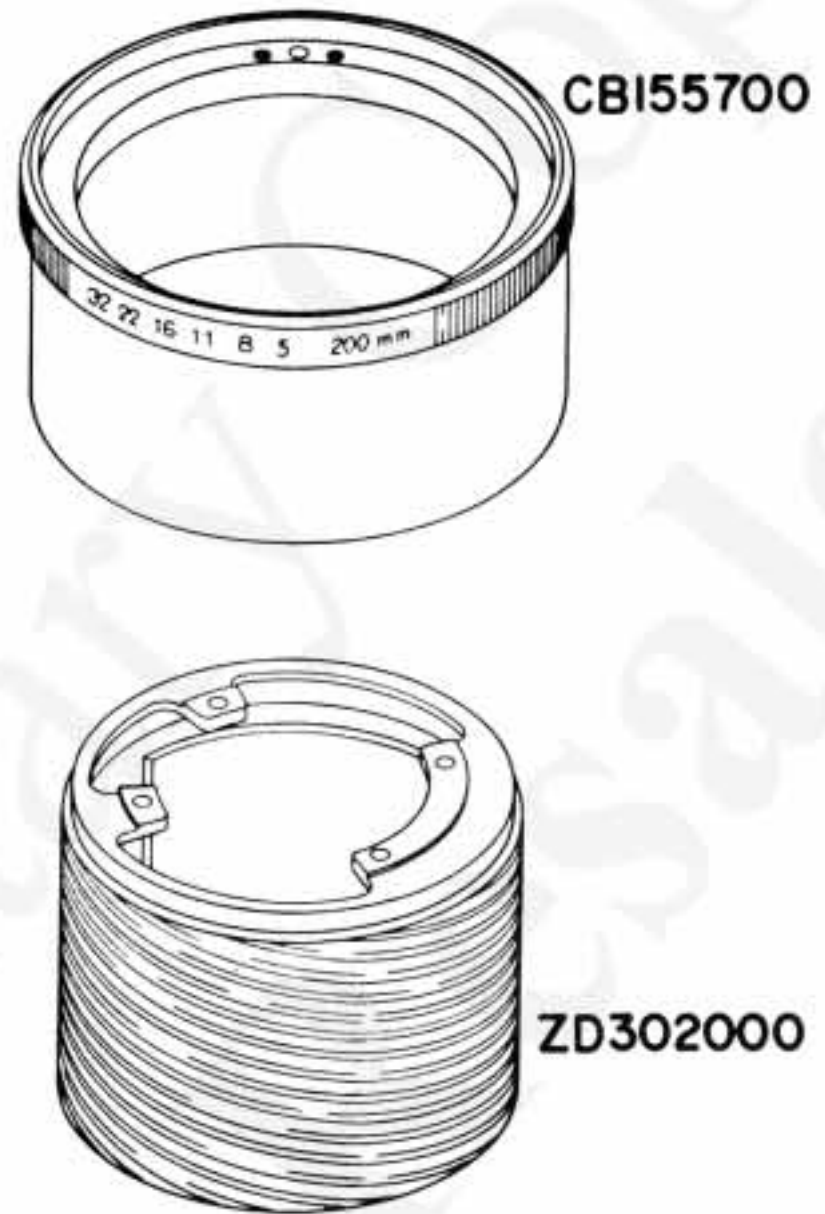
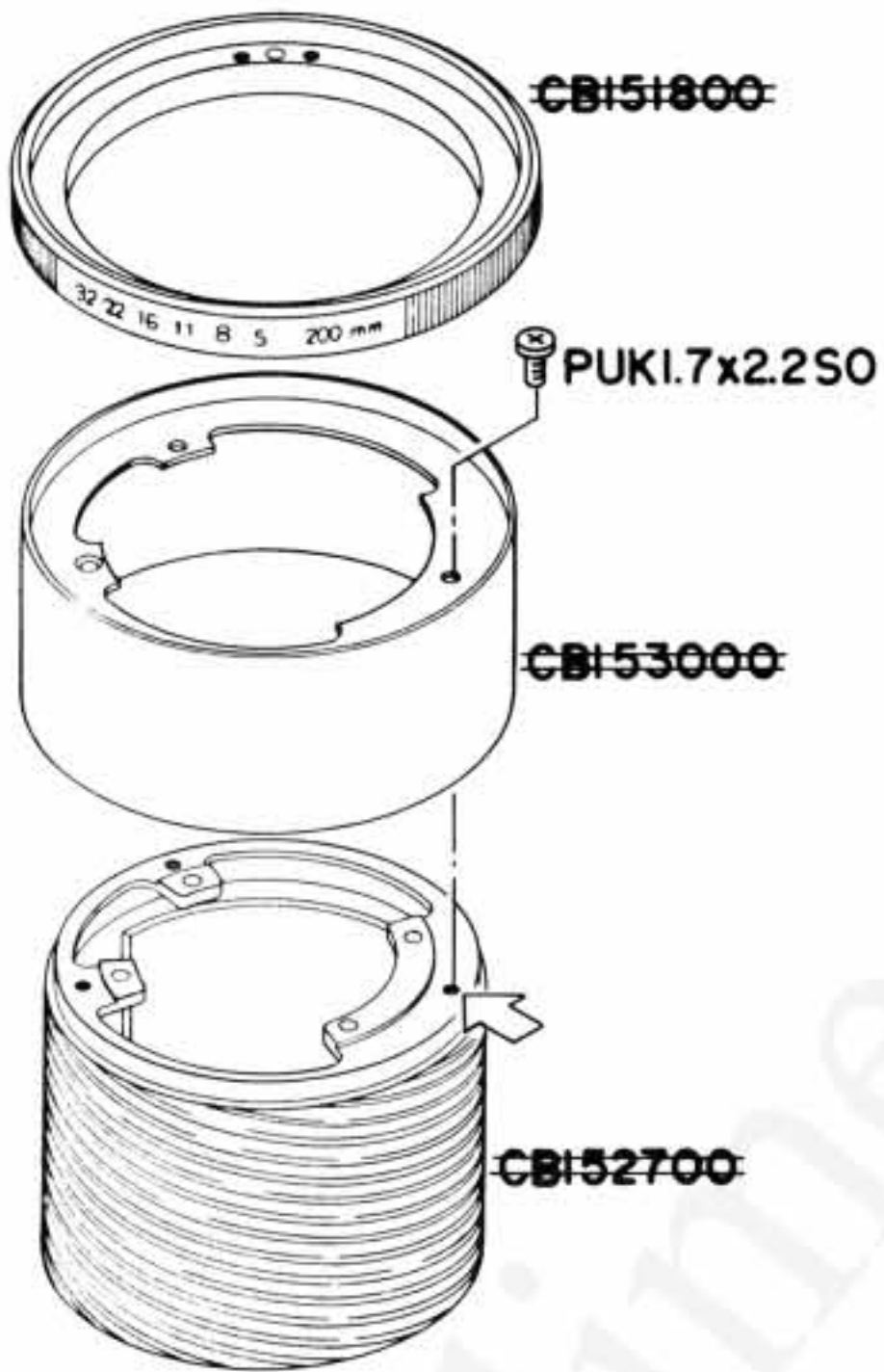
**OLYMPUS OPTICAL CO., LTD. TOKYO, JAPAN**

NOTE: WHEN ORDERING FOR SPARE PARTS, PLEASE CLARIFY A MODEL, PARTS NUMBER AND QUANTITY

OLD

<1>

NEW



OLD

<2>

NEW

