

4

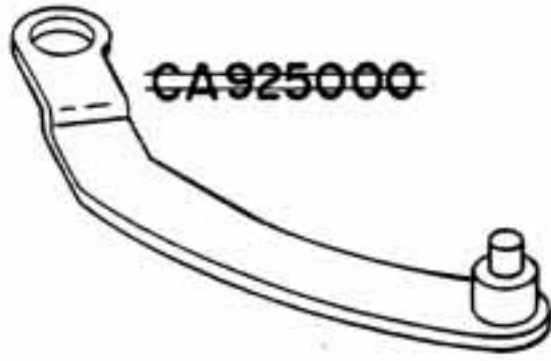
EXPLODED PARTS DIAGRAM

MODEL	HOUSE CODE or UNIT	FIG.
OLYMPUS OM-SYSTEM WIDE-ANGLE LENS F2 f=24mm ZUIKO AUTO-T 24mm 1:2	MW 2420	1/1
OLYMPUS OPTICAL CO., LTD. TOKYO, JAPAN		

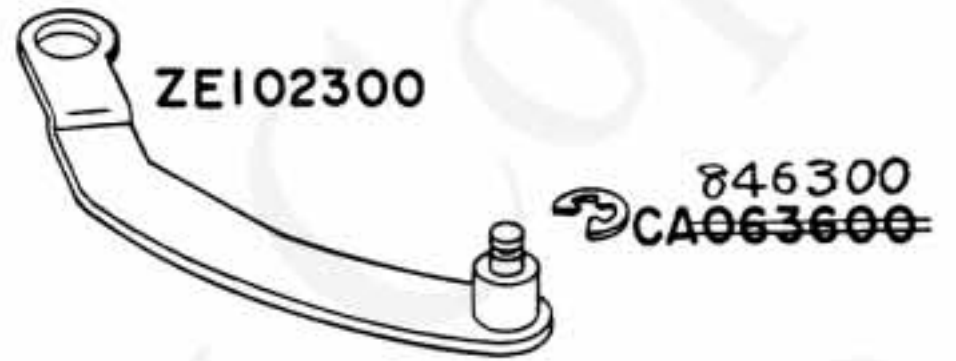
NOTE: WHEN ORDERING FOR SPARE PARTS, PLEASE CLARIFY A MODEL, PARTS NUMBER AND QUANTITY.

<1>

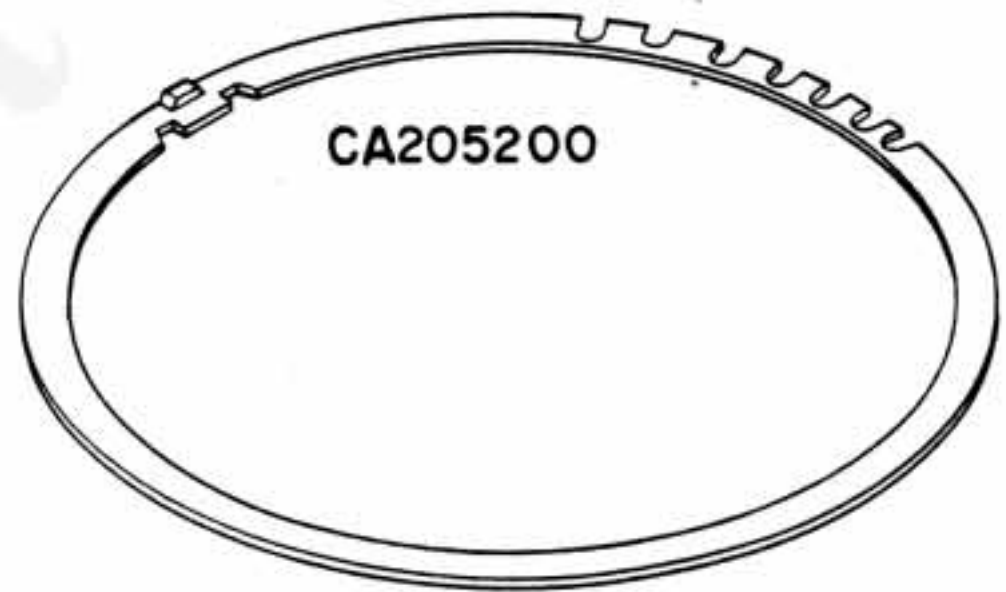
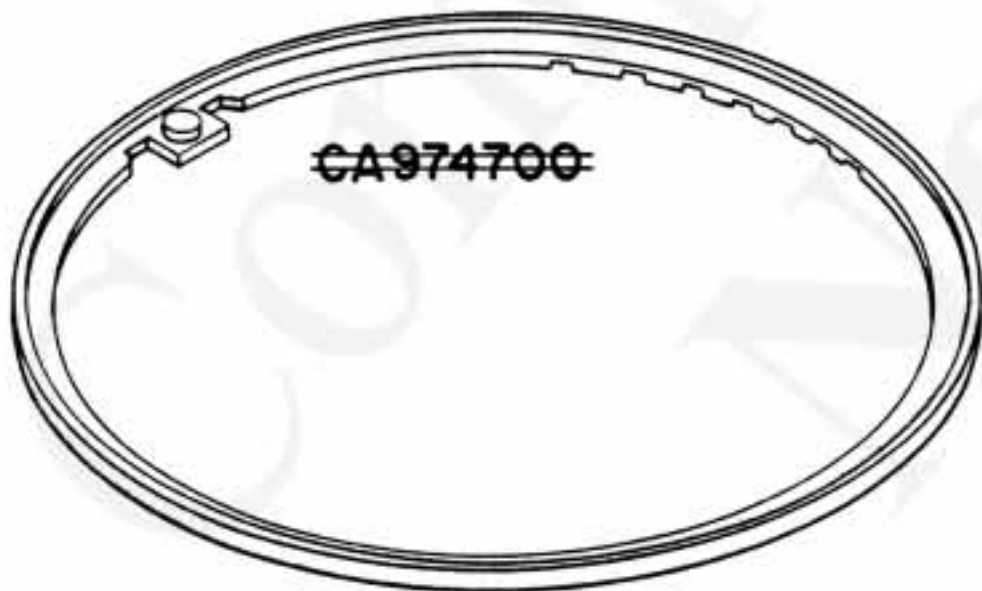
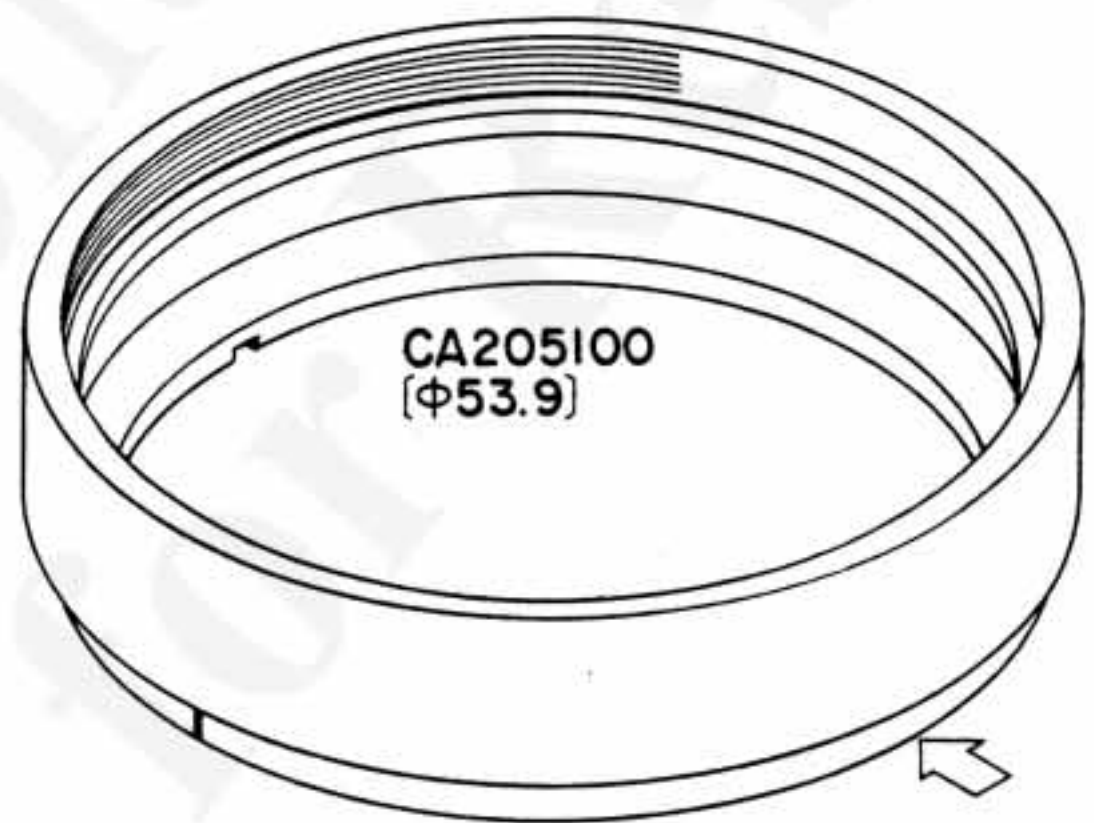
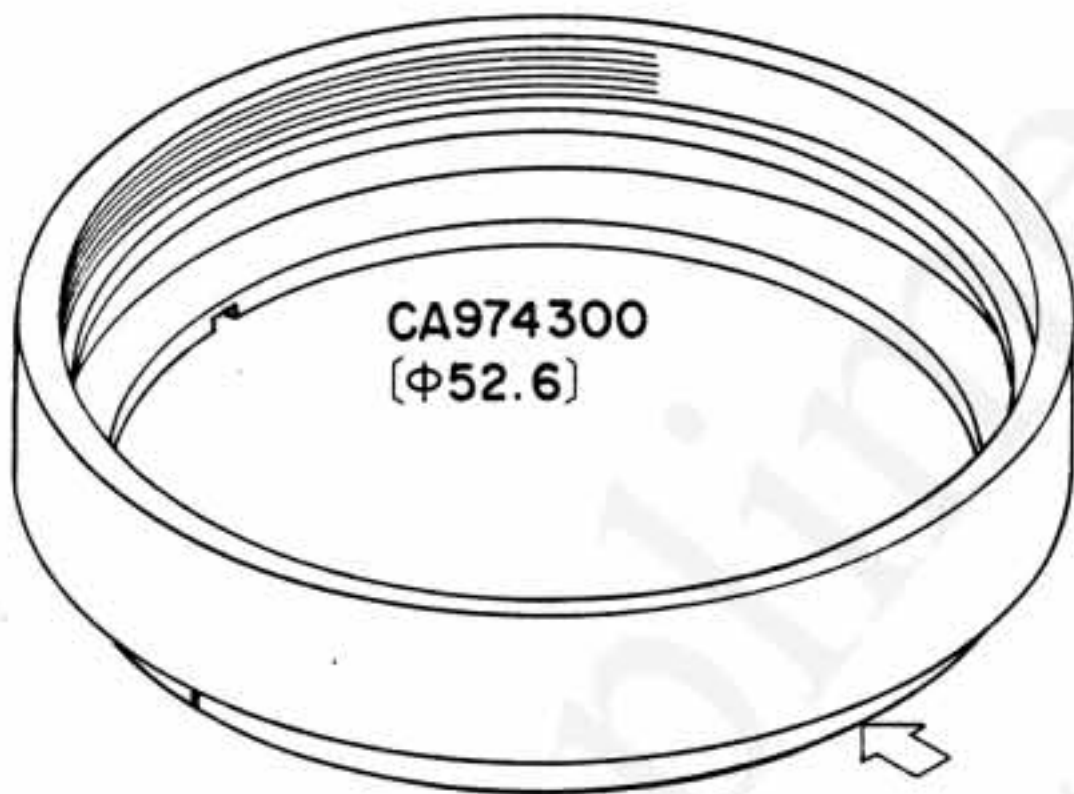
OLD

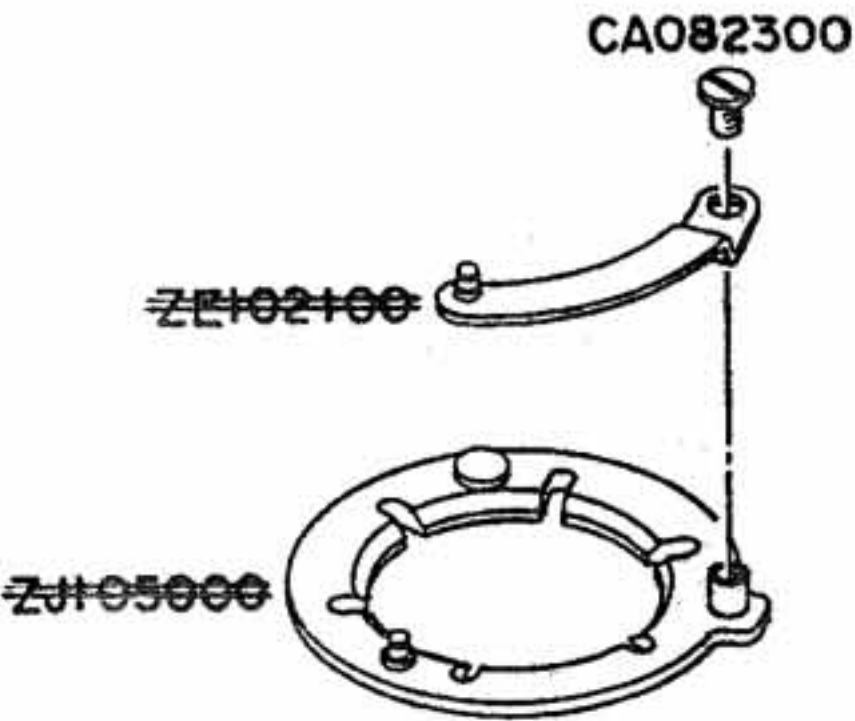



NEW



<2>



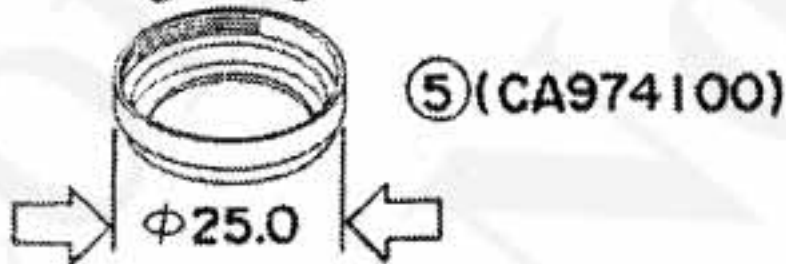
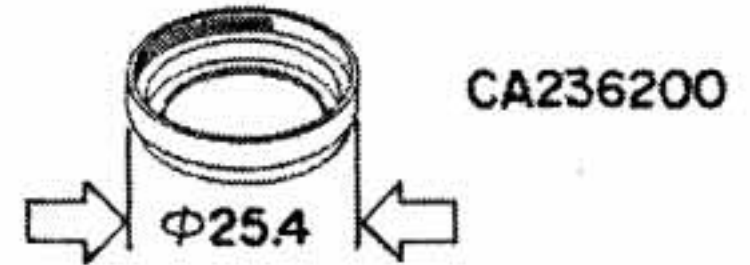
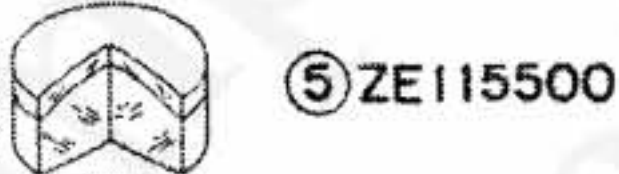
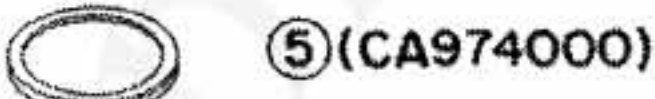
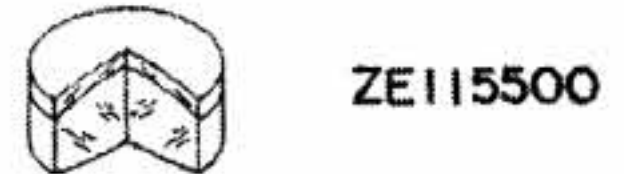
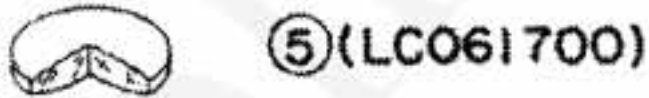
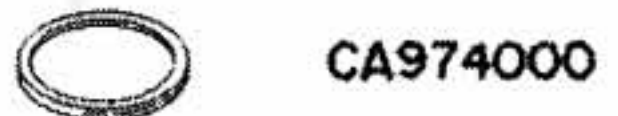
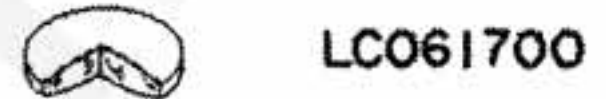
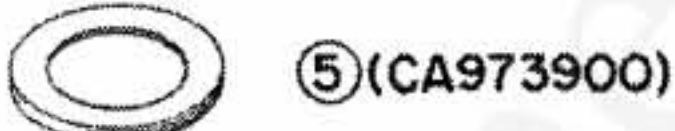
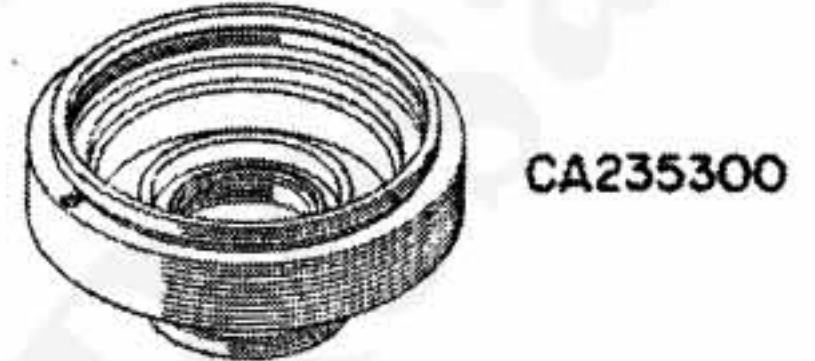
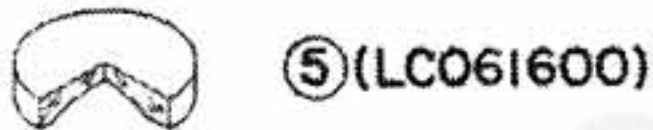
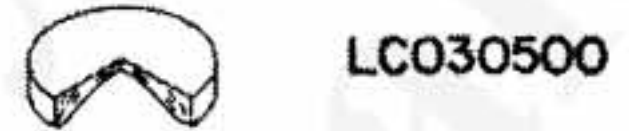
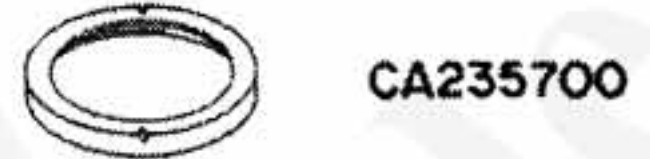
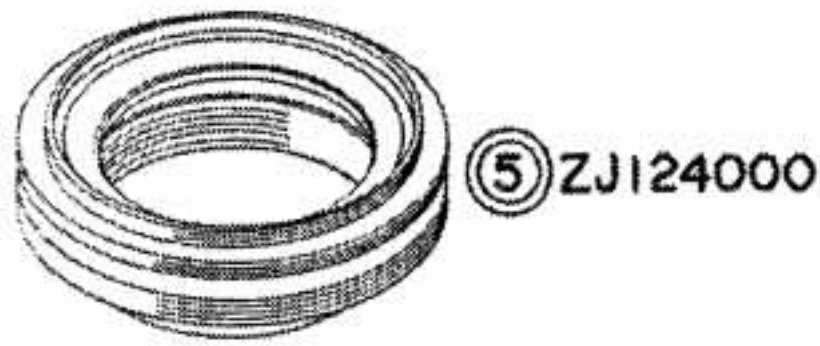
OLD	(3)	NEW
 <p>Exploded view of the old assembly. It shows a curved arm (CA082300) attached to a circular base (ZJ105000) via a pin (ZJ102100). The base has several mounting points around its perimeter.</p>		 <p>A single circular component (ZJ138500) that appears to be a replacement for the base of the old assembly. It has a similar shape and mounting points but lacks the arm and pin.</p>

Complimentary Not for Resale

<4>

OLD

NEW



<4>

OLD

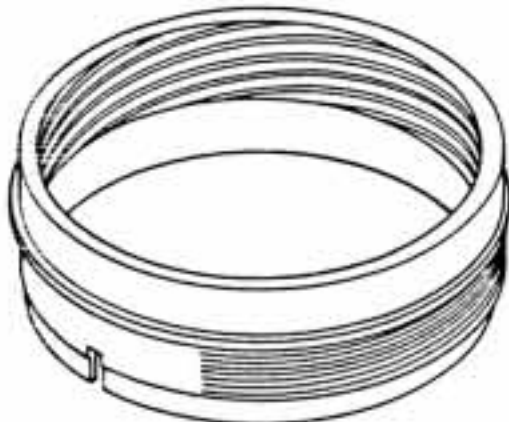
NEW



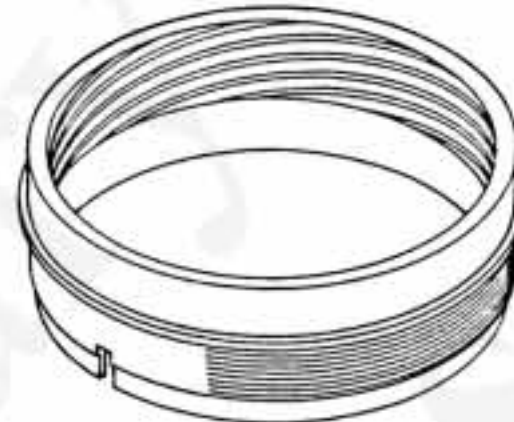
③ ZJ140000



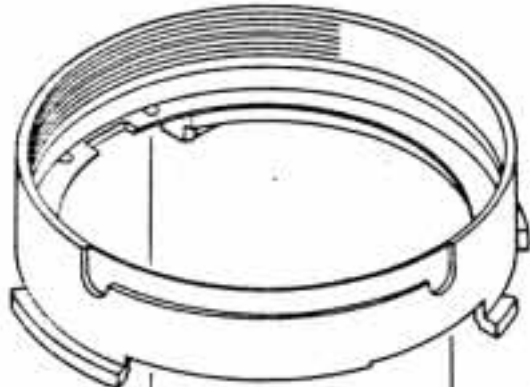
③ ZJ140000



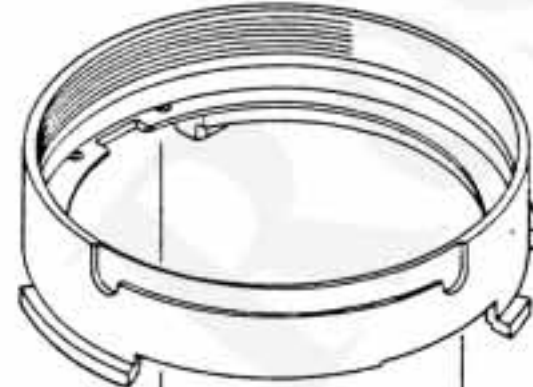
③ (CA974900)



③ (CA974900)



③ (CA974800)



③ (CA974800)

③ CA072200
③ PUK1.7x2S0

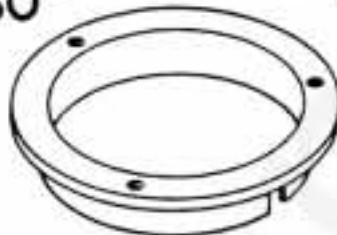


③ CA072300
③ PSK1.7x2S0

③ CA072200
③ PUK1.7x2S0



③ CA072300
③ PSK1.7x2S0



CA975000



CA235500



③ (CA973600)



③ (CA235400)



④ (CA974200)



CA236300



④ ZE115600



ZE126000



④ ZJ140100



ZJ140300



CA975500



CA235800