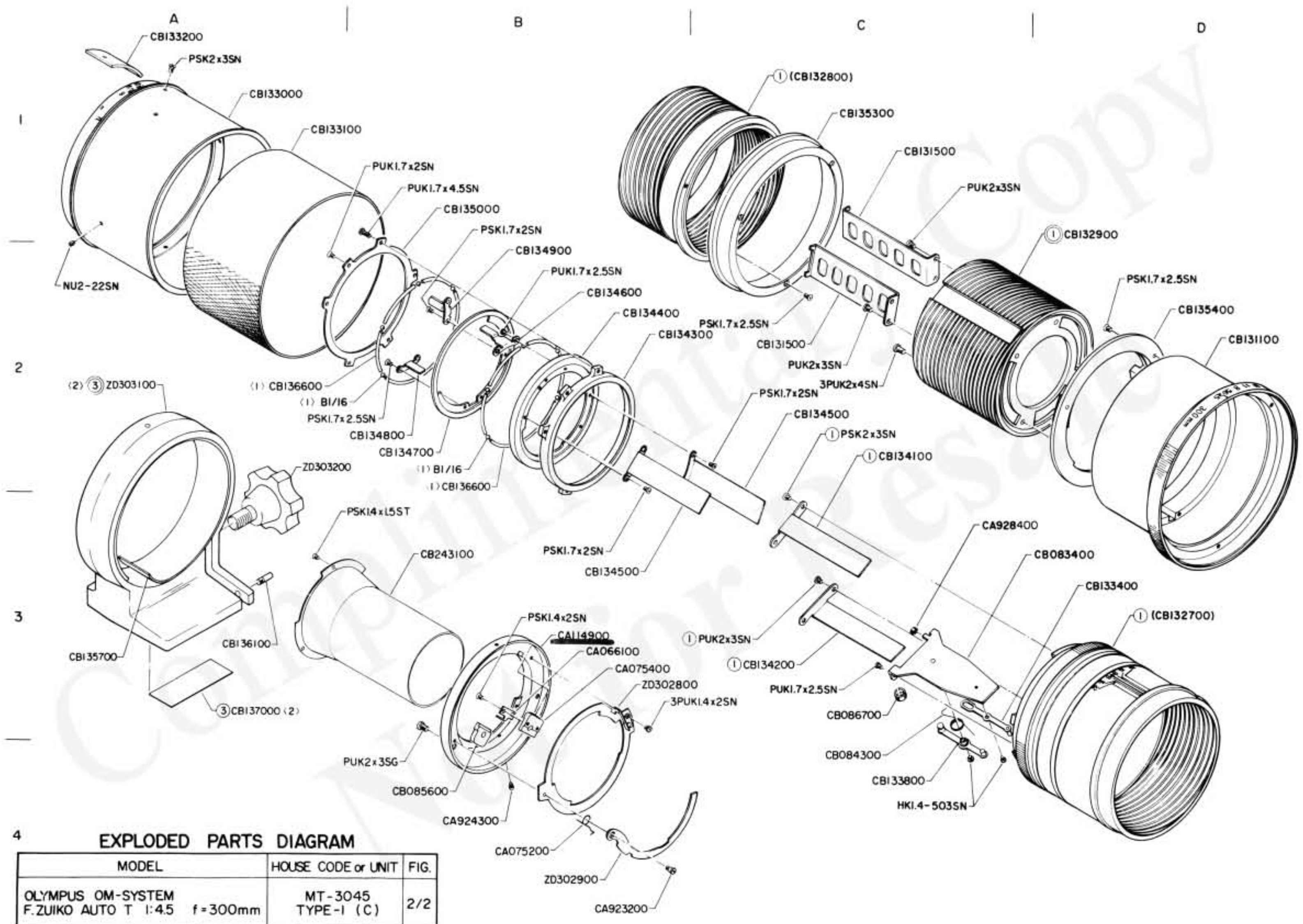


**EXPLODED PARTS DIAGRAM**

MODEL	HOUSE CODE or UNIT	FIG.
OLYMPUS OM-SYSTEM F. ZUIKO AUTO-T 1:4.5 f=300mm	MT-3045 TYPE-I (C)	1/2
OLYMPUS OPTICAL CO., LTD. TOKYO, JAPAN		

NOTE: WHEN ORDERING FOR SPARE PARTS, PLEASE CLARIFY A MODEL, PARTS NUMBER AND QUANTITY

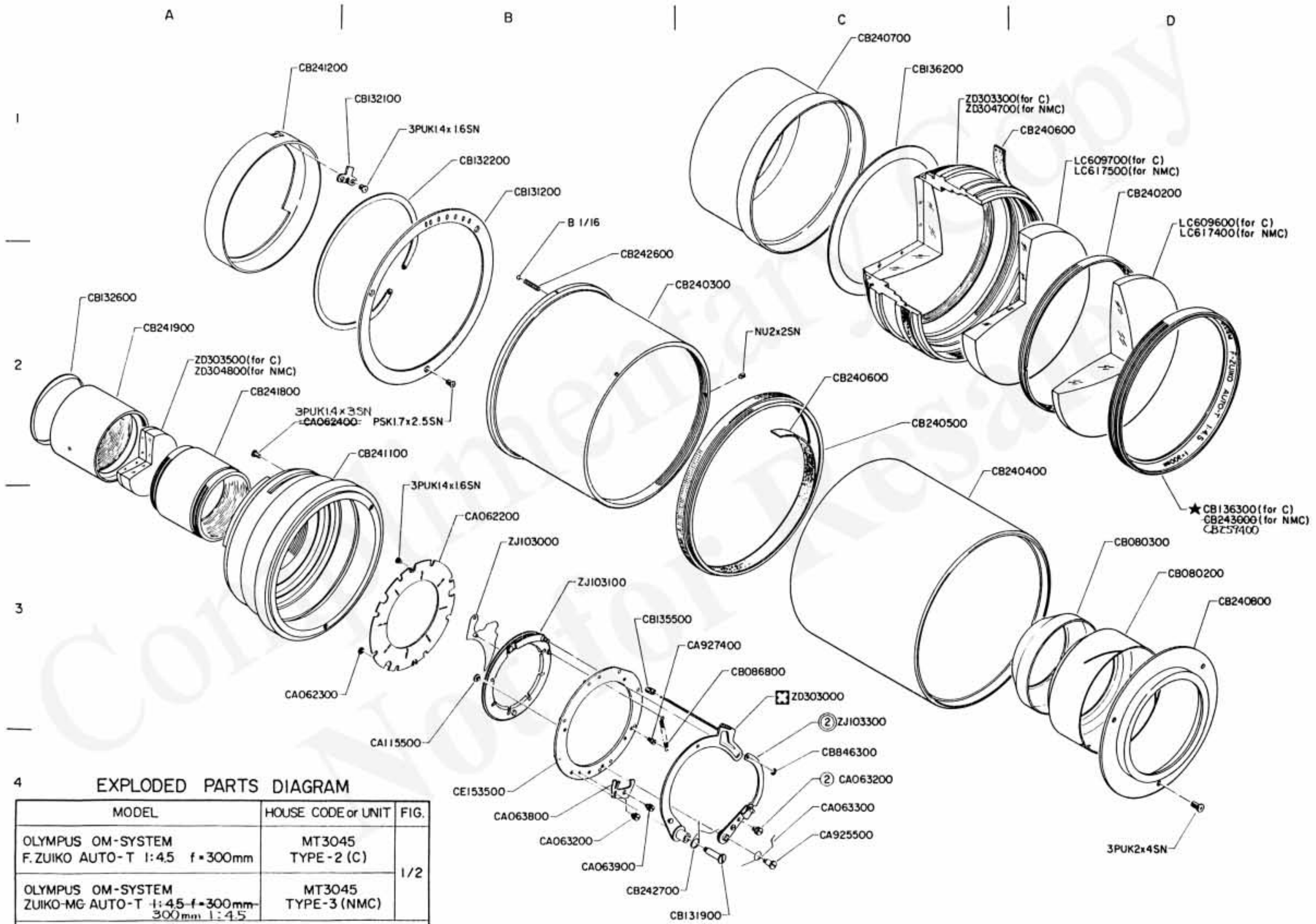


**4 EXPLODED PARTS DIAGRAM**

MODEL	HOUSE CODE or UNIT	FIG.
OLYMPUS OM-SYSTEM F.ZUIKO AUTO T 1:4.5 f=300mm	MT-3045 TYPE-I (C)	2/2
OLYMPUS OPTICAL CO., LTD. TOKYO, JAPAN		

NOTE: WHEN ORDERING FOR SPARE PARTS, PLEASE CLARIFY A MODEL, PARTS NUMBER AND QUANTITY



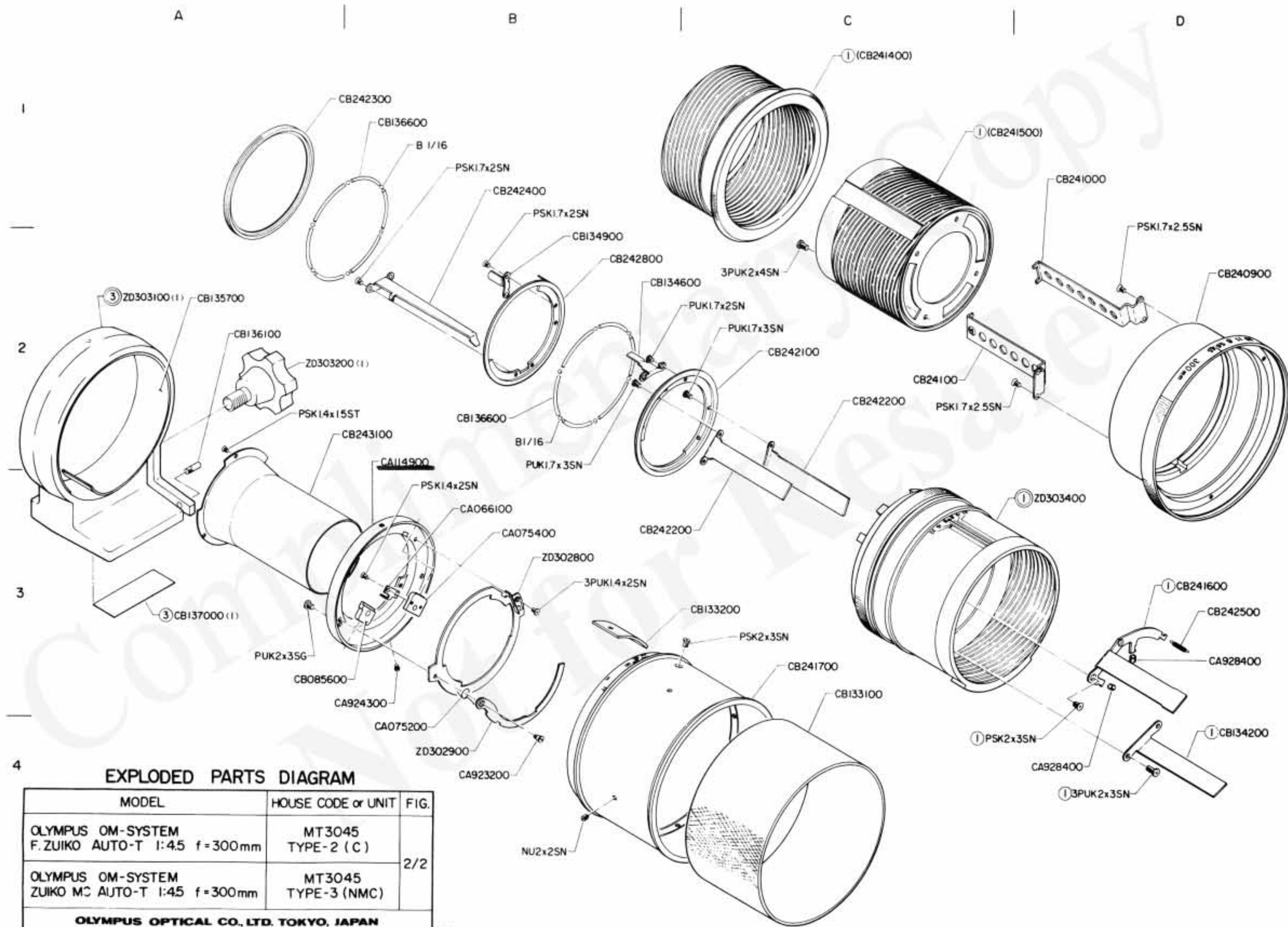


4 EXPLODED PARTS DIAGRAM

MODEL	HOUSE CODE or UNIT	FIG.
OLYMPUS OM-SYSTEM F.ZUIKO AUTO-T 1:4.5 f=300mm	MT3045 TYPE-2 (C)	1/2
OLYMPUS OM-SYSTEM ZUIKO-MG AUTO-T 1:4.5-f=300mm- 300mm 1:4.5	MT3045 TYPE-3 (NMC)	
<b>OLYMPUS OPTICAL CO., LTD. TOKYO, JAPAN</b>		

Q681  
-0481-

NOTE WHEN ORDERING FOR SPARE PARTS, PLEASE CLARIFY A MODEL, PARTS NUMBER AND QUANTITY.



**EXPLODED PARTS DIAGRAM**

MODEL	HOUSE CODE or UNIT	FIG.
OLYMPUS OM-SYSTEM F.ZUIKO AUTO-T 1:4.5 f=300mm	MT3045 TYPE-2 (C)	2/2
OLYMPUS OM-SYSTEM ZUIKO MC AUTO-T 1:4.5 f=300mm	MT3045 TYPE-3 (NMC)	
<b>OLYMPUS OPTICAL CO., LTD. TOKYO, JAPAN</b>		

0481

NOTE: WHEN ORDERING FOR SPARE PARTS, PLEASE CLARIFY A MODEL, PARTS NUMBER AND QUANTITY.