

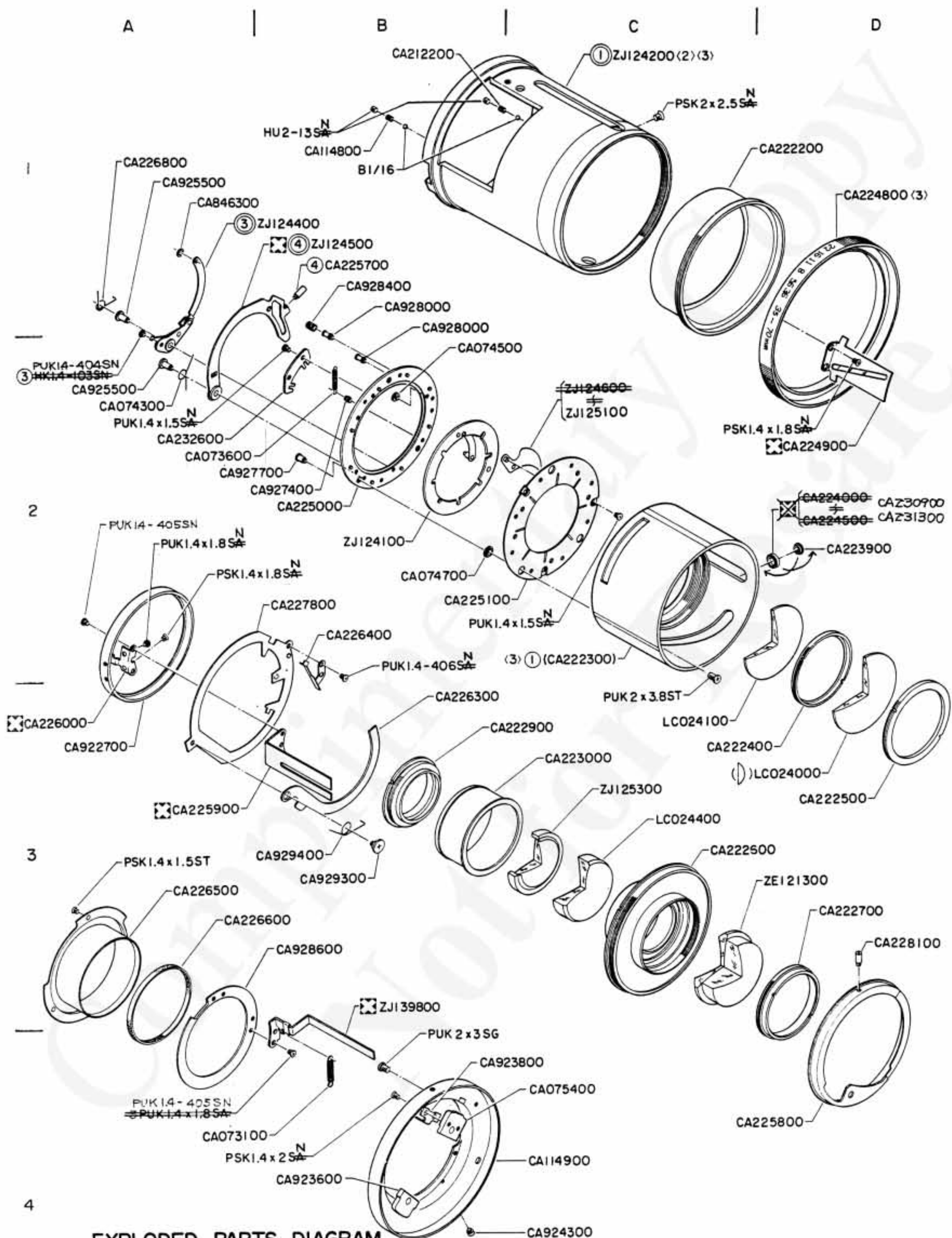
EXPLODED PARTS DIAGRAM

MODEL	HOUSE CODE or UNIT	FIG.
OLYMPUS OM-SYSTEM ZOOM LENS F3.6 f=35-70mm	MZ 3570 TYPE (1)	1/2

OLYMPUS OPTICAL CO., LTD. TOKYO, JAPAN

1281

NOTE: WHEN ORDERING FOR SPARE PARTS, PLEASE CLARIFY A MODEL, PARTS NUMBER AND QUANTITY.

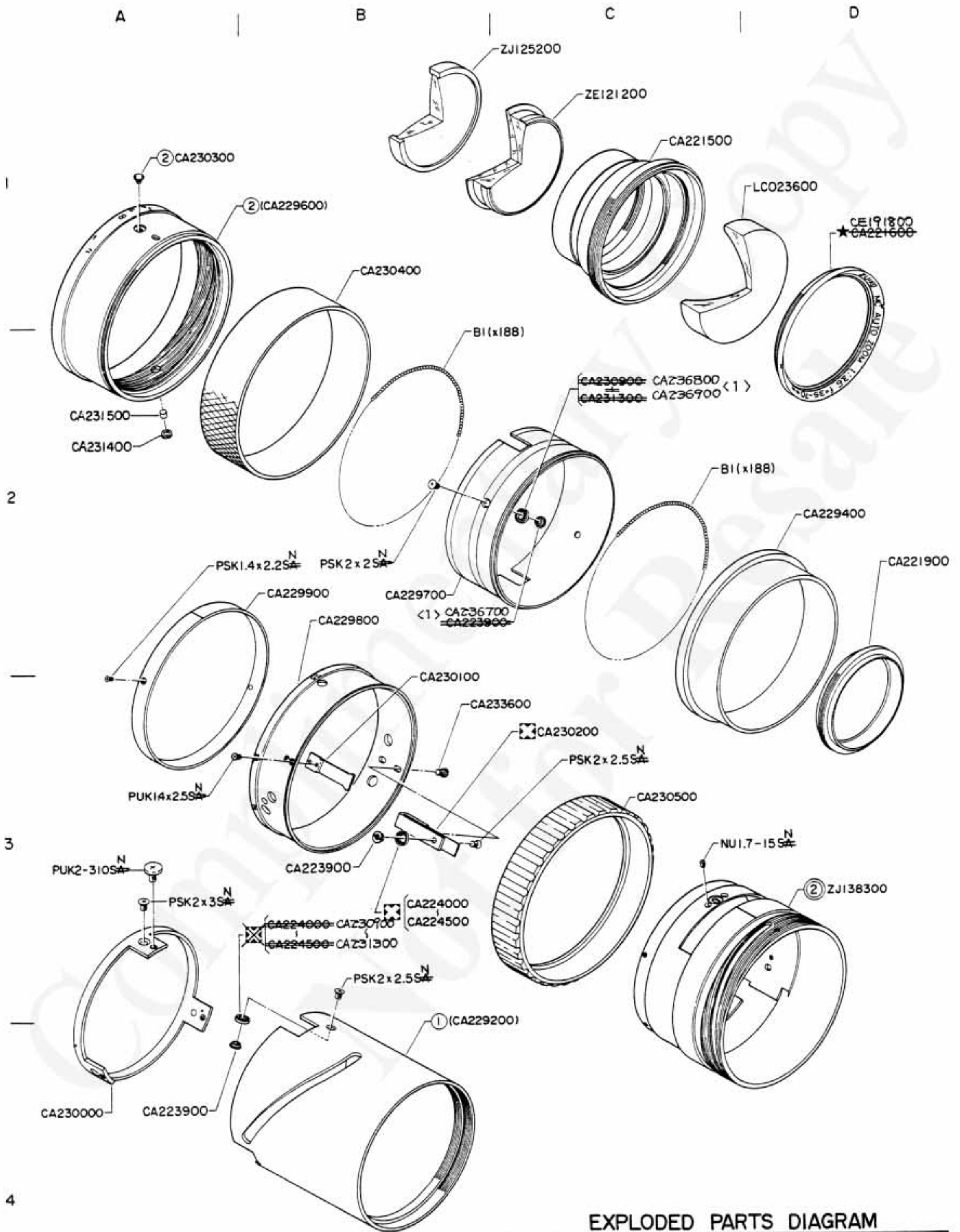


EXPLODED PARTS DIAGRAM

MODEL	HOUSE CODE or UNIT	FIG.
OLYMPUS OM-SYSTEM ZOOM LENS F3.6 f=35-70mm	MZ 3570 TYPE (1)	2/2
OLYMPUS OPTICAL CO., LTD. TOKYO, JAPAN		

048Z

NOTE: WHEN ORDERING FOR SPARE PARTS, PLEASE CLARIFY A MODEL, PARTS NUMBER AND QUANTITY.



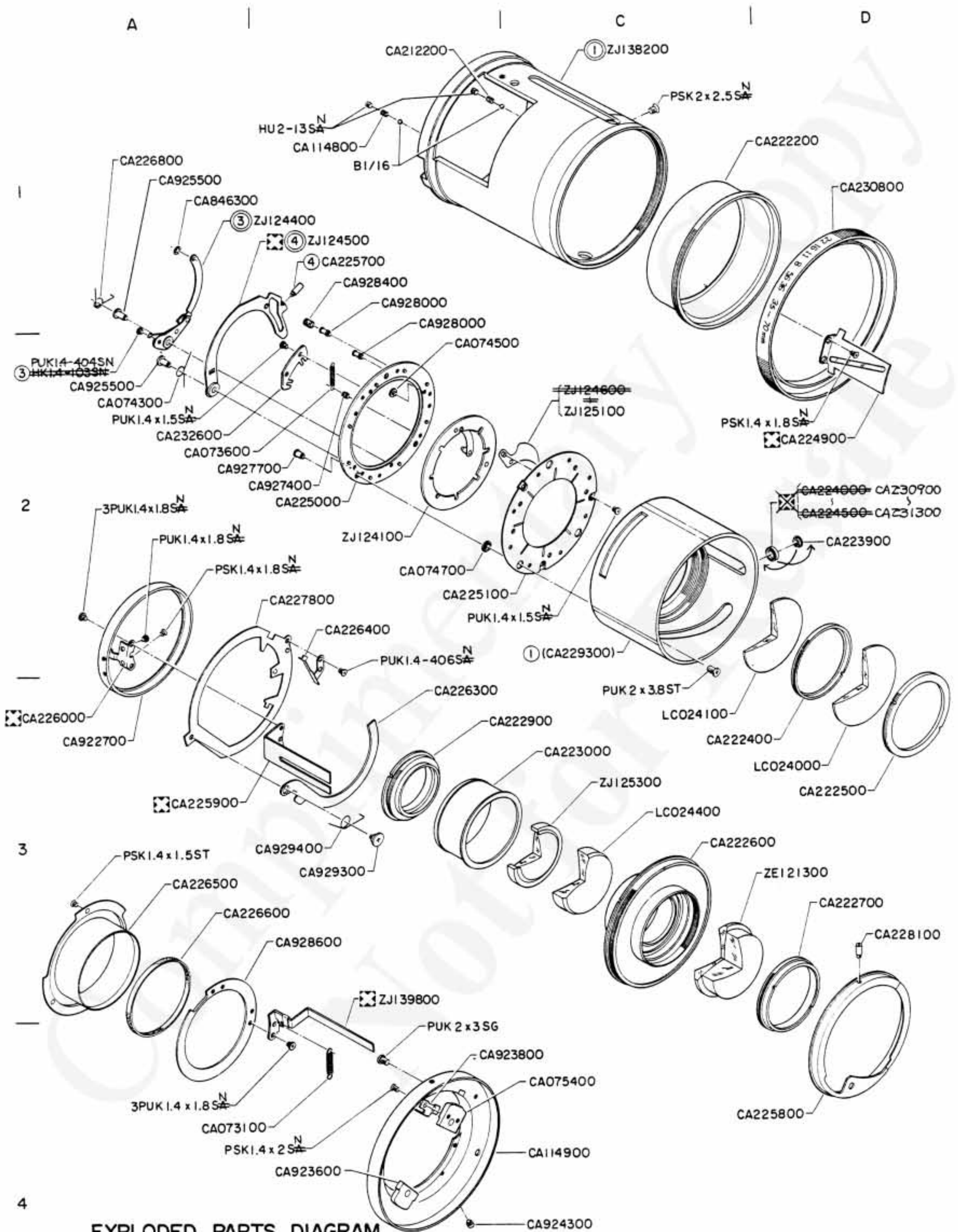
EXPLODED PARTS DIAGRAM

MODEL	HOUSE CODE or UNIT	FIG.
OLYMPUS OM-SYSTEM ZUIKO AUTO ZOOM 35~70mm 1:3.6 -ZOOM LENS F3.6 f=35-70mm	MZ 3570 (TYPE-2)	1/2
OLYMPUS OPTICAL CO., LTD. TOKYO, JAPAN		

1281

NOTE: WHEN ORDERING FOR SPARE PARTS, PLEASE CLARIFY A MODEL, PARTS NUMBER AND QUANTITY.

<http://olympus.dementia.org/Hardware>



EXPLODED PARTS DIAGRAM

MODEL	HOUSE CODE or UNIT	FIG.
OLYMPUS OM-SYSTEM ZUIKO AUTO ZOOM 35-75mm 1:3.6 ZOOM LENS F3.6 1-35-70mm	MZ 3570 (TYPE-2)	2/2
OLYMPUS OPTICAL CO., LTD. TOKYO, JAPAN		

1281

NOTE: WHEN ORDERING FOR SPARE PARTS, PLEASE CLARIFY A MODEL, PARTS NUMBER AND QUANTITY.

OLD

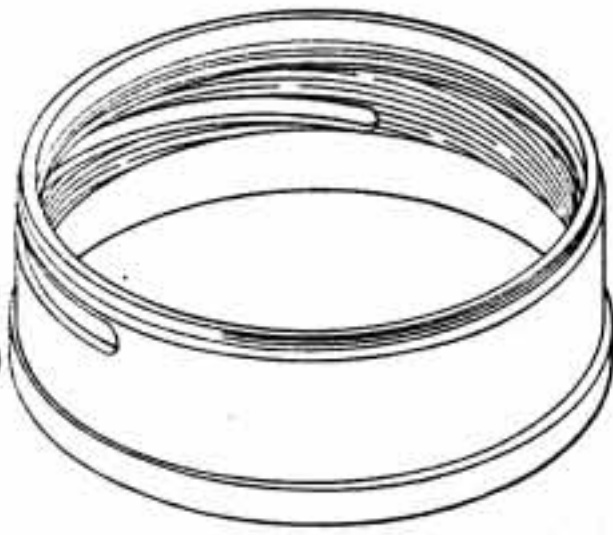
<1>

NEW

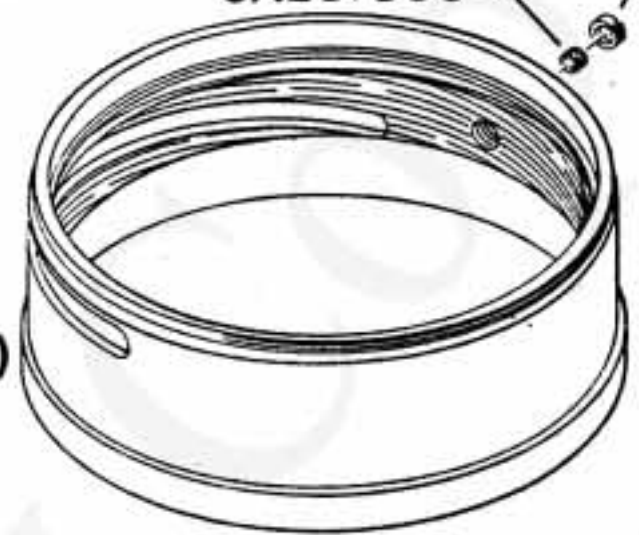
CA231400

CA231500

② (CA223200)



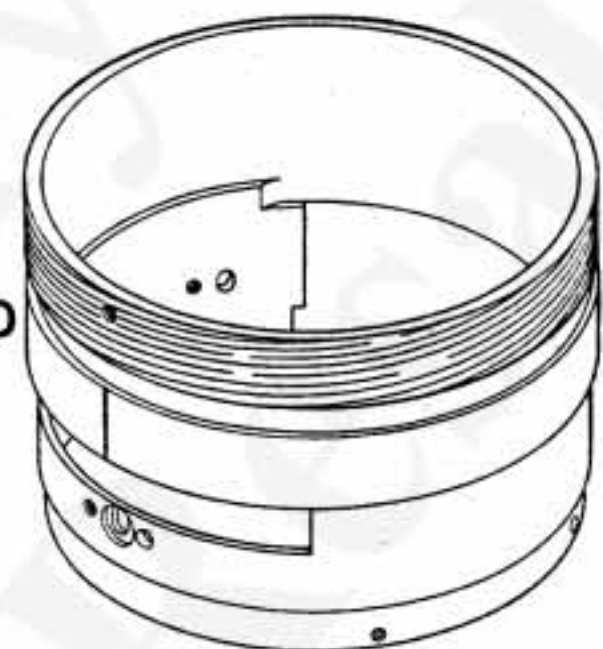
② (CA223200)



② ZJ124300



② ZE103300



<2>

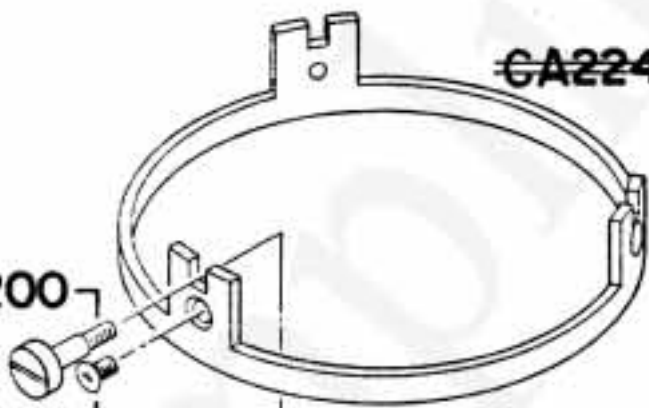
~~CA224700~~

CA224700

[2ネジ]

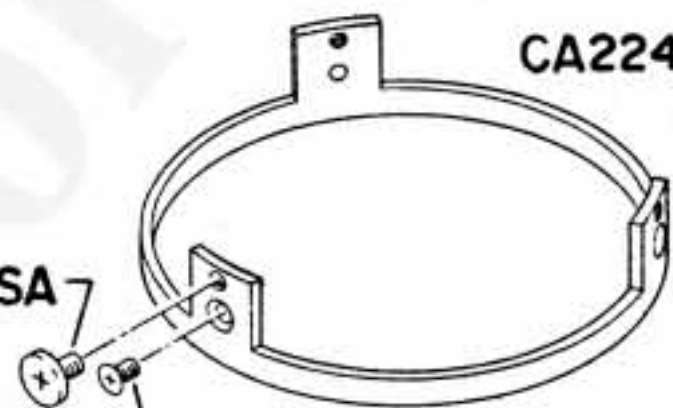
CA228200

PSK2x3SA



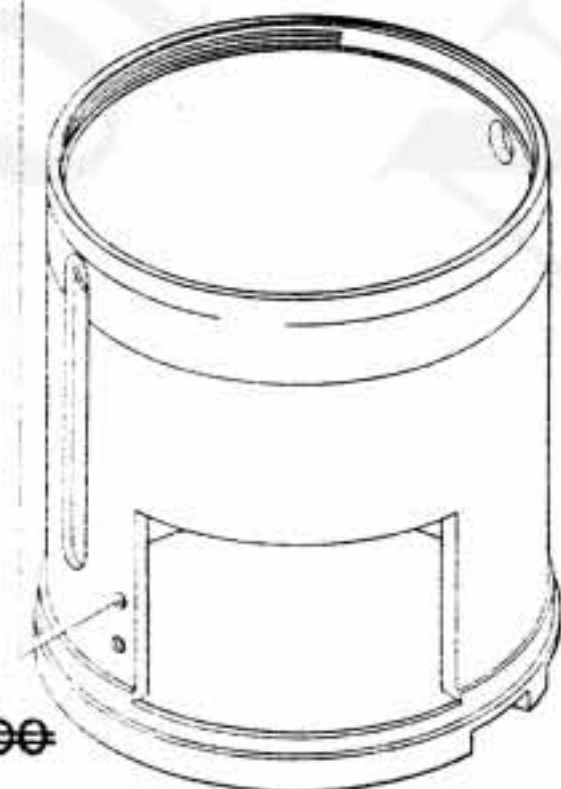
PUK2-208SA

PSK2x3SA



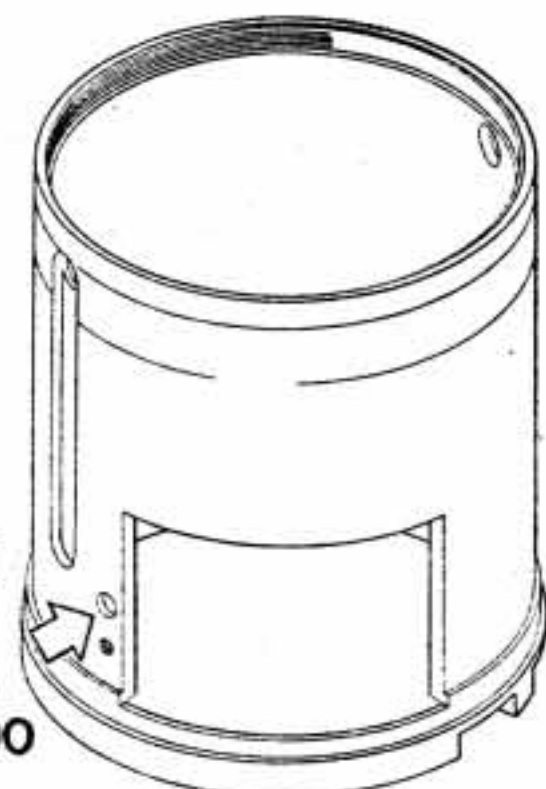
[1ネジ]

~~ZJ124200~~



[φ2.6メクラ穴]

ZJ124200

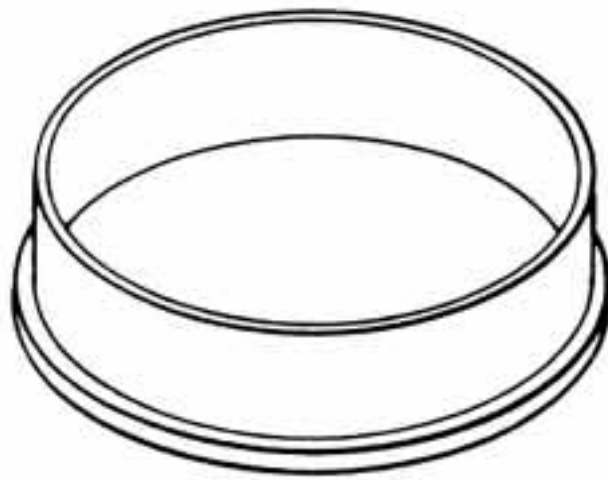


TYPE-1

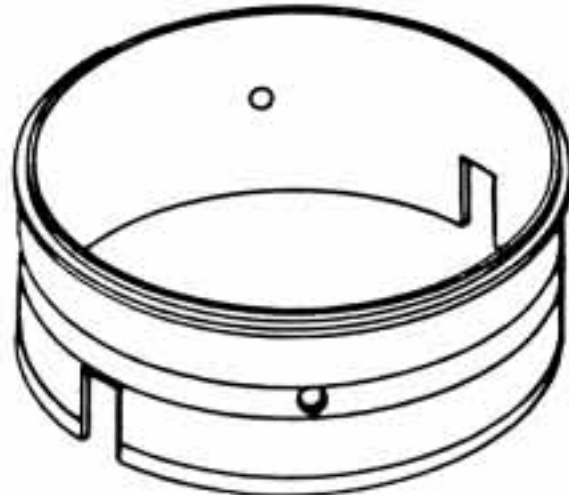
<3>

TYPE-2

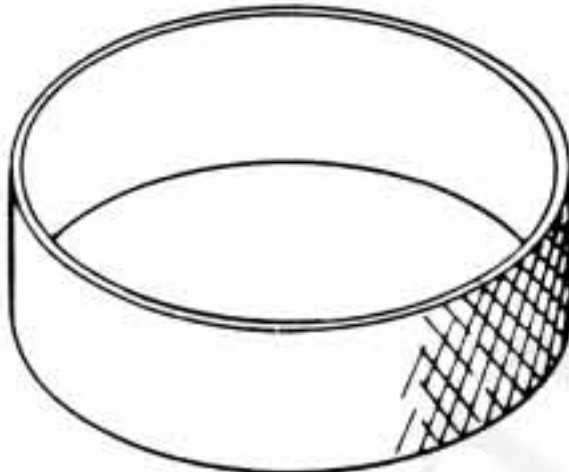
CA223100
[63.4ネジ]



CA223400
[内径57.2]
[全長23.7]



CB094100
[外径59.8]



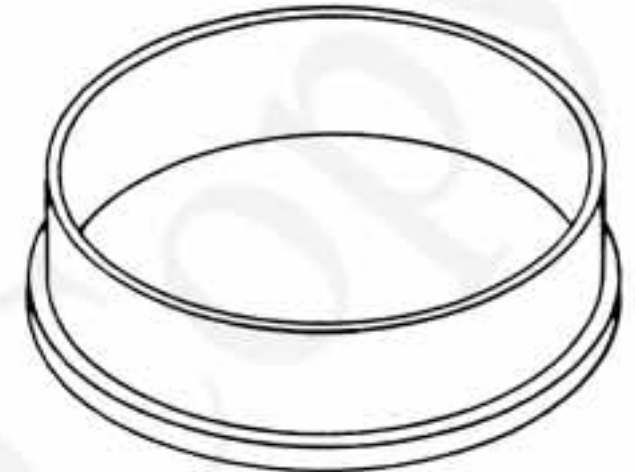
CA223300



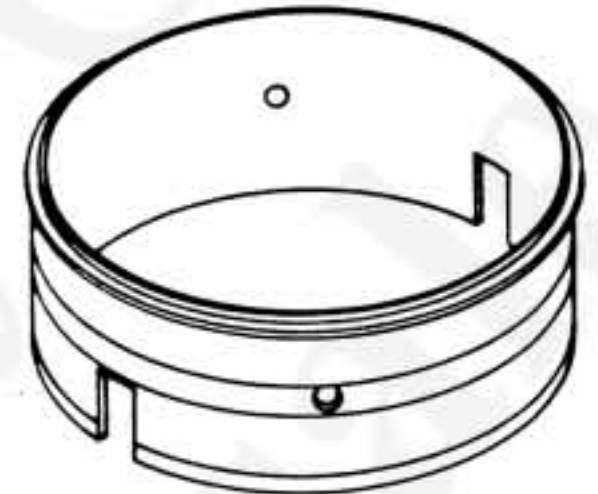
② HKI.7-433SN

② ZE103300
[ヘリコイドネジ径62.2]
[内径57]

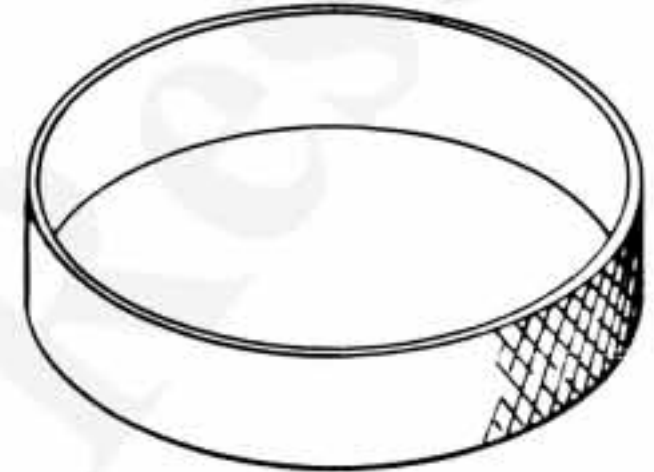
CA229400
[65ネジ]



CA229700
[内径57.8]
[全長24.6]



CA230400
[外径66.9]



② ZJ138300
[ヘリコイドネジ径63.8]
[内径57.6]

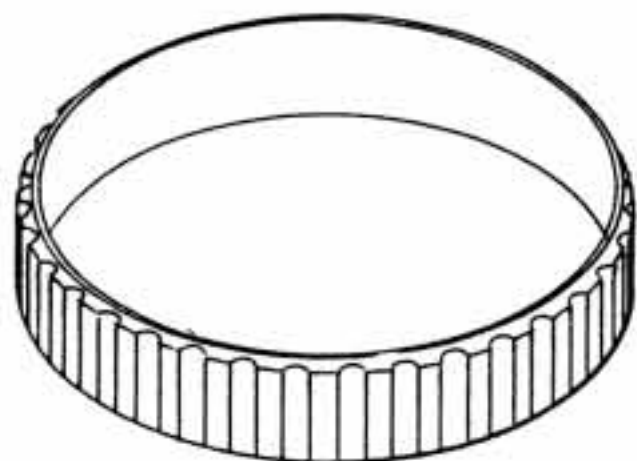
② CA230300



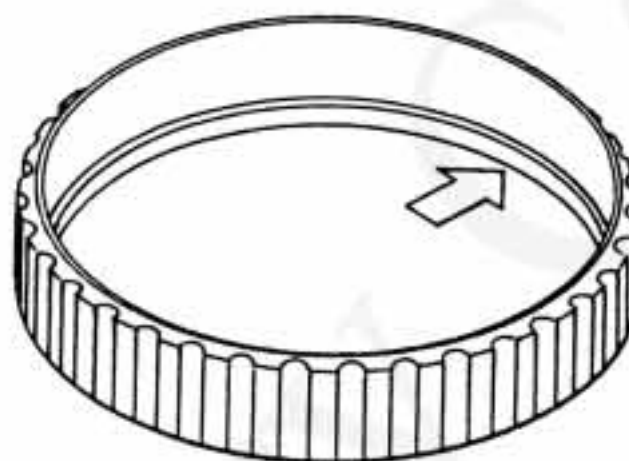
<3>

TYPE-1

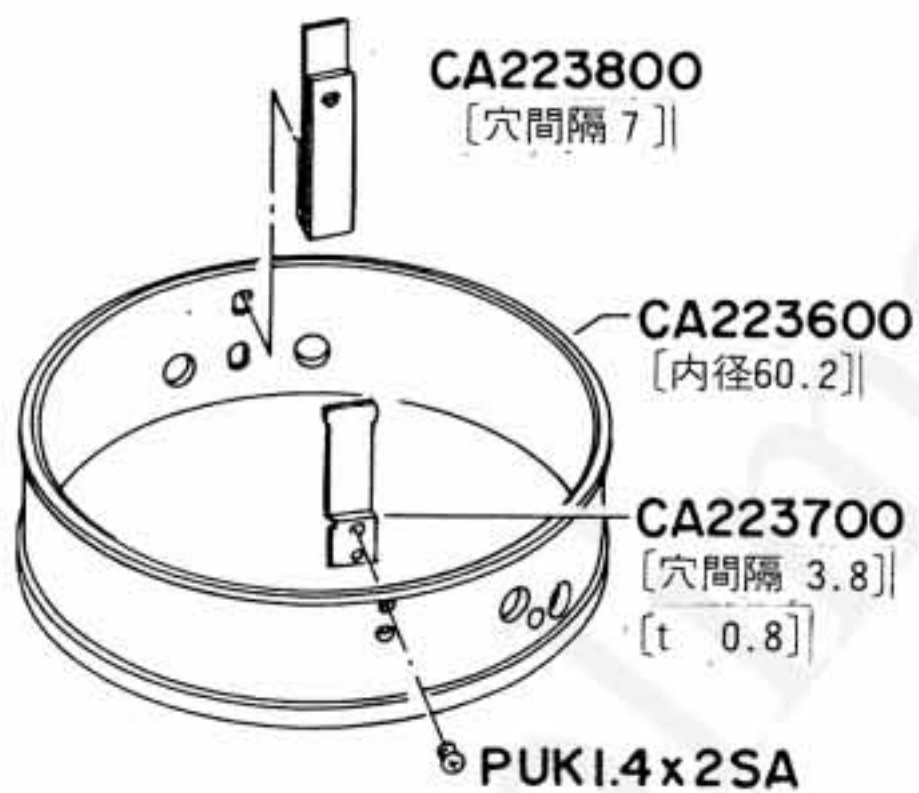
TYPE-2



CA233800
[外径62.2]



CA230500
[外径66.6]

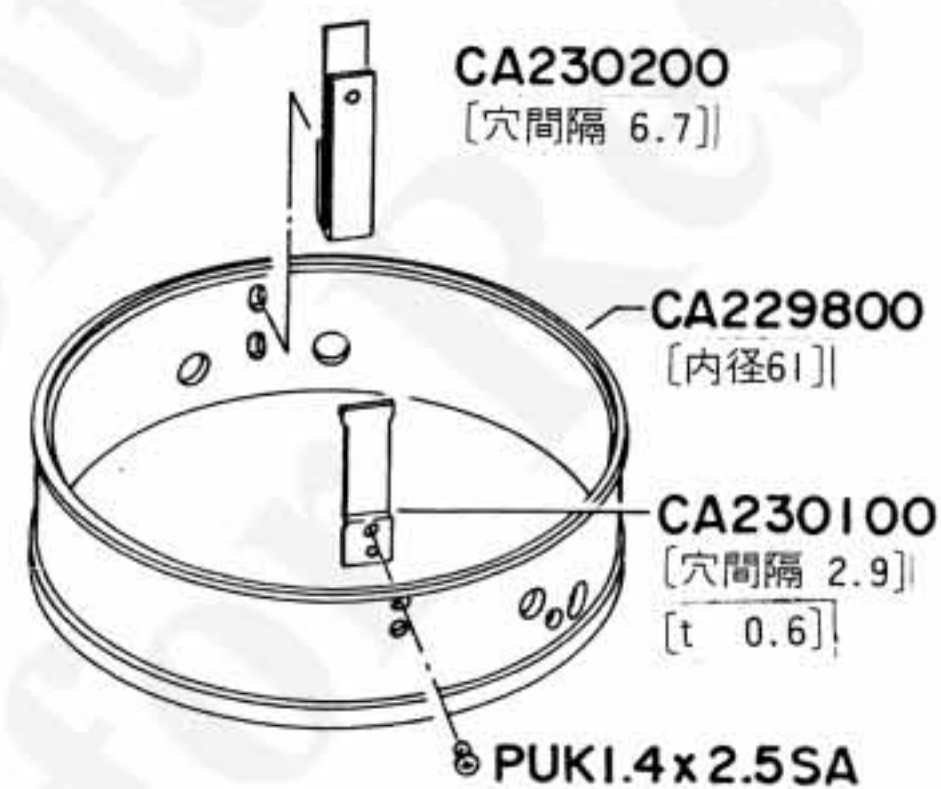


CA223800
[穴間隔 7]

CA223600
[内径60.2]

CA223700
[穴間隔 3.8]
[t 0.8]

⊙ PUK1.4x2SA

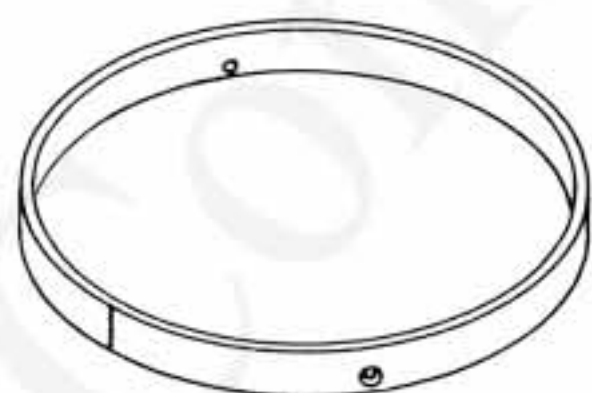


CA230200
[穴間隔 6.7]

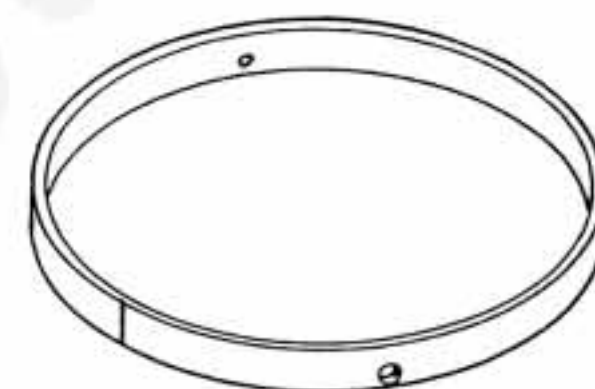
CA229800
[内径61]

CA230100
[穴間隔 2.9]
[t 0.6]

⊙ PUK1.4x2.5SA



CA224600
[外径61.7]



CA229900
[外径62.7]

<3>

TYPE-1

TYPE-2

