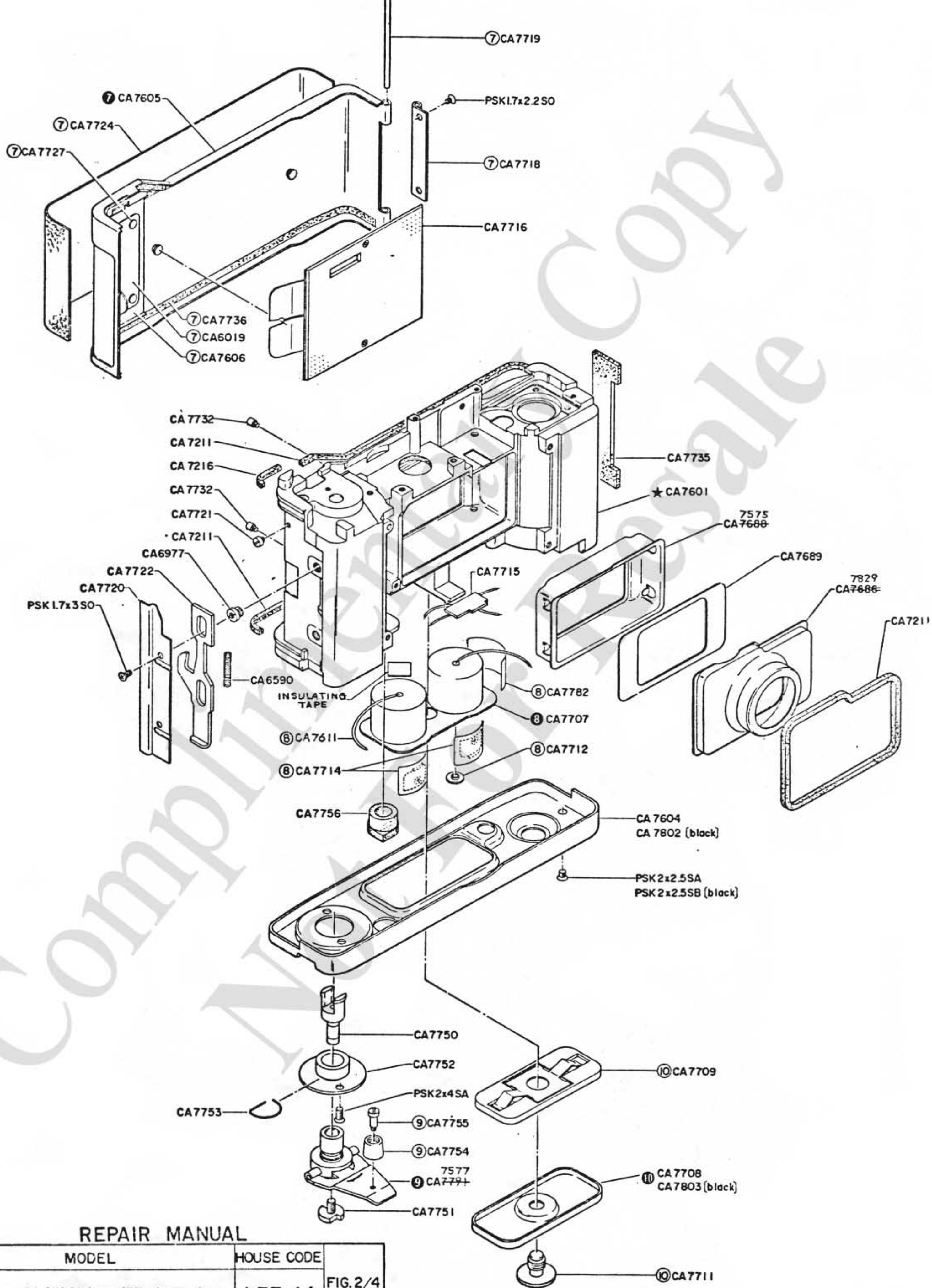


REPAIR MANUAL

MODEL	HOUSE CODE	FIG. 1/4
OLYMPUS 35 EC - 2	LEE-16	
OLYMPUS OPTICAL CO., LTD. TOKYO, JAPAN		

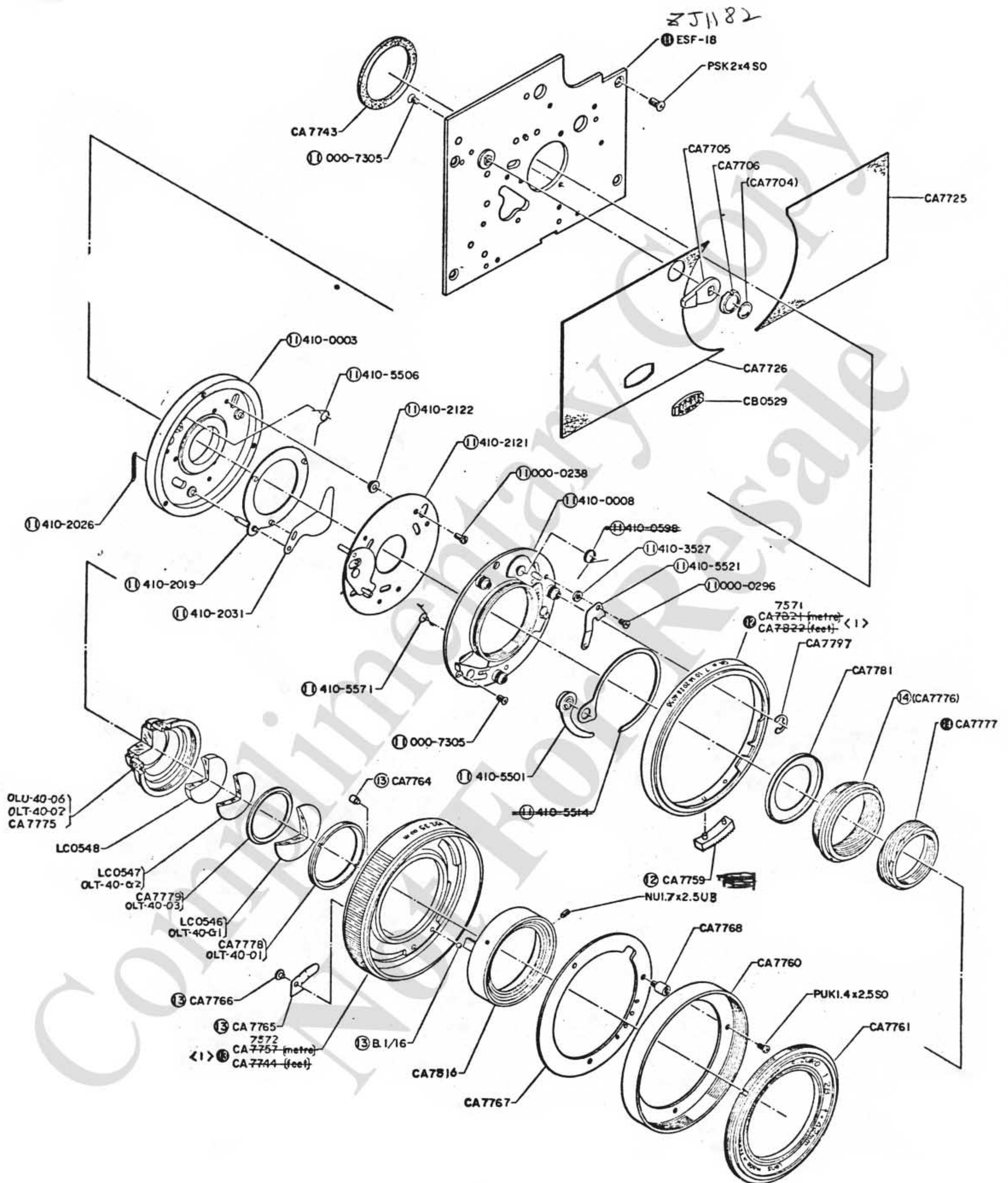
NOTE: WHEN ORDERING FOR SPARE PARTS PLEASE CLARIFY A MODEL, PARTS NUMBER AND QUANTITY



REPAIR MANUAL

MODEL	HOUSE CODE	FIG. 2/4
OLYMPUS 35 EC-2	LEE-16	
OLYMPUS OPTICAL CO., LTD. TOKYO, JAPAN		

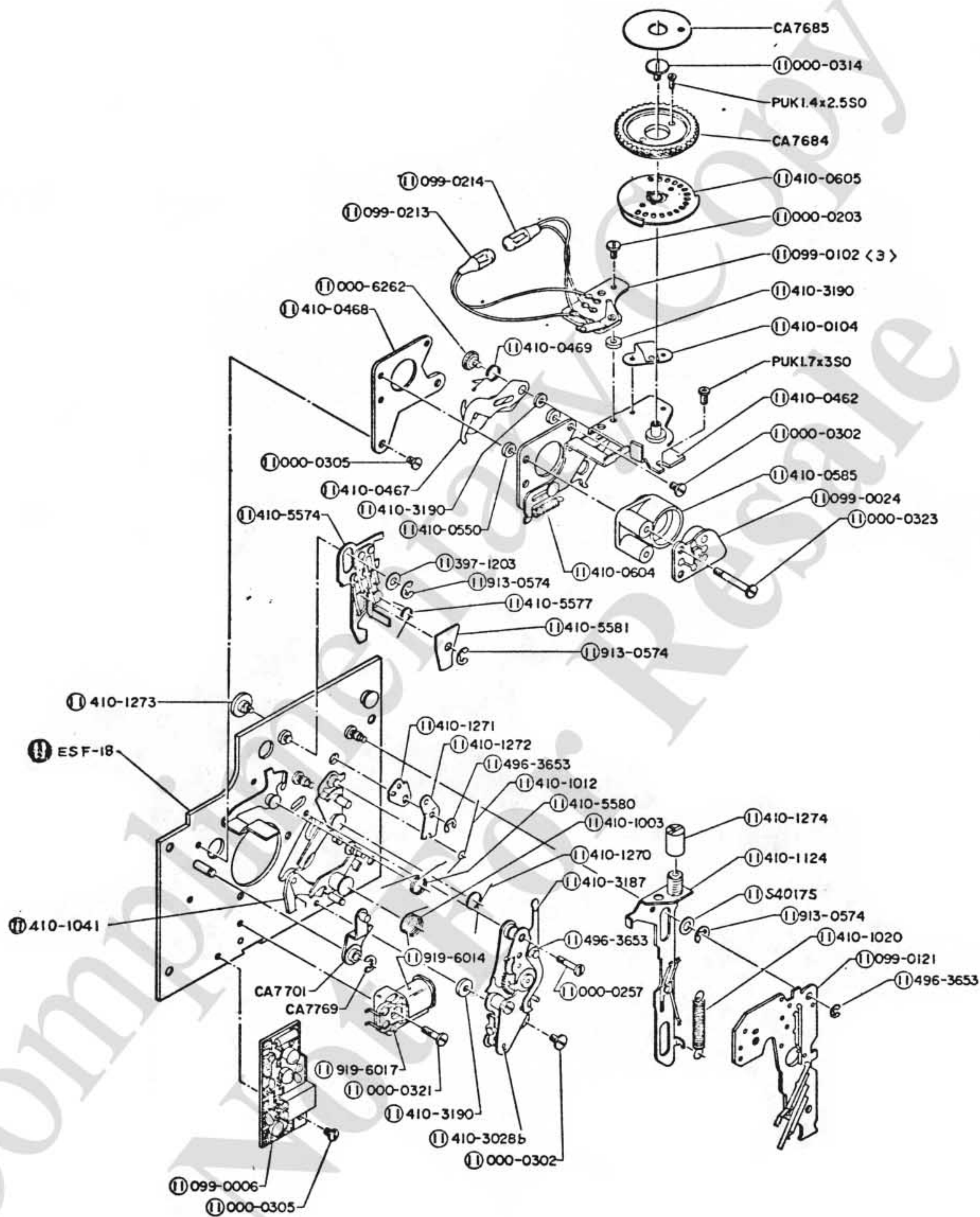
NOTE: WHEN ORDERING FOR SPARE PARTS PLEASE CLARIFY A MODEL, PARTS NUMBER AND QUANTITY.



REPAIR MANUAL

MODEL	HOUSE CODE	FIG. 3/4
OLYMPUS 35 EC-2	LEE-16	
OLYMPUS OPTICAL CO., LTD. TOKYO, JAPAN		

NOTE: WHEN ORDERING FOR SPARE PARTS, PLEASE CLARIFY A MODEL, PARTS NUMBER AND QUANTITY



REPAIR MANUAL

MODEL	HOUSE CODE	FIG. 4/4
OLYMPUS 35 EC-2	LEE-16	
OLYMPUS OPTICAL CO., LTD. TOKYO. JAPAN		

NOTE: WHEN ORDERING FOR SPARE PARTS, PLEASE CLARIFY A MODEL, PARTS NUMBER AND QUANTITY

EXPLANATION OF MARKS

- ① Indicates parts that are supplied both as a single piece and as an assembled unit. In the latter case, the single part is incorporated in the assembled unit indicated with the mark ①
Exception: Parts in the mark () are not supplied in single pieces.
(Parts that are supplied only in single pieces are not indicated with any mark. While parts that are supplied as an assembled unit are prefixed with "Z" or "U")
-] Several types of parts for the same position are available, from which most suitable one is to be selected.
- * 3 Parts differ according to different models and types. This mark is used to indicate various combinations in a picture.
- ☰ Left-handed screw. The mate screw hole is not marked particularly.
- ⊠ Indicates parts that should not be touched directly by bare hand because special surface treatment is applied. Wear fingerstalls or use tweezers.
- ★ Not supplied as a repair part.
- Used exclusively for black finish models.
- Indicates original parts. New, modified ones are not indicated with this mark. Both original and modified parts are supplied.
- == No more available parts due to design change or out of stock.
- ✕ A correction mark. Parts with this mark are not available.
- < 2 > Modified parts that are unable to show in the technical manual. The figure indicates reference page number.
- 2-A3 This notation is entered in the "Remarks" column of parts list and indicates parts position in the technical manual.
- 2-A3 → Parts position. The technical manual is divided into 16 equal sections. Each section can be identified by using A, B, C and D from left to right and 1, 2, 3 and 4 from top to bottom.
- Indicates page number in which the technical manual appears. However, 1/1 (page 1 of 1) is not indicated particularly.