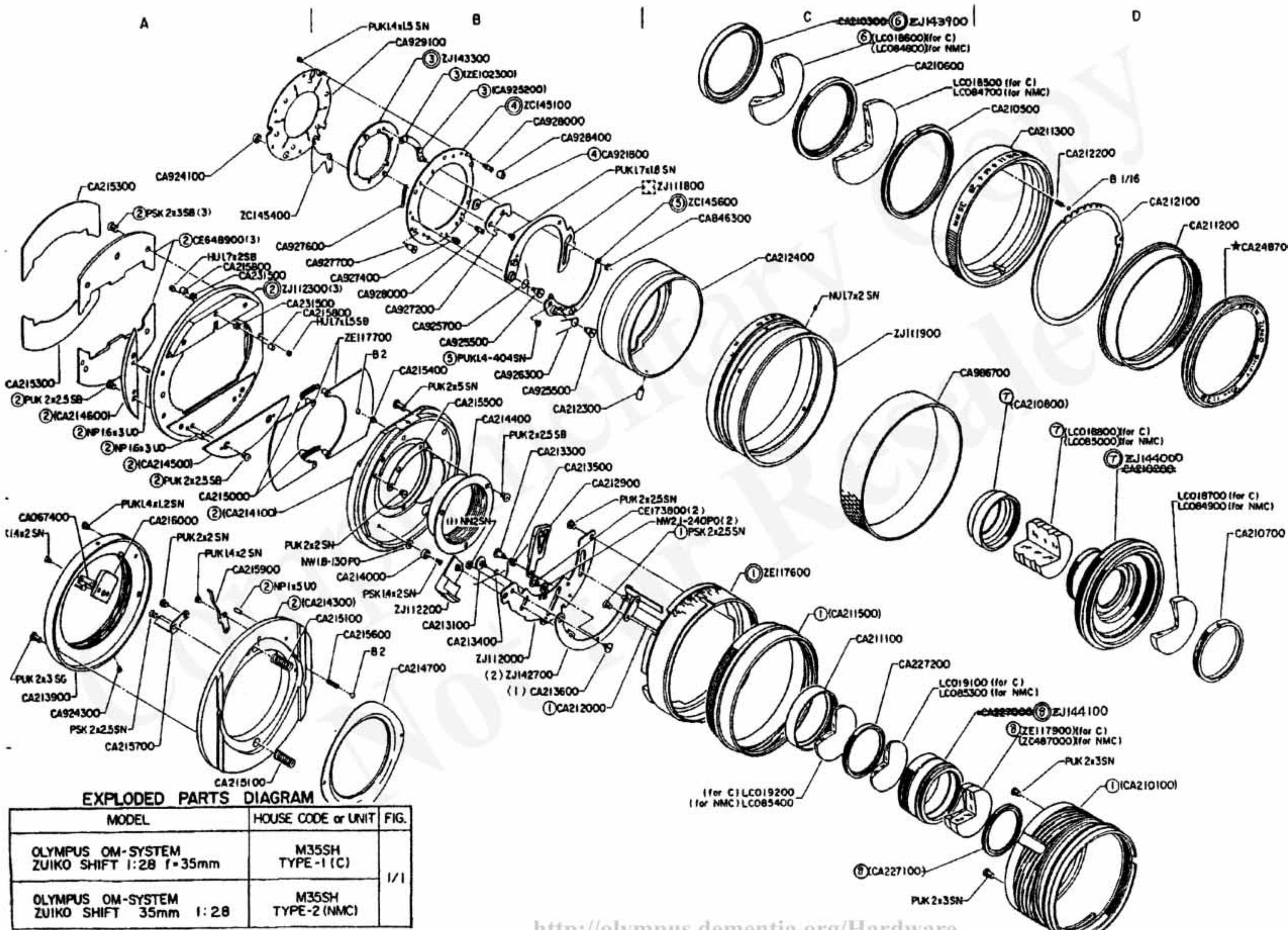


4

EXPLODED PARTS DIAGRAM

MODEL	HOUSE CODE or UNIT	FIG.
OLYMPUS OM-SYSTEM ZUIKO SHIFT ± 28 $f=35$ mm 35mm 1:2.8	M35SH	1/1
OLYMPUS OPTICAL CO., LTD. TOKYO, JAPAN		

NOTE: WHEN ORDERING FOR SPARE PARTS, PLEASE CLARIFY A MODEL, PARTS NUMBER AND QUANTITY. <http://olympus.dementia.org/Hardware>



EXPLODED PARTS DIAGRAM

MODEL	HOUSE CODE or UNIT	FIG.
OLYMPUS OM-SYSTEM ZUIKO SHIFT 1:2.8 f=35mm	M35SH TYPE-1 (C)	1/1
OLYMPUS OM-SYSTEM ZUIKO SHIFT 35mm 1:2.8	M35SH TYPE-2 (NMC)	

OLD

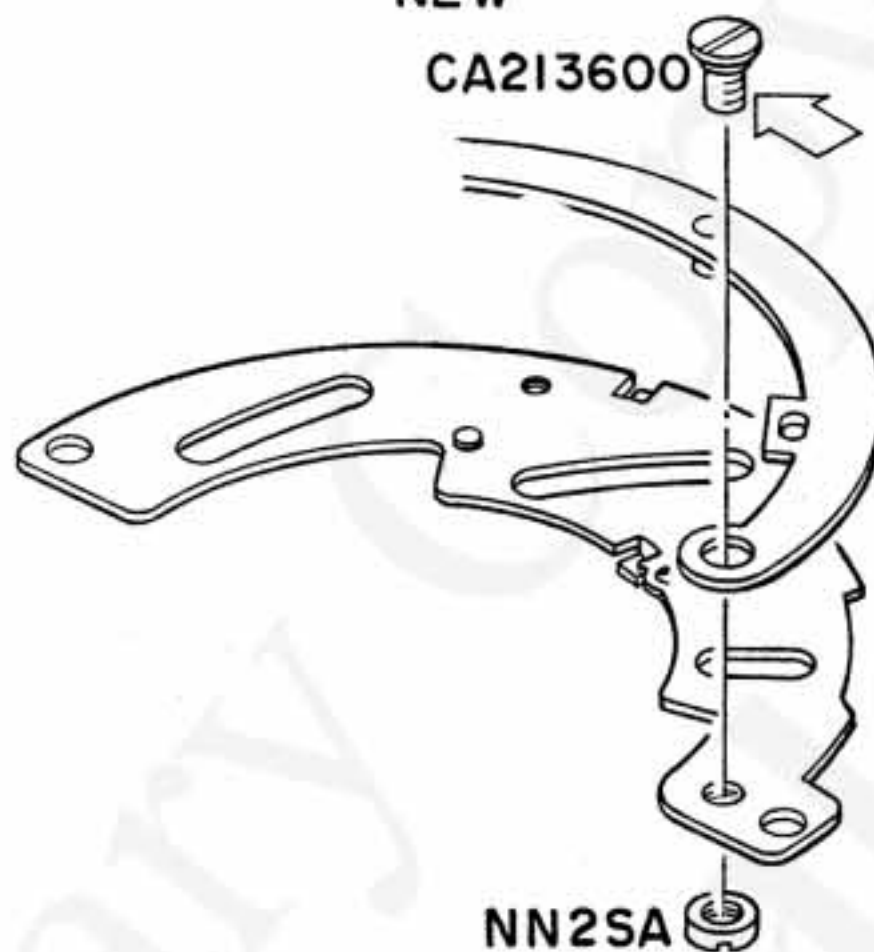
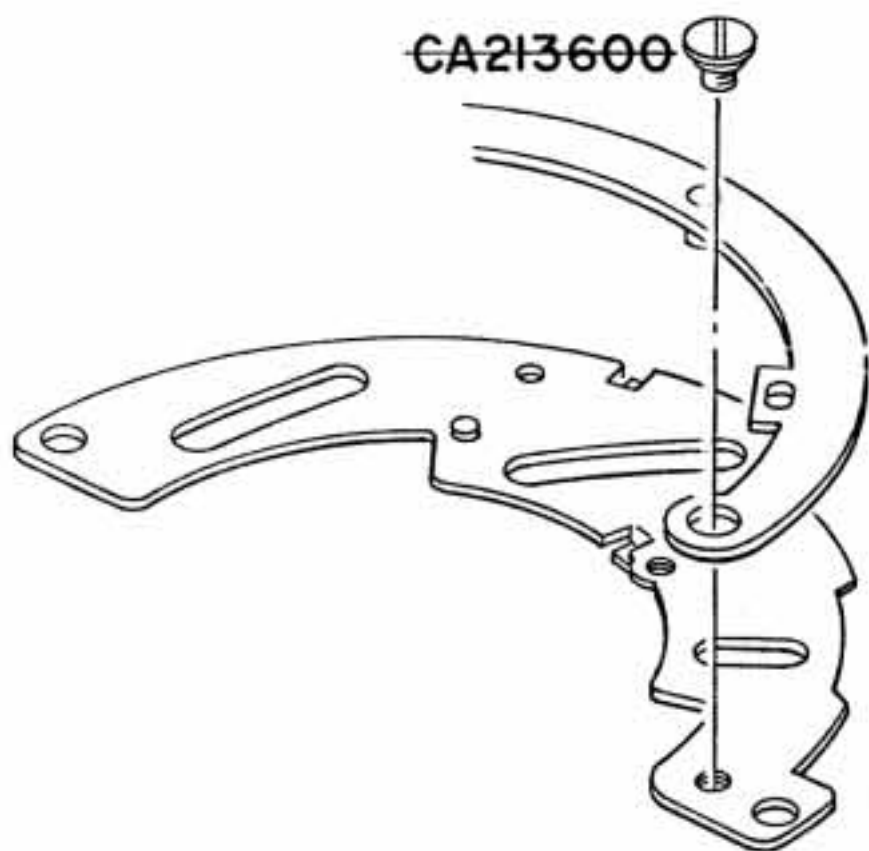
<1>

NEW

CA213600

CA213600

NN2SA



<2>

CA212500

CA233000

~~ZJ112100~~

ZJ112100

