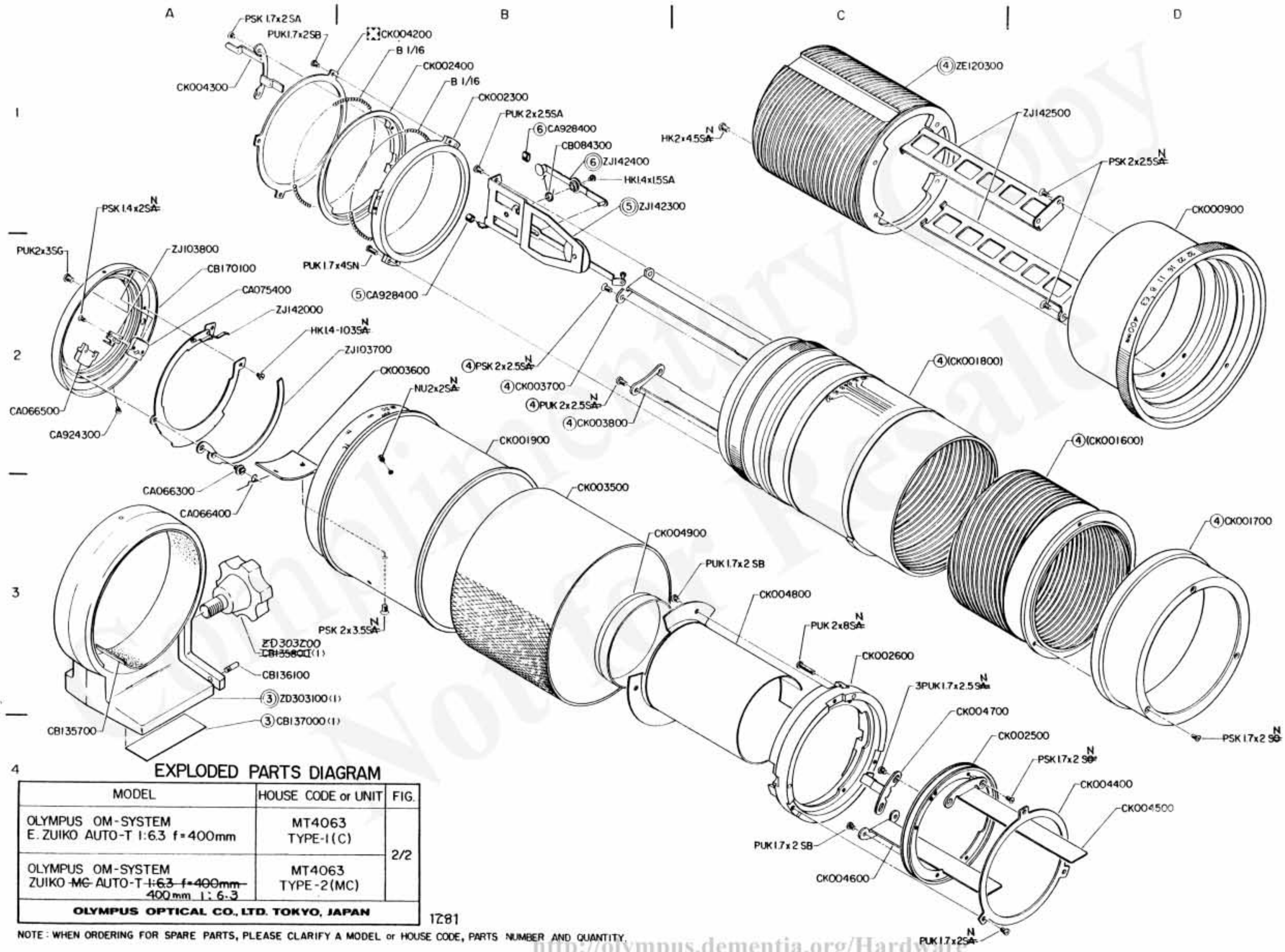


EXPLODED PARTS DIAGRAM

MODEL	HOUSE CODE or UNIT	FIG.
OLYMPUS OM-SYSTEM E.ZUIKO AUTO-T 1:6.3 f=400mm	MT4063 TYPE-1 (C)	1/2
OLYMPUS OM-SYSTEM ZUIKO-MG AUTO-T 1:6.3 f=400mm 400mm 1:6.3	MT4063 TYPE-2 (MC)	
OLYMPUS OPTICAL CO., LTD. TOKYO, JAPAN		

1281

NOTE: WHEN ORDERING FOR SPARE PARTS, PLEASE CLARIFY A MODEL or HOUSE CODE, PARTS NUMBER AND QUANTITY.



EXPLODED PARTS DIAGRAM

MODEL	HOUSE CODE or UNIT	FIG.
OLYMPUS OM-SYSTEM E. ZUIKO AUTO-T 1:6.3 f=400mm	MT4063 TYPE-1(C)	2/2
OLYMPUS OM-SYSTEM ZUIKO-MG AUTO-T 1:6.3 f=400mm 400mm 1:6.3	MT4063 TYPE-2(MC)	
OLYMPUS OPTICAL CO., LTD. TOKYO, JAPAN		

1781

NOTE: WHEN ORDERING FOR SPARE PARTS, PLEASE CLARIFY A MODEL or HOUSE CODE, PARTS NUMBER AND QUANTITY.