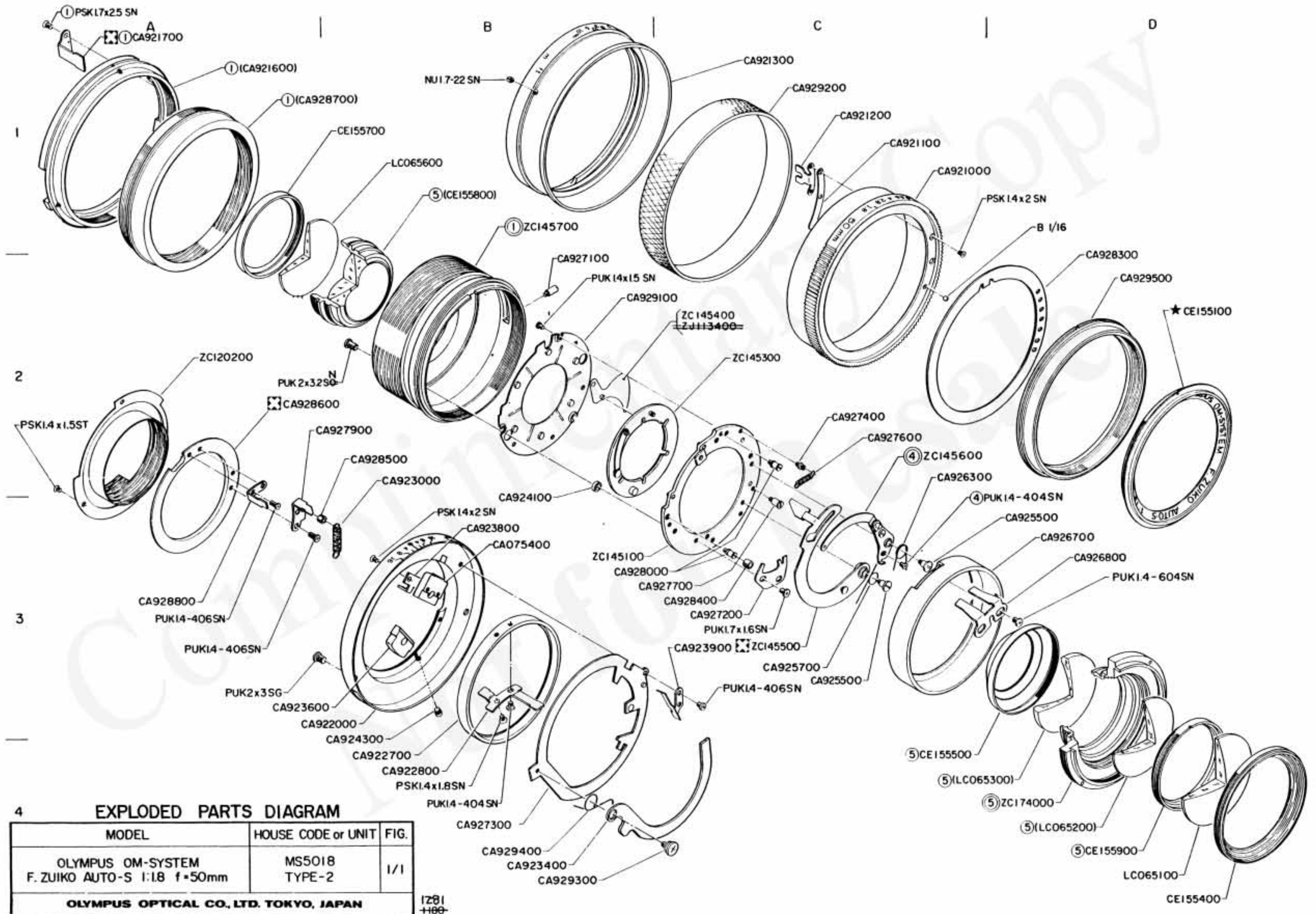


4 EXPLODED PARTS DIAGRAM

MODEL	HOUSE CODE or UNIT	FIG.
OLYMPUS OM-SYSTEM F. ZUIKO AUTO-S 1:1.8 f=50mm	MS5018 TYPE-1	1/1
OLYMPUS OPTICAL CO., LTD. TOKYO, JAPAN		

IZ81
+100-

NOTE: WHEN ORDERING FOR SPARE PARTS, PLEASE CLARIFY A MODEL, PARTS NUMBER AND QUANTITY



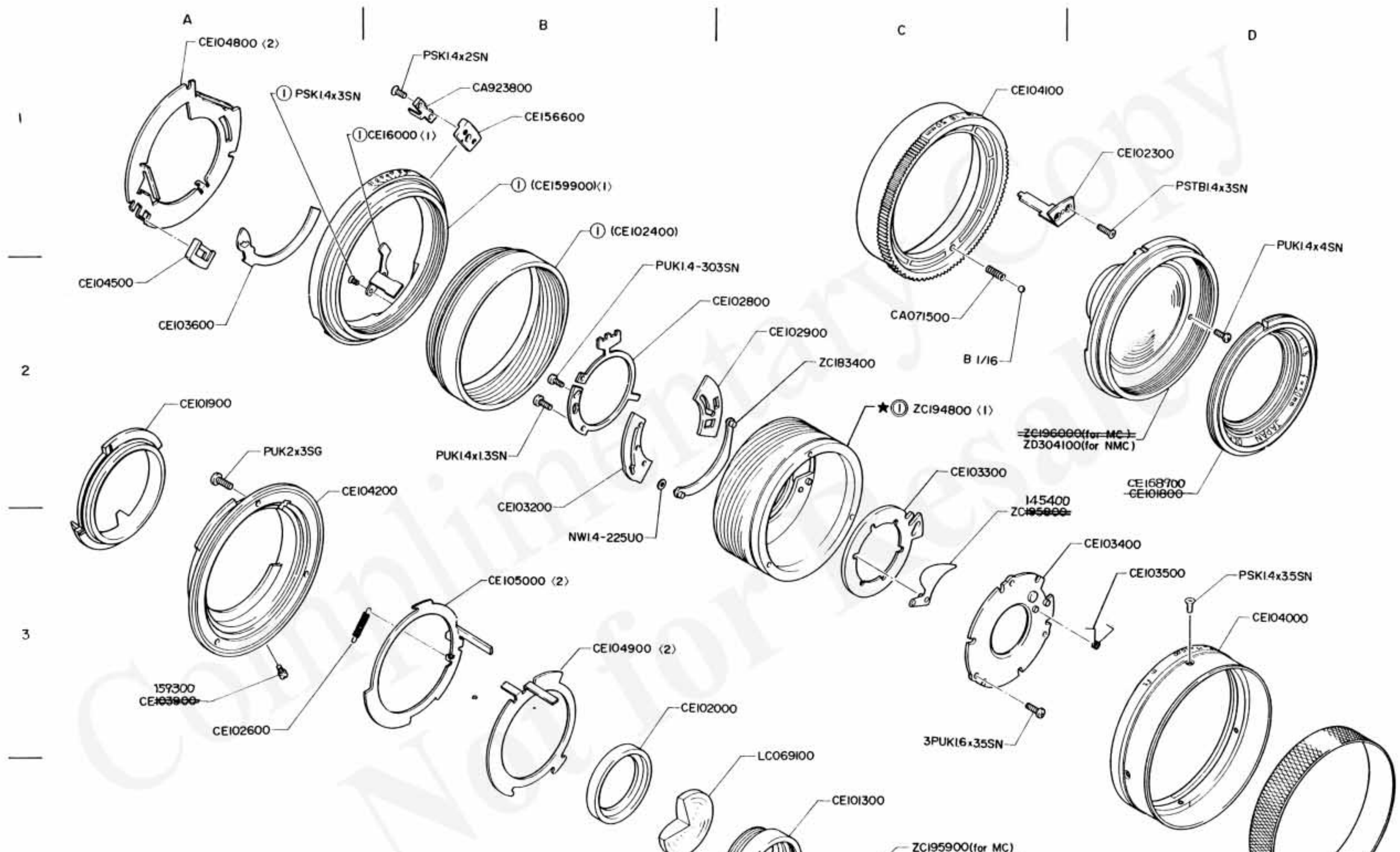
4

EXPLODED PARTS DIAGRAM

MODEL	HOUSE CODE or UNIT	FIG.
OLYMPUS OM-SYSTEM F. ZUIKO AUTO-S 1:1.8 f=50mm	MS5018 TYPE-2	1/1
OLYMPUS OPTICAL CO., LTD. TOKYO, JAPAN		

1281
1180

NOTE: WHEN ORDERING FOR SPARE PARTS, PLEASE CLARIFY A MODEL, PARTS NUMBER AND QUANTITY

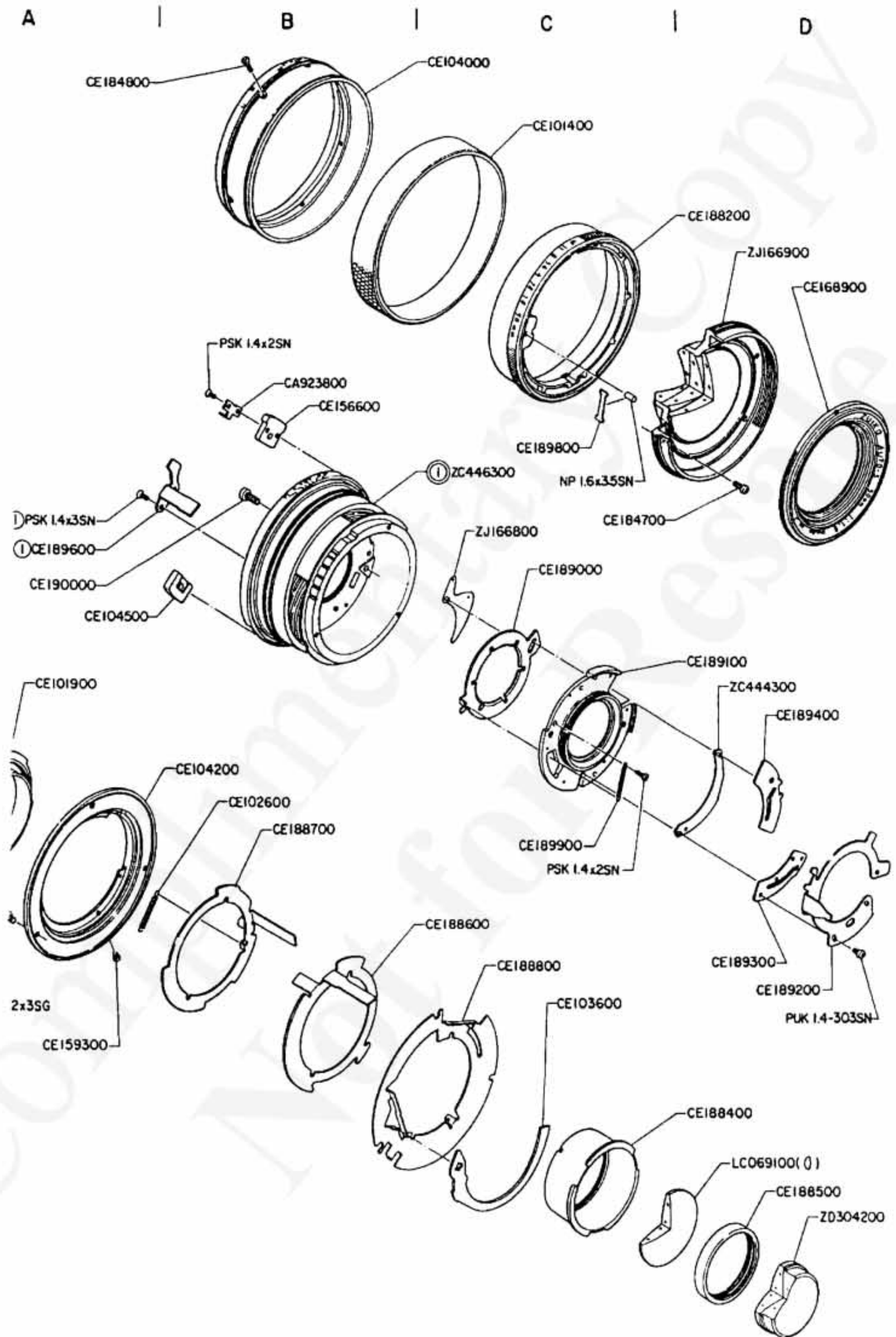


EXPLODED PARTS DIAGRAM

MODEL	HOUSE CODE or UNIT	FIG.
OLYMPUS OM-SYSTEM	MS5018	
50mm 1:1.8	TYPE-3 (MC)	1/1
ZUIKO MG-AUTO-S +18-1-50mm	TYPE-4 (NMC)	
OLYMPUS OPTICAL CO., LTD. TOKYO, JAPAN		

1Z81
1180

NOTE: WHEN ORDERING FOR SPARE PARTS, PLEASE CLARIFY A MODEL or HOUSE CODE, PARTS NUMBER AND QUANTITY.



EXPLODED PARTS DIAGRAM

MODEL	HOUSE CODE or UNIT	FIG.
IS OM-SYSTEM 1:1.8 50mm	MS5018 TYPE-5	1/1

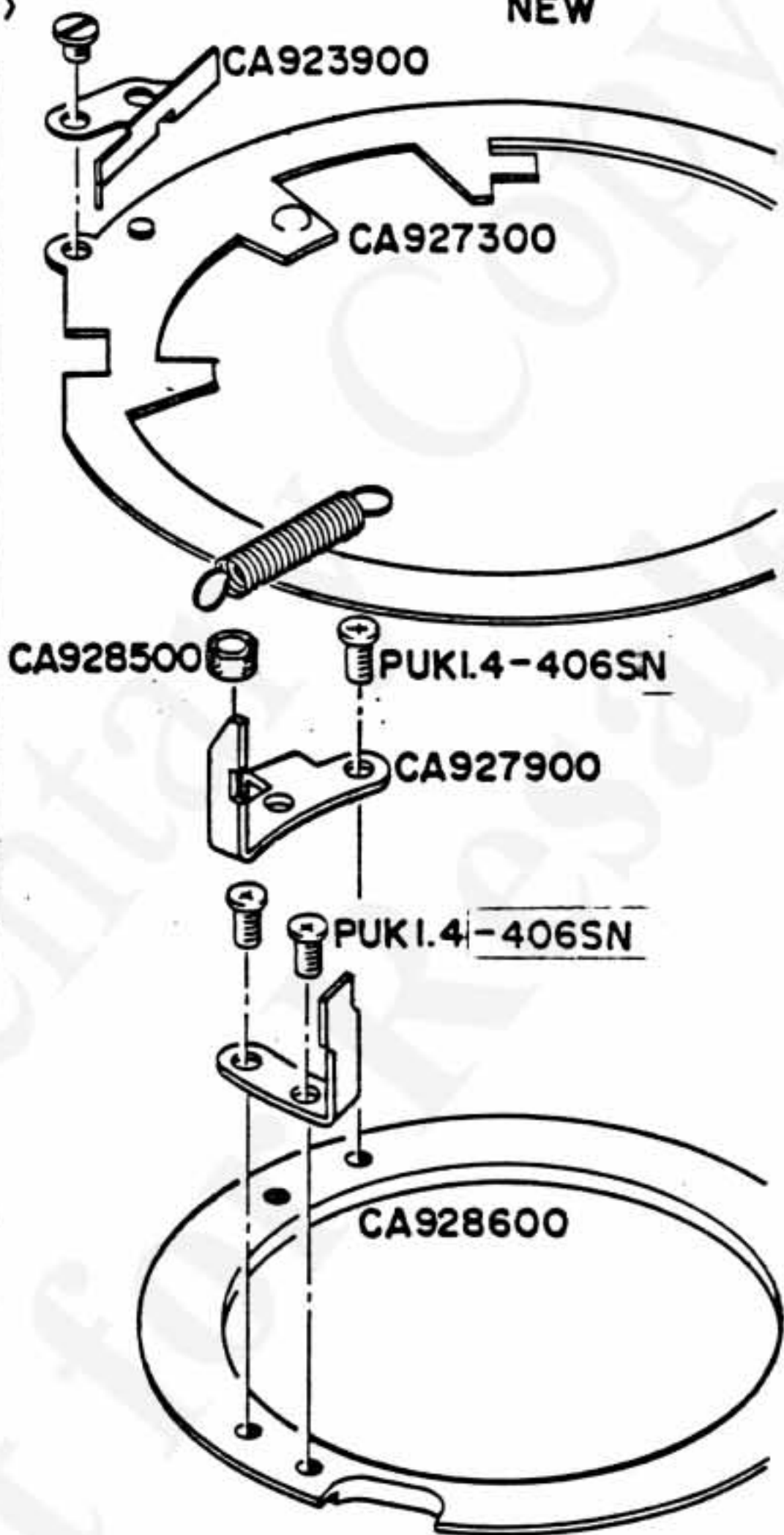
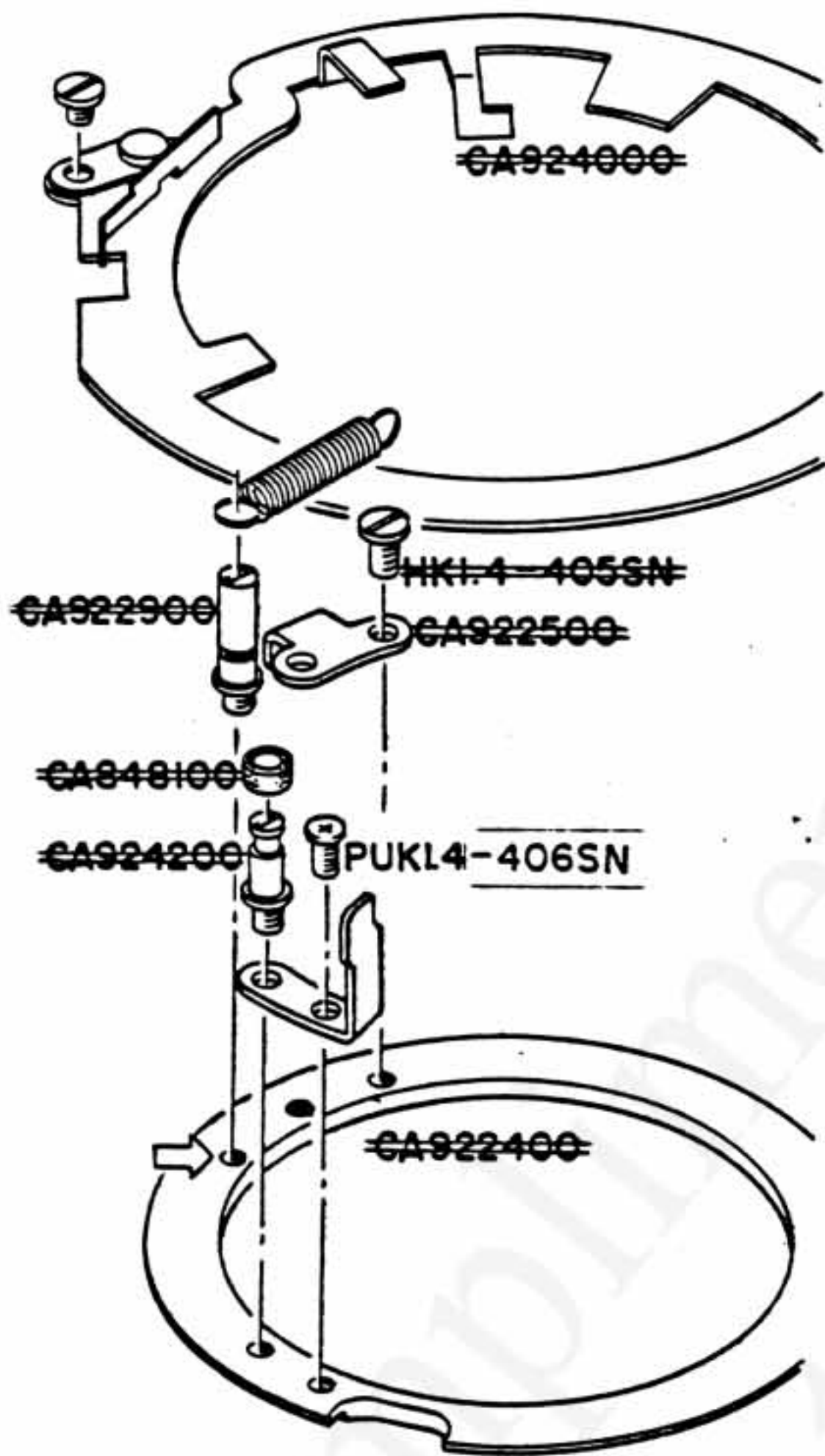
US OPTICAL CO., LTD. TOKYO, JAPAN

11 JUL 1984

OLD

(1)

NEW

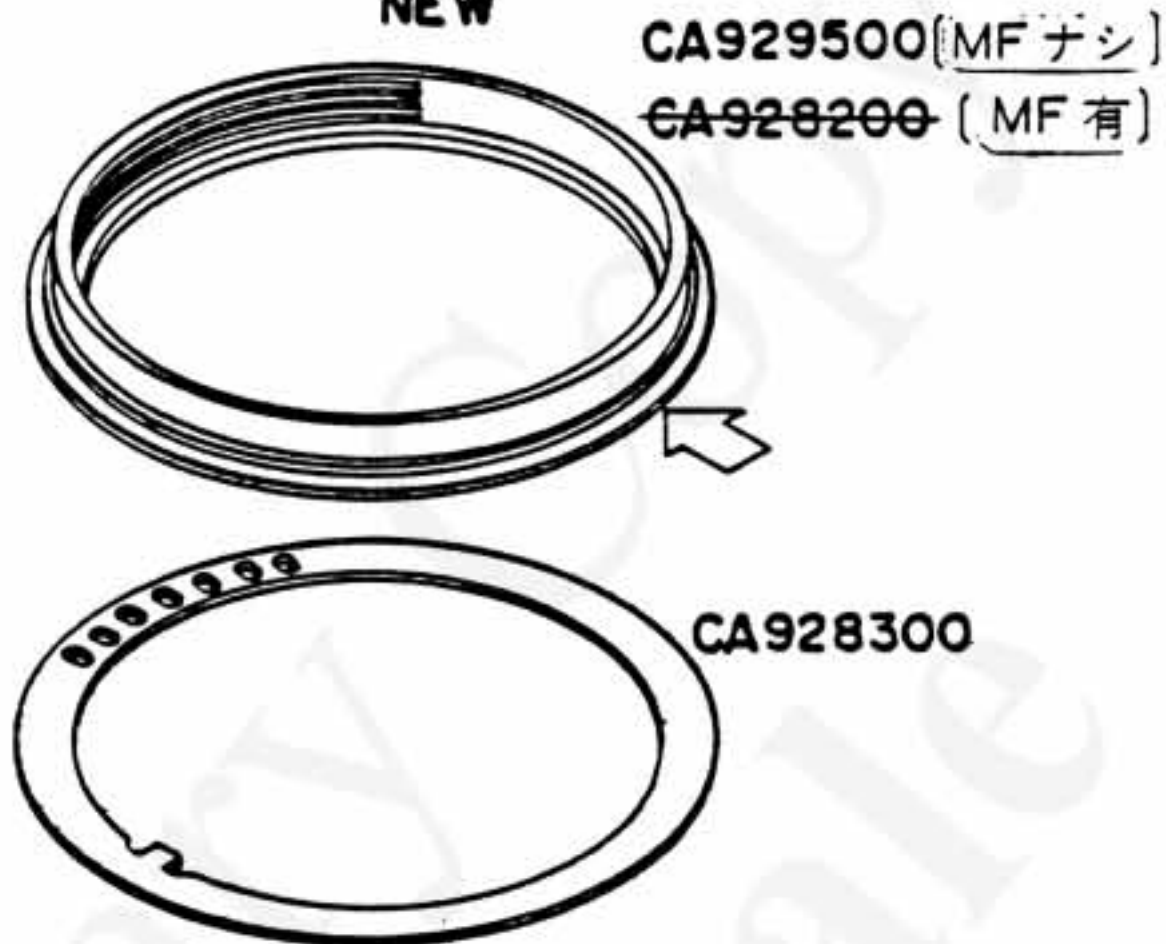


<2>

OLD

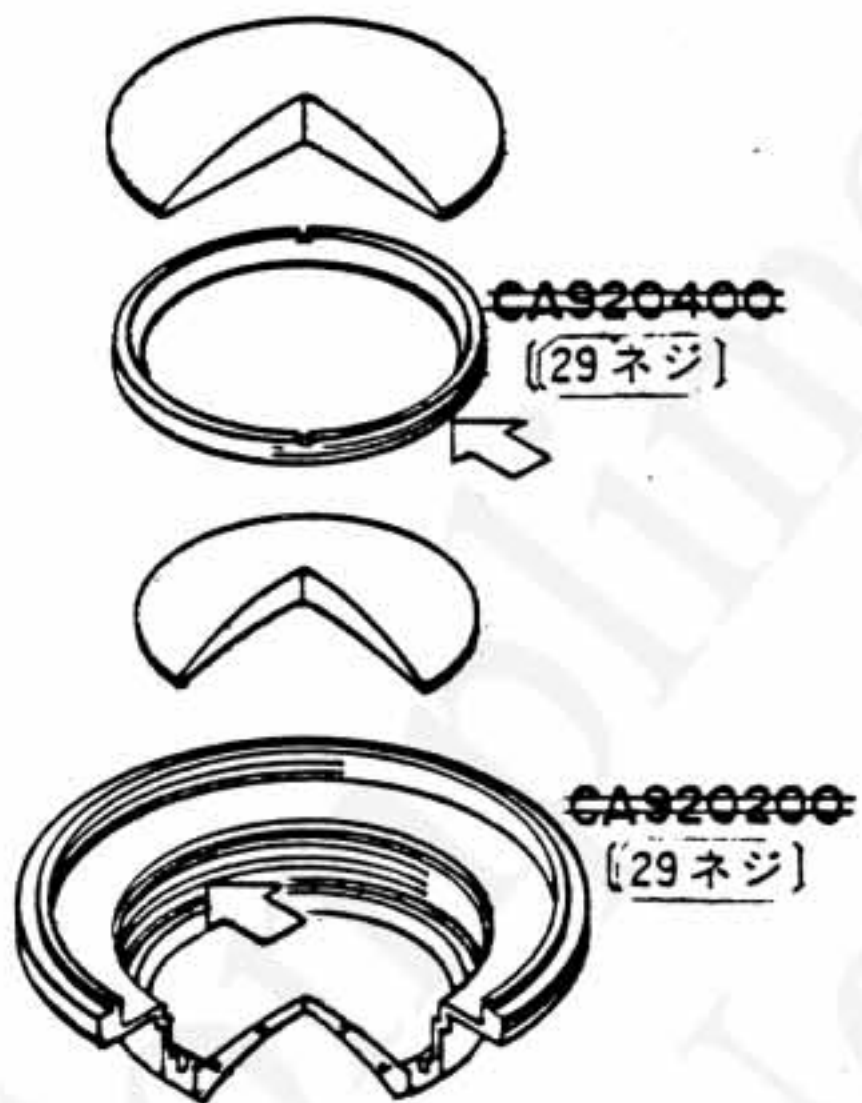


NEW

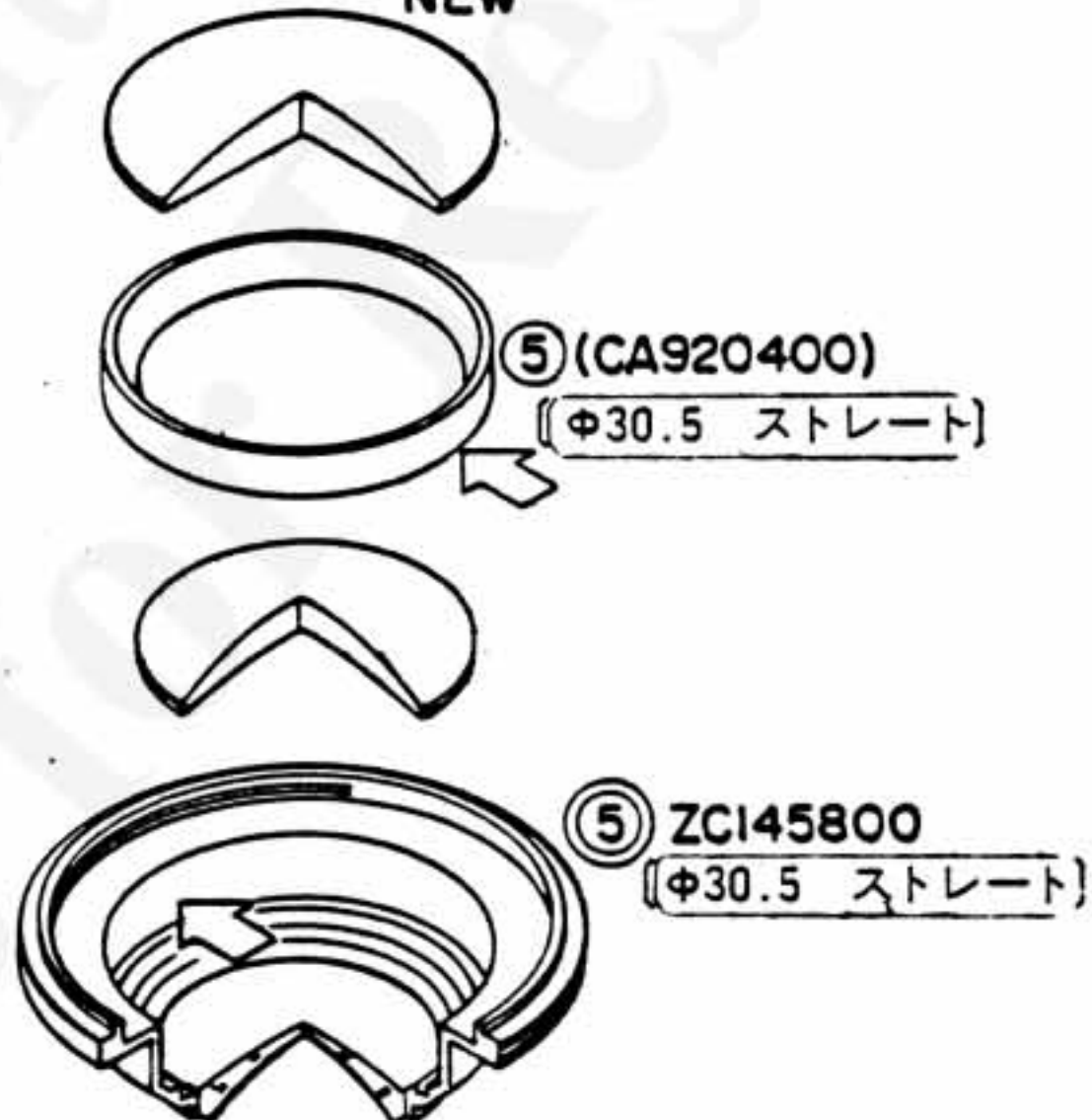


<4>

OLD



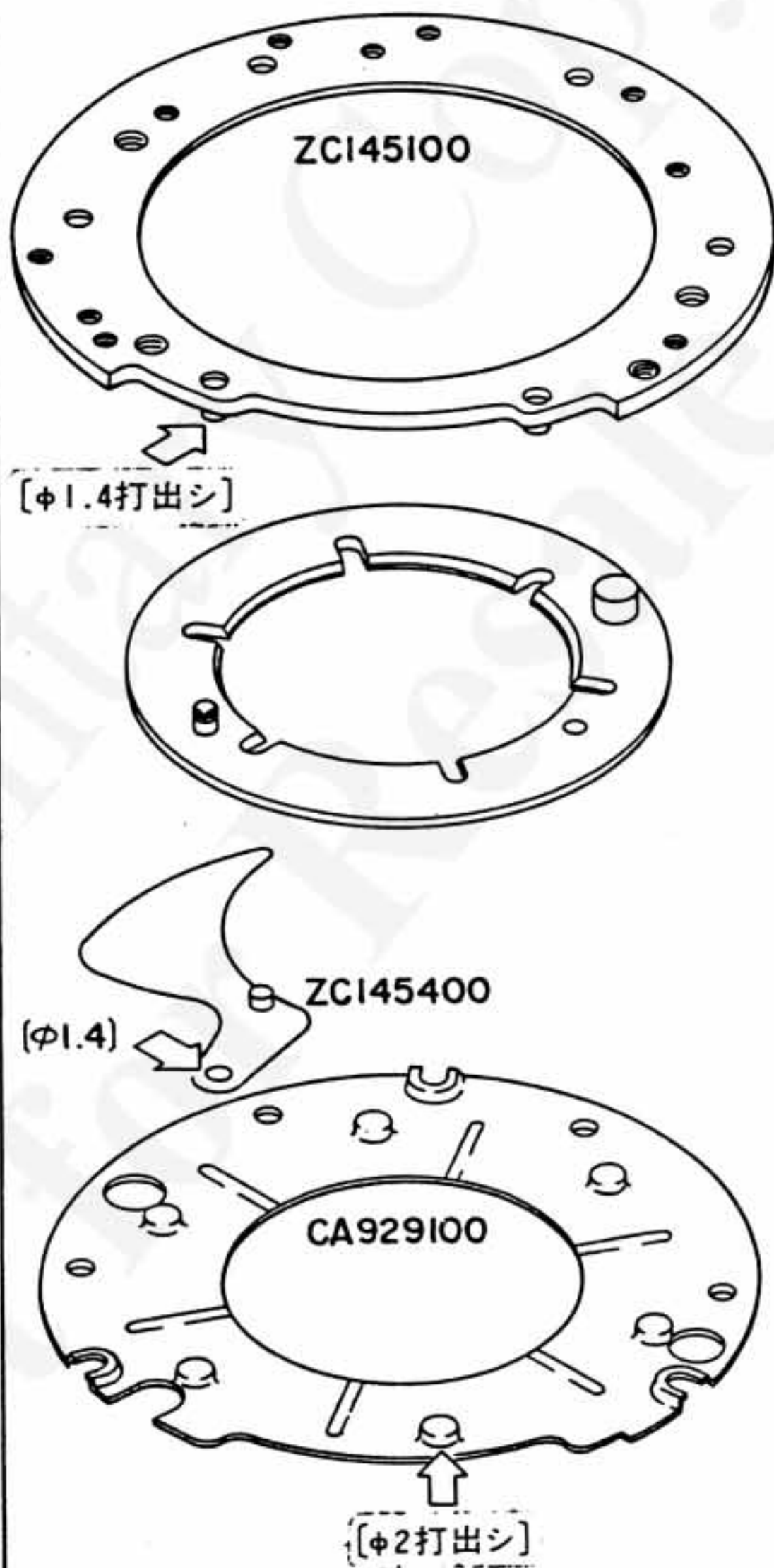
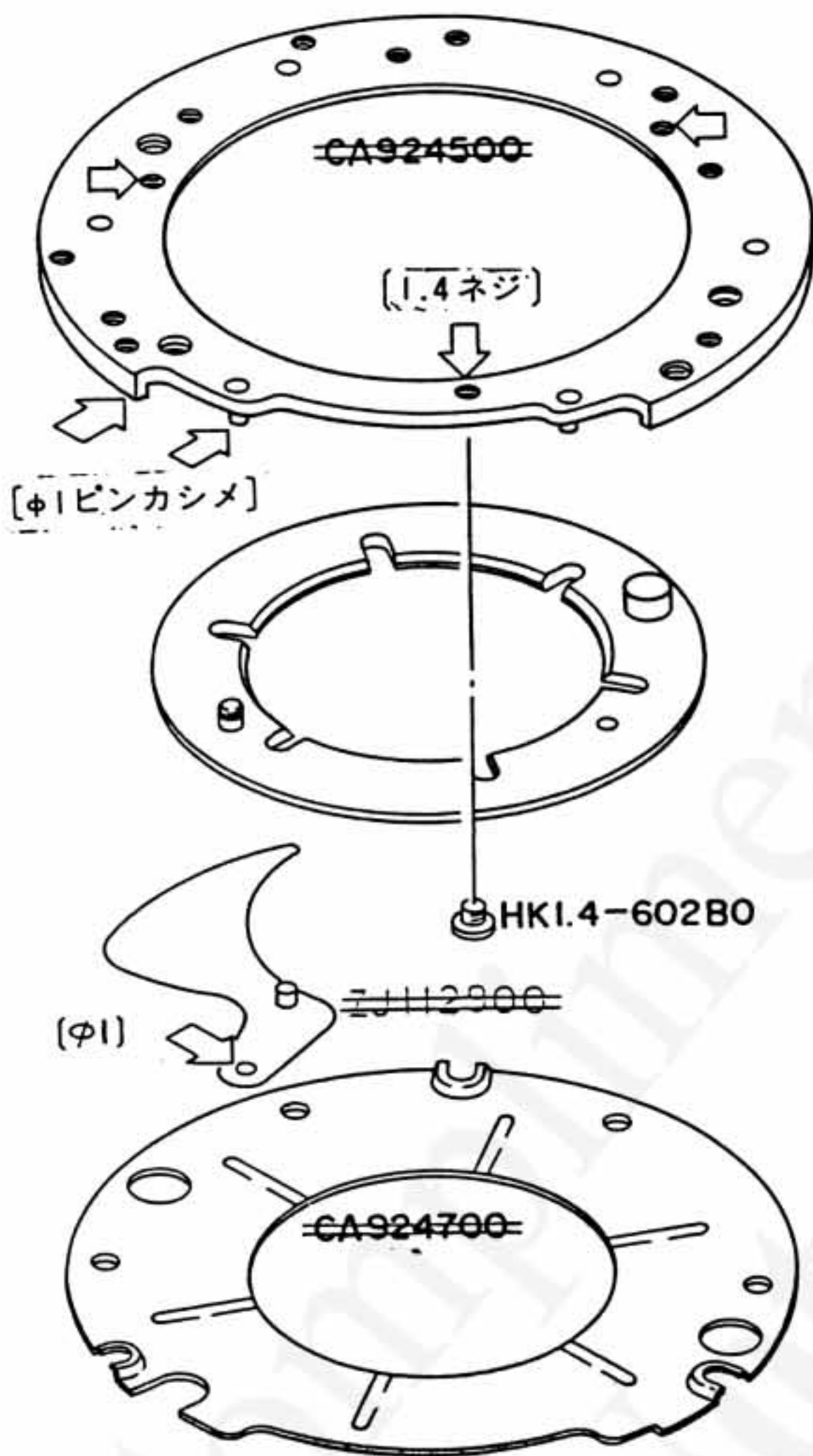
NEW



(3)

OLD

NEW

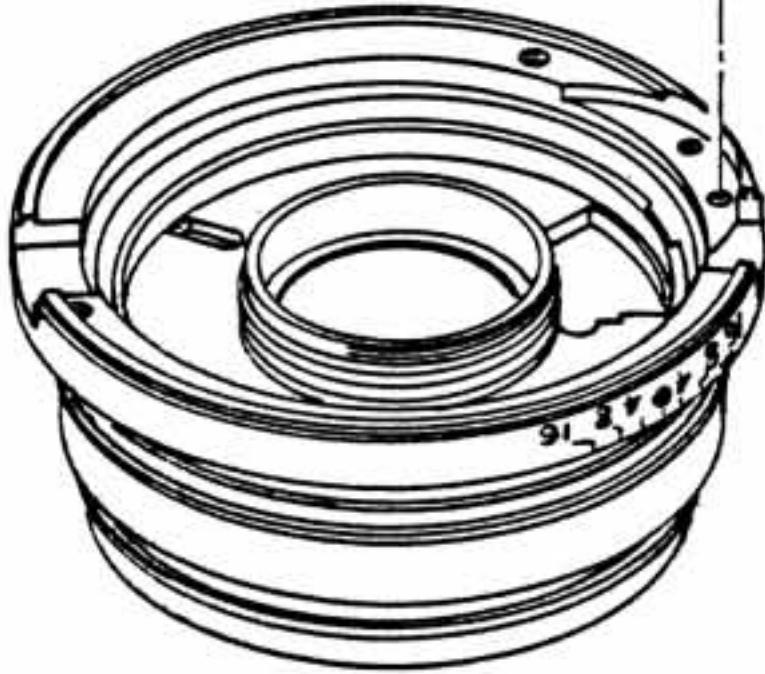


<1>

OLD

① CE103700

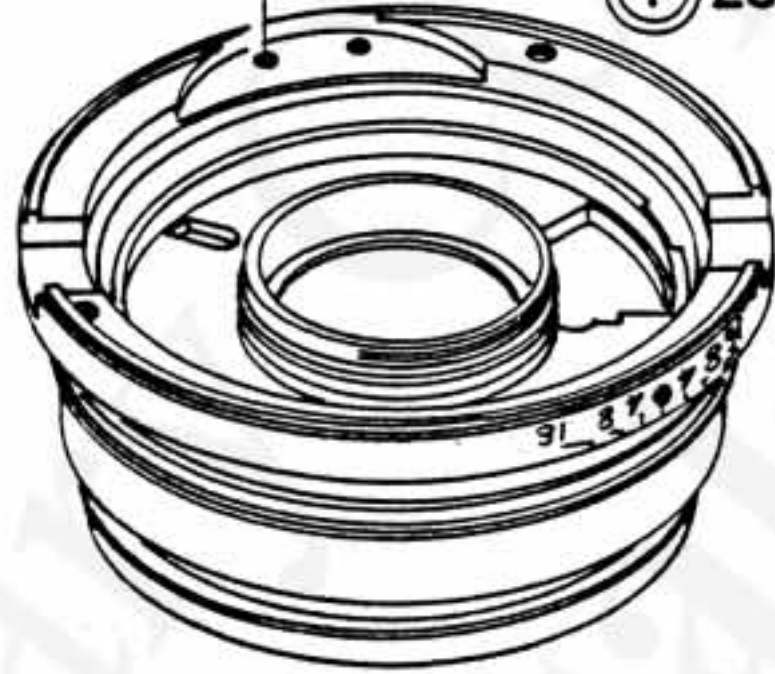
~~① ZC194800~~



NEW

① CE160000

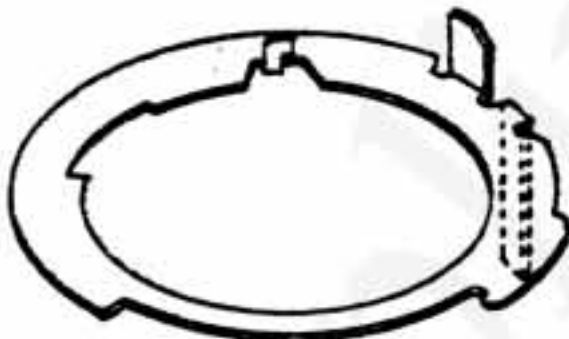
① ZC194800



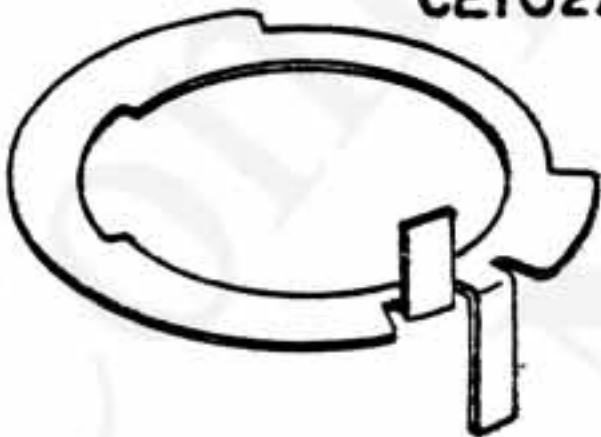
<2>

OLD

CE102100



CE102200

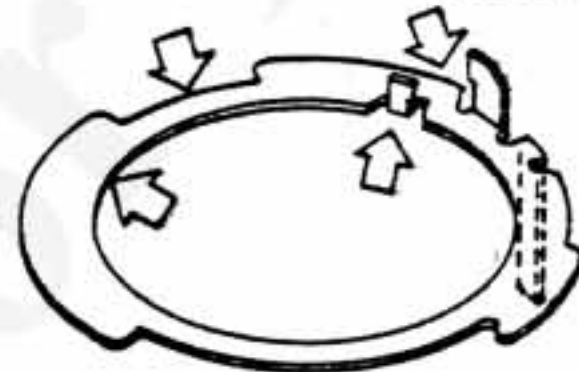


CE104400

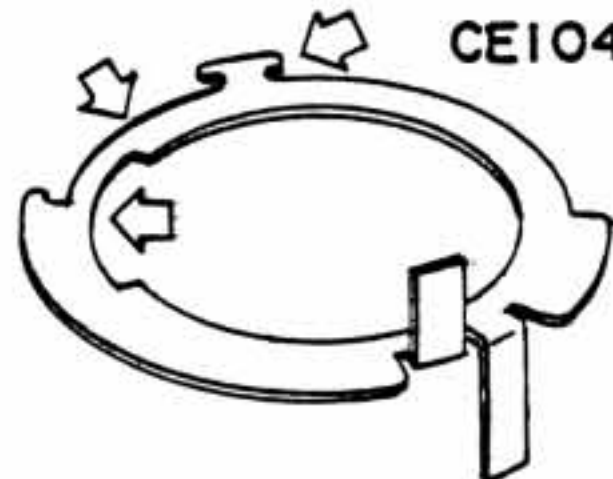


NEW

CE105000



CE104900



CE104800

