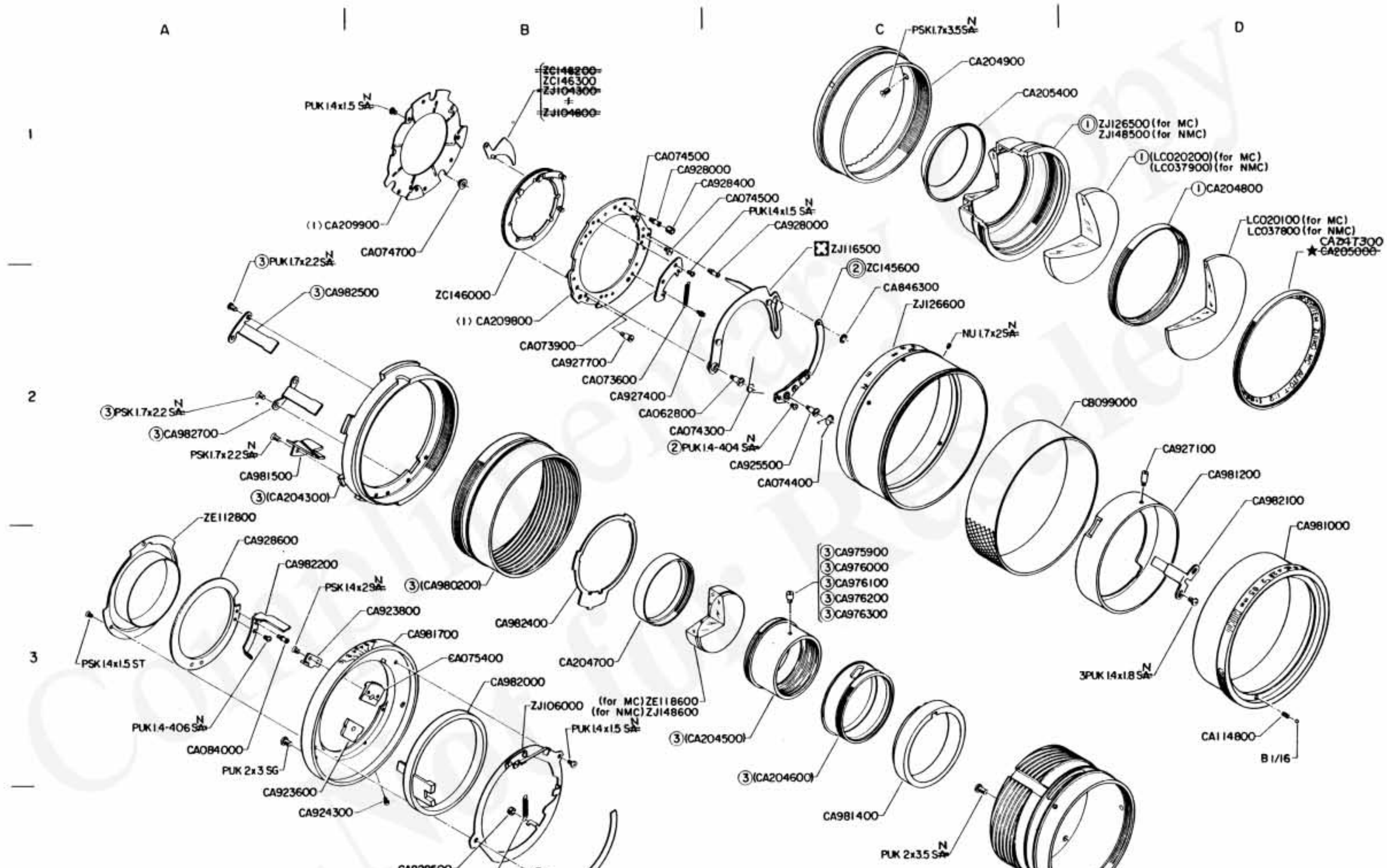


4 EXPLODED PARTS DIAGRAM

MODEL	HOUSE CODE or UNIT	FIG.
OLYMPUS OM-SYSTEM F. ZUIKO AUTO-T 1:2 f=85mm	MT8520 TYPE-1(C)	1/1
OLYMPUS OPTICAL CO., LTD. TOKYO, JAPAN		

NOTE: WHEN ORDERING FOR SPARE PARTS, PLEASE CLARIFY A MODEL, PARTS NUMBER AND QUANTITY.



4 EXPLODED PARTS DIAGRAM

MODEL	HOUSE CODE or UNIT	FIG.
OLYMPUS OM-SYSTEM ZUIKO MG AUTO-T $\pm 2-f=85mm$ $85mm 1:2$	MT8520 TYPE-2 (MC) TYPE-3 (NMC)	1/1
OLYMPUS OPTICAL CO., LTD. TOKYO, JAPAN		

NOTE: WHEN ORDERING FOR SPARE PARTS, PLEASE CLARIFY A MODEL, PARTS NUMBER AND QUANTITY.

