

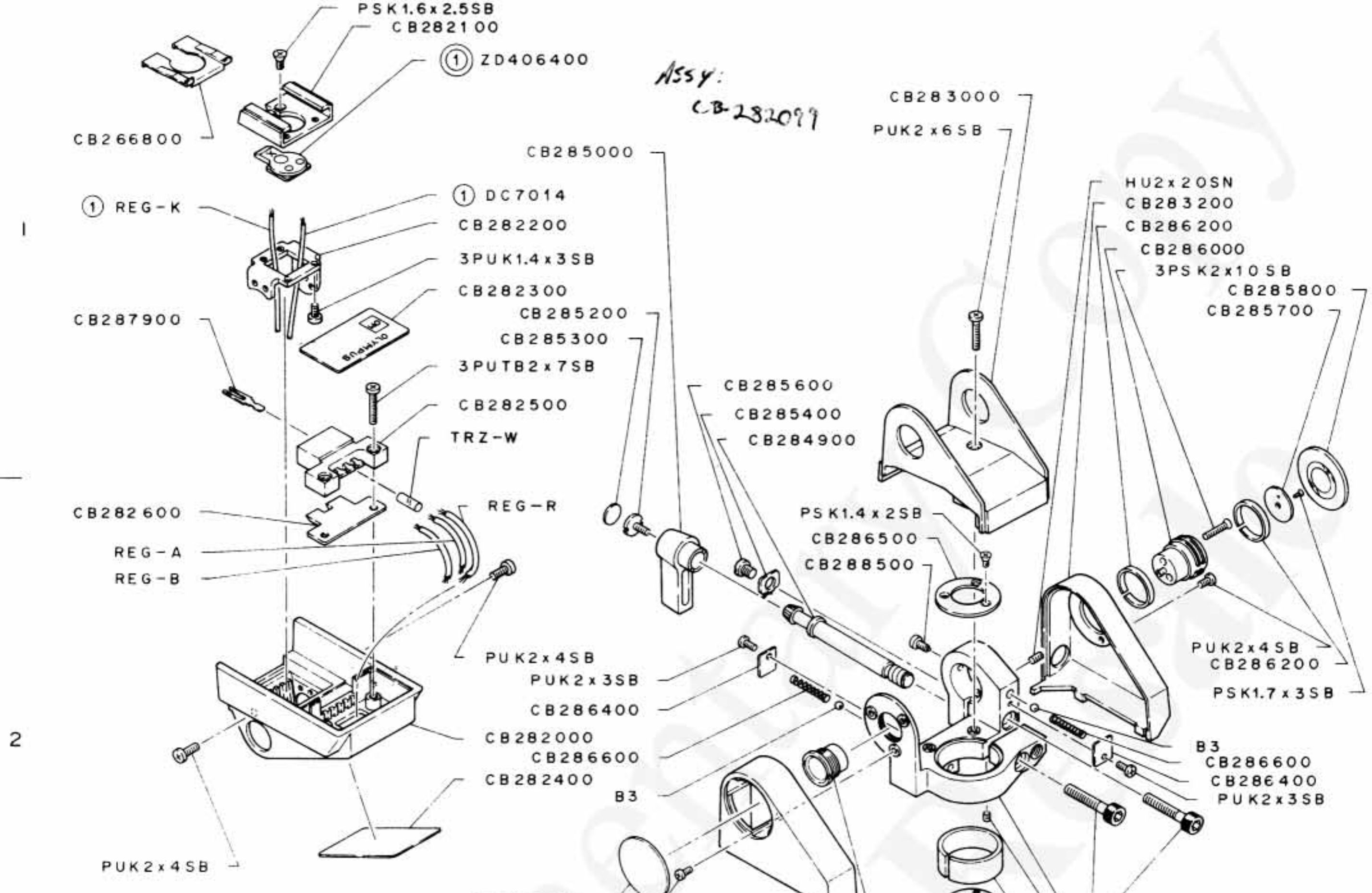
A

B

C

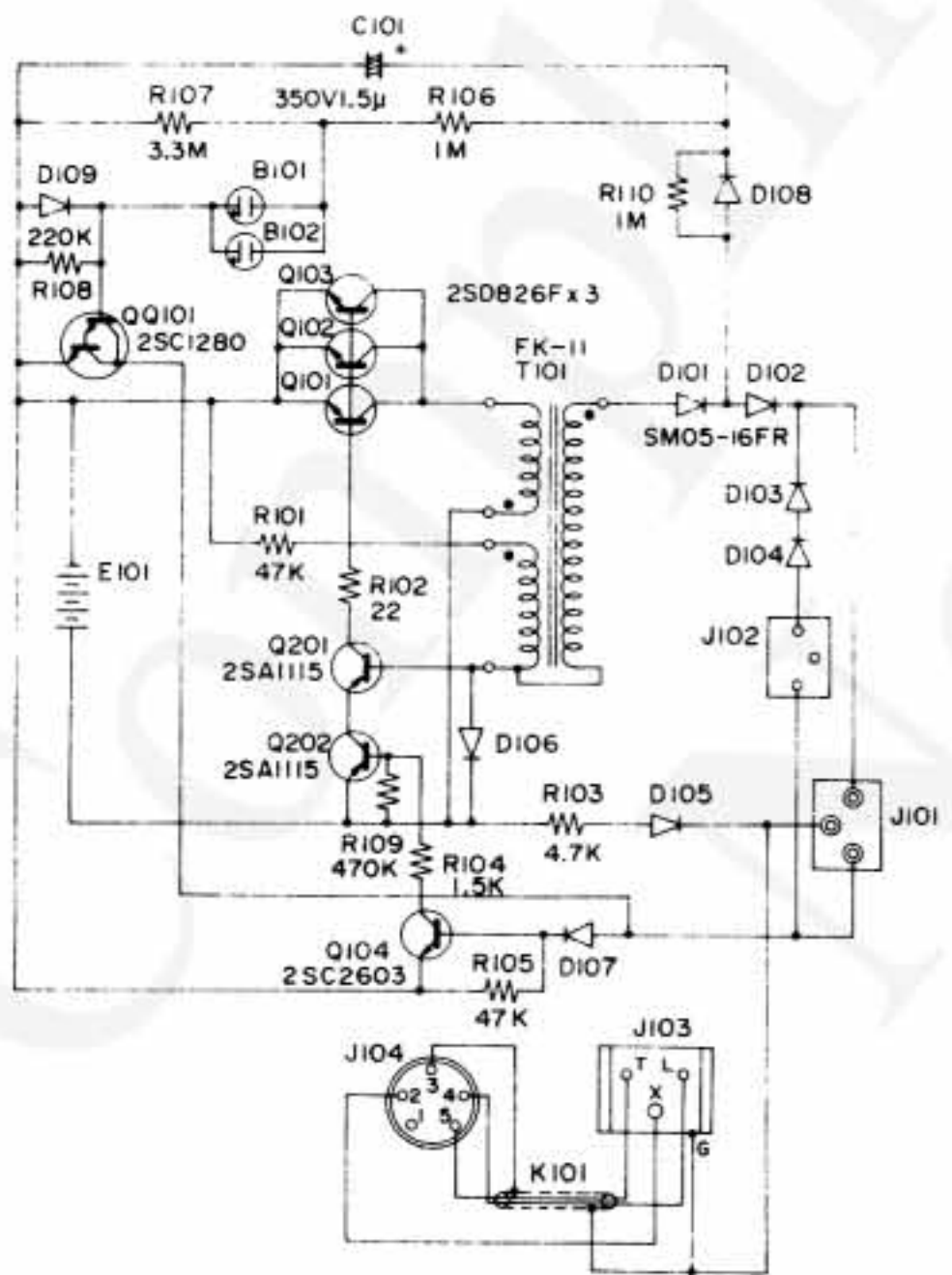
D

ASSY:
CB-282099



2

3

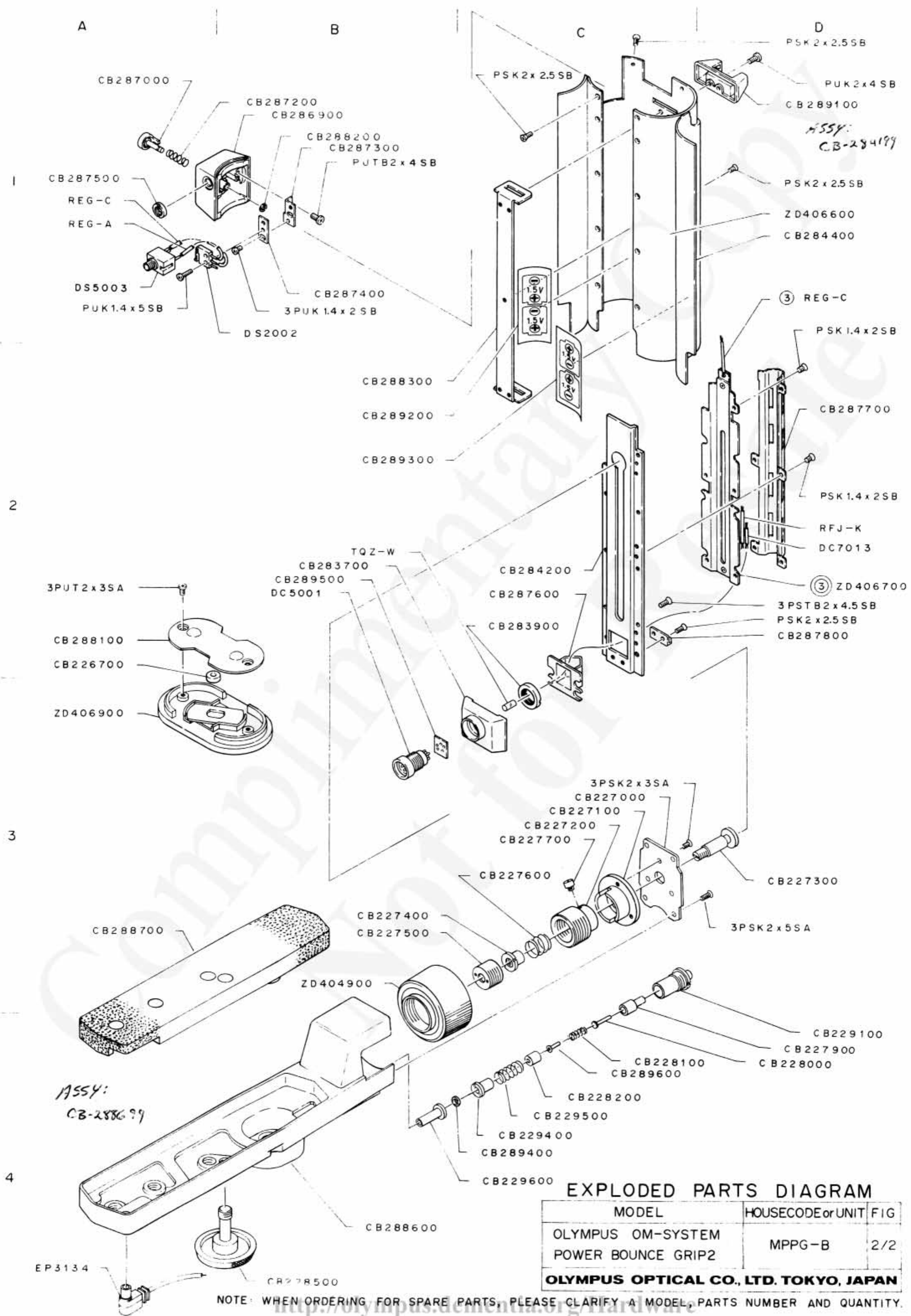


EXPLODED PARTS DIAGRAM

MODEL	HOUSE CODE or UNIT	FIG
OLYMPUS OM-SYSTEM POWER BOUNCE GRIP2	MPPG-B	1/2

OLYMPUS OPTICAL CO., LTD. TOKYO, JAPAN

NOTE: WHEN ORDERING FOR SPARE PARTS, PLEASE CLARIFY A MODEL, PARTS NUMBER AND QUANTITY.



EXPLODED PARTS DIAGRAM

MODEL	HOUSECODE or UNIT	FIG
OLYMPUS OM-SYSTEM POWER BOUNCE GRIP2	MPPG-B	2/2

OLYMPUS OPTICAL CO., LTD. TOKYO, JAPAN

NOTE: WHEN ORDERING FOR SPARE PARTS, PLEASE CLARIFY A MODEL, PARTS NUMBER AND QUANTITY.