

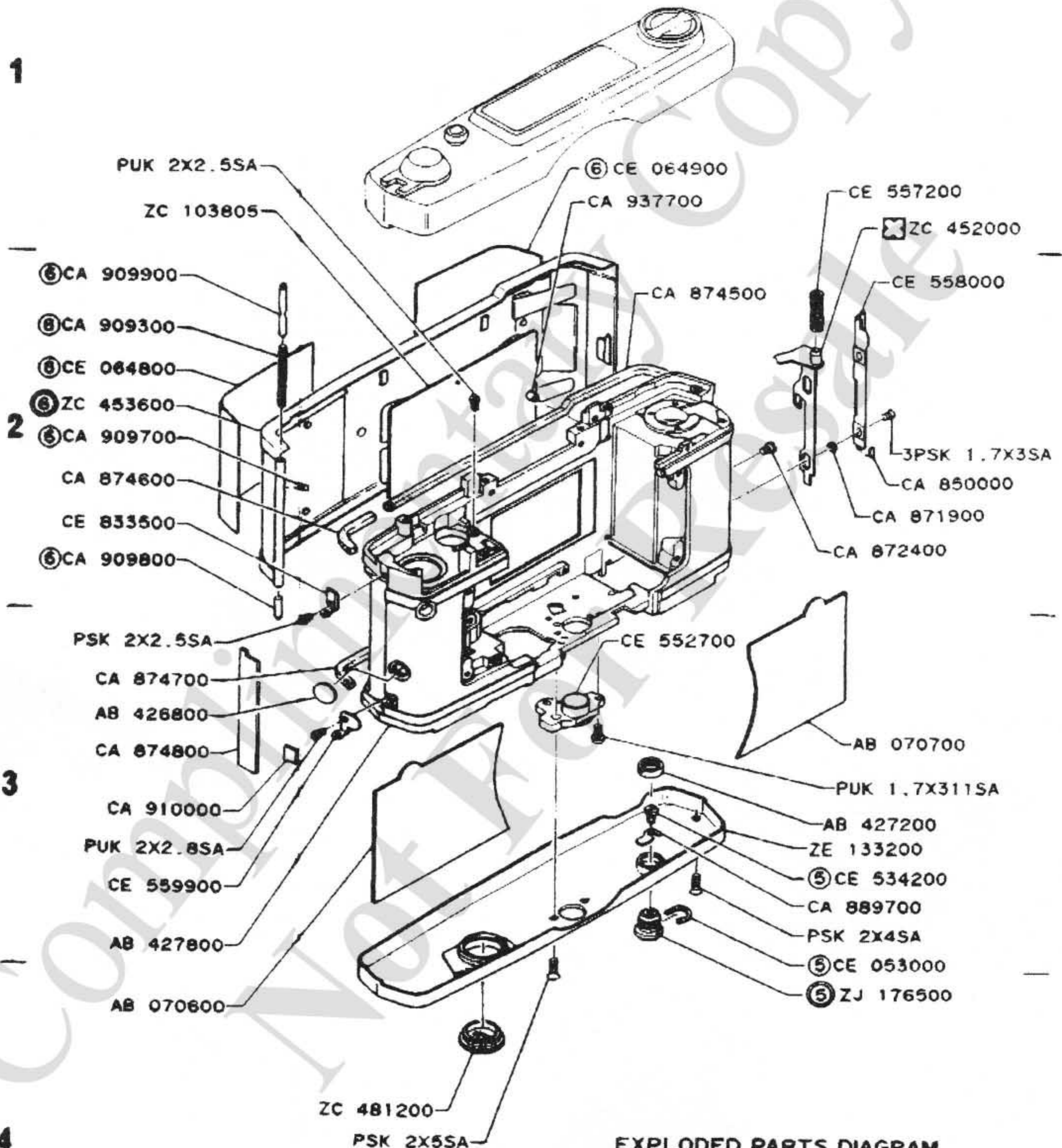
A | B | C | D

1

2

3

4



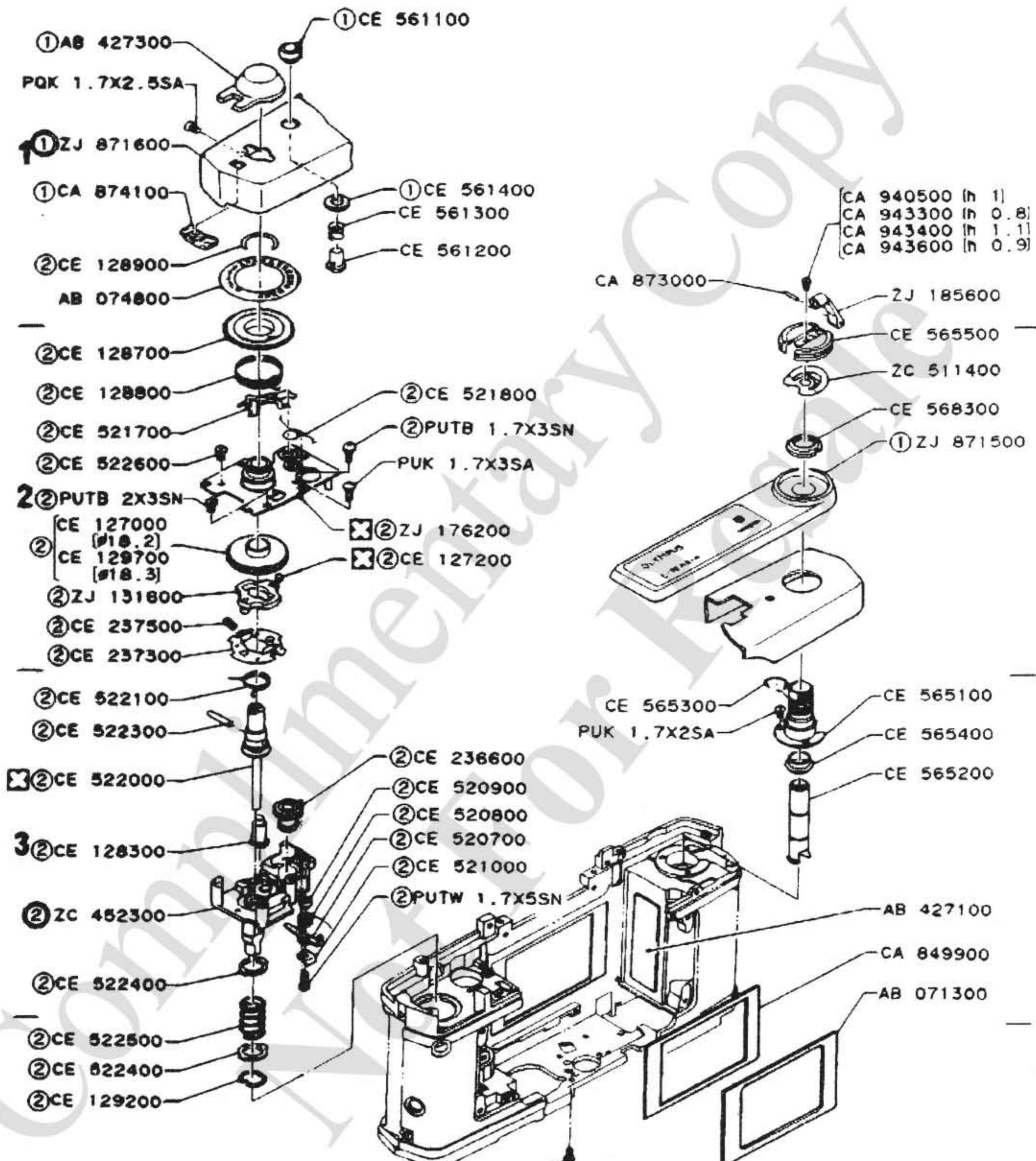
EXPLODED PARTS DIAGRAM

MODEL	UNIT	FIG
C-35AD-4		1/4

OLYMPUS OPTICAL CO., LTD. TOKYO, JAPAN

NOTE: WHEN ORDERING FOR SPARE PARTS, PLEASE CLARIFY A MODEL OR UNIT, PARTS NUMBER AND QUANTITY.

A | B | C | D

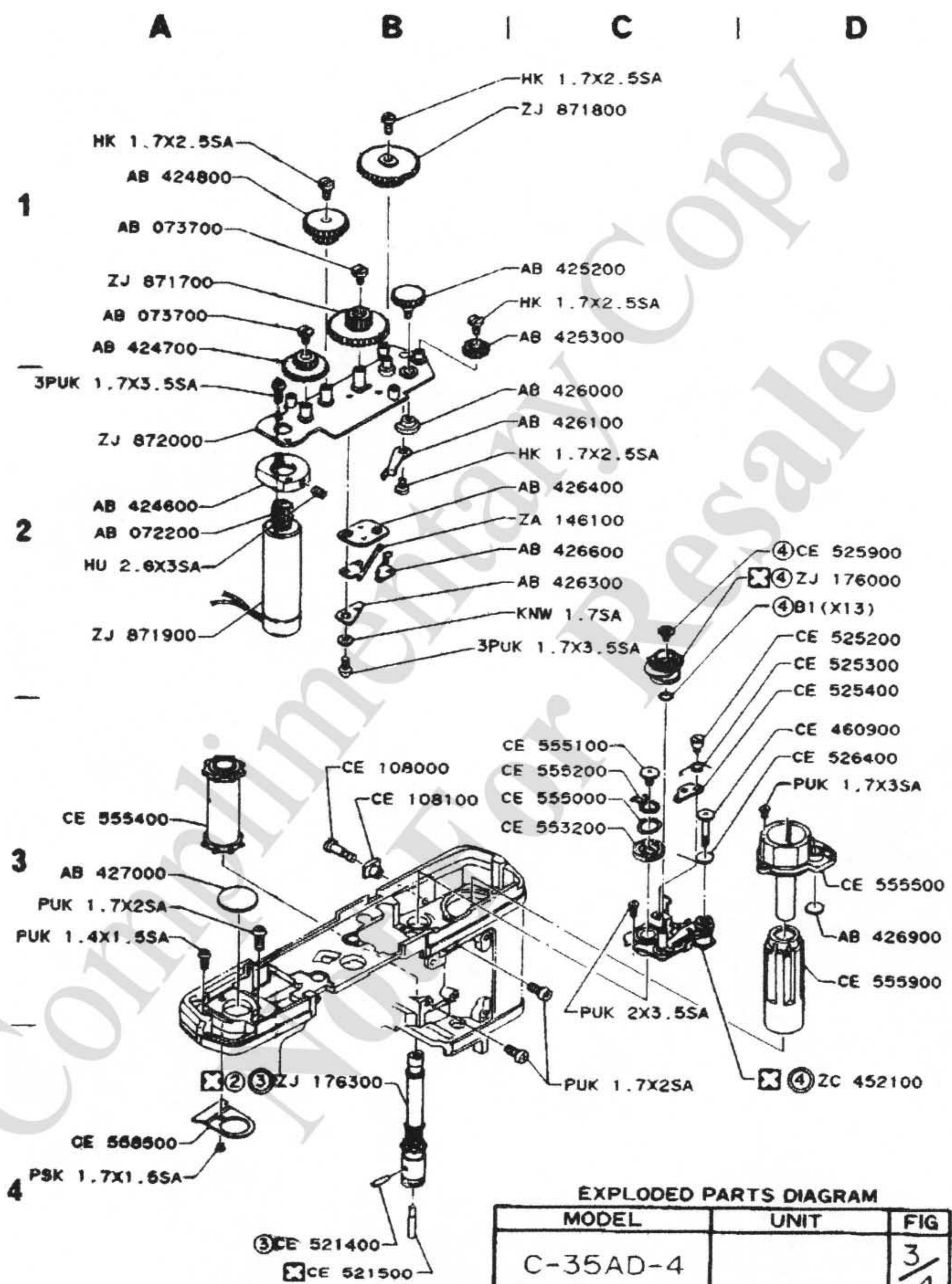


4

EXPLODED PARTS DIAGRAM

MODEL	UNIT	FIG
C-35AD-4		2/4
OLYMPUS OPTICAL CO., LTD. TOKYO, JAPAN		

NOTE: WHEN ORDERING FOR SPARE PARTS, PLEASE CLARIFY A MODEL OR UNIT, PARTS NUMBER AND QUANTITY.



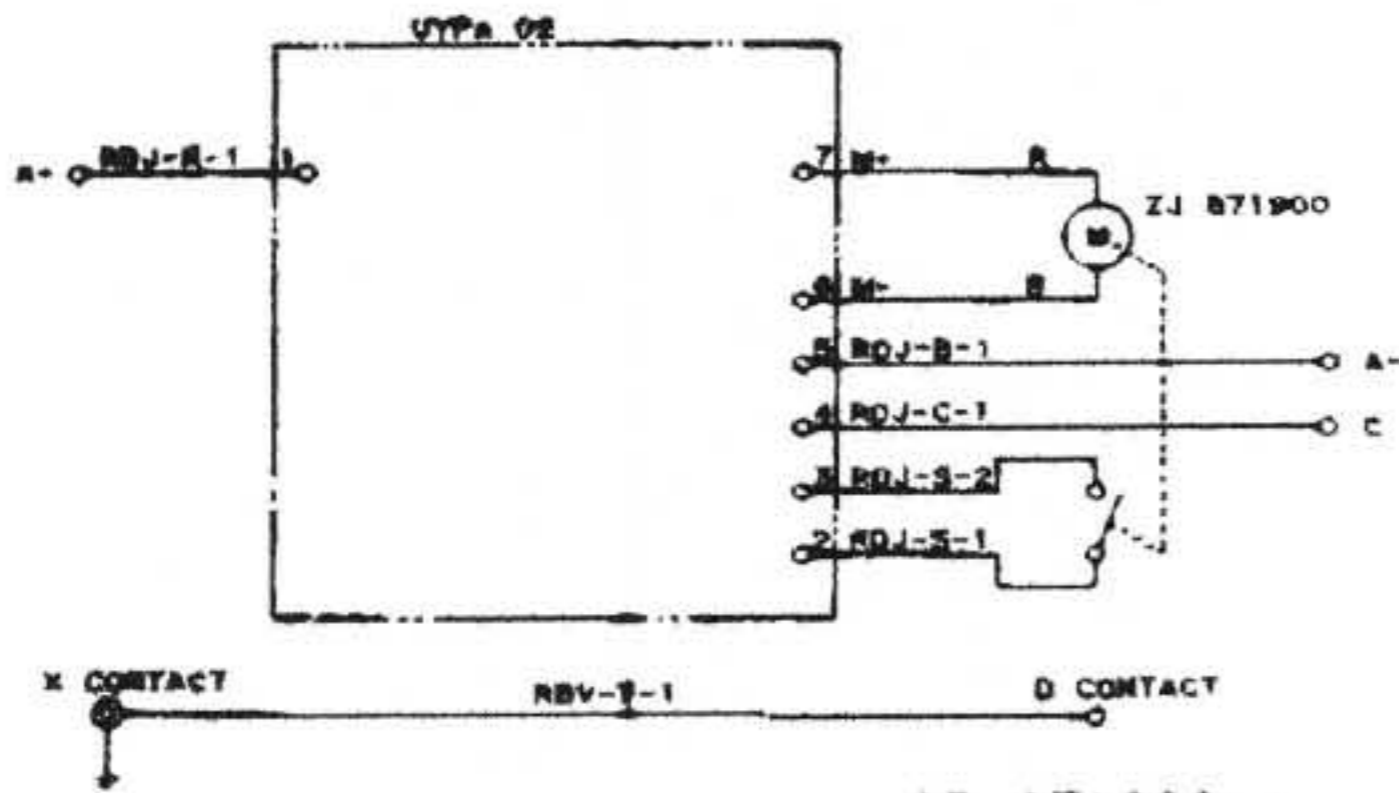
EXPLODED PARTS DIAGRAM

MODEL	UNIT	FIG
C-35AD-4		3/4
OLYMPUS OPTICAL CO., LTD. TOKYO, JAPAN		

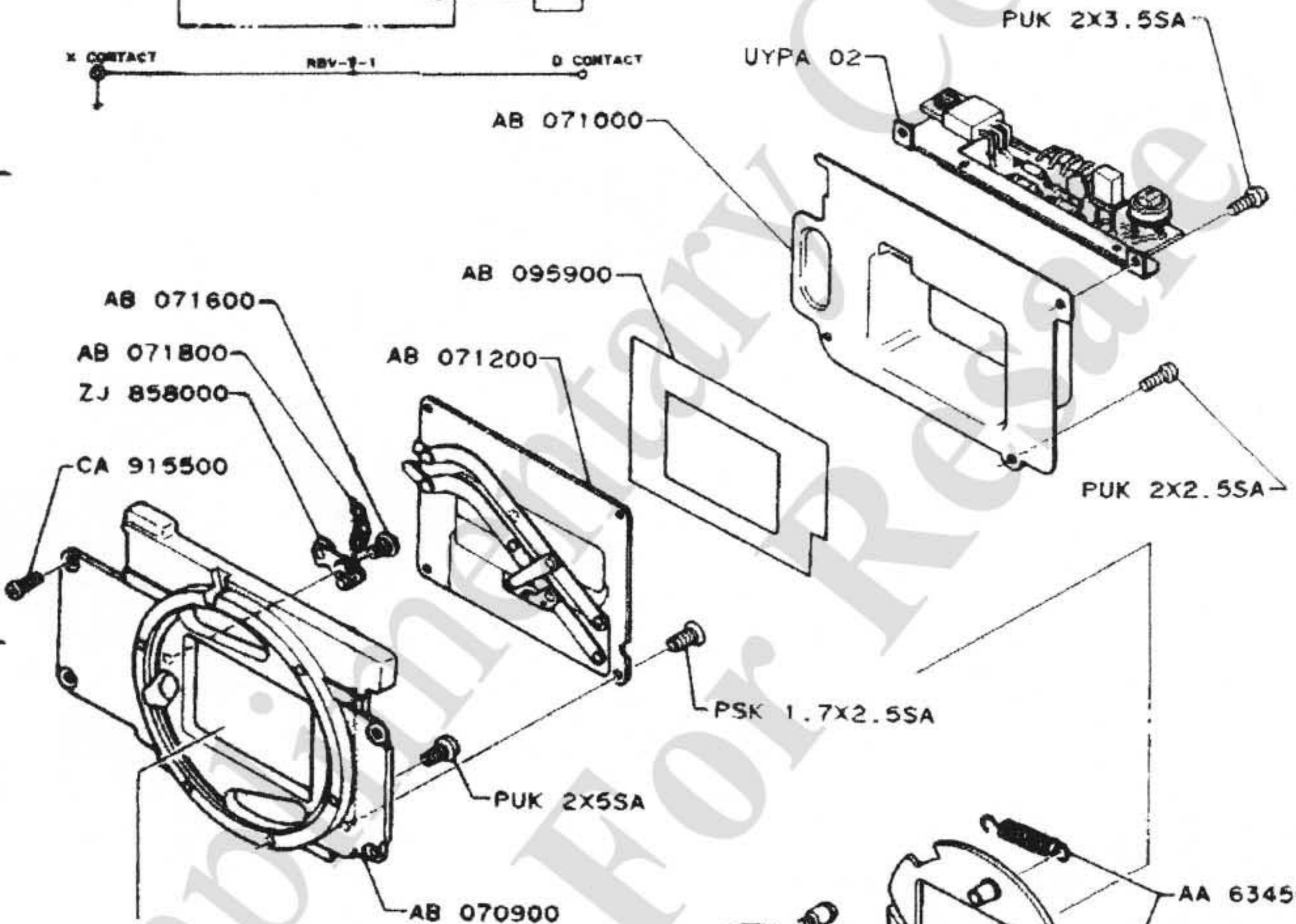
NOTE: WHEN ORDERING FOR SPARE PARTS, PLEASE CLARIFY A MODEL OR UNIT, PARTS NUMBER AND QUANTITY.

A | B | C | D

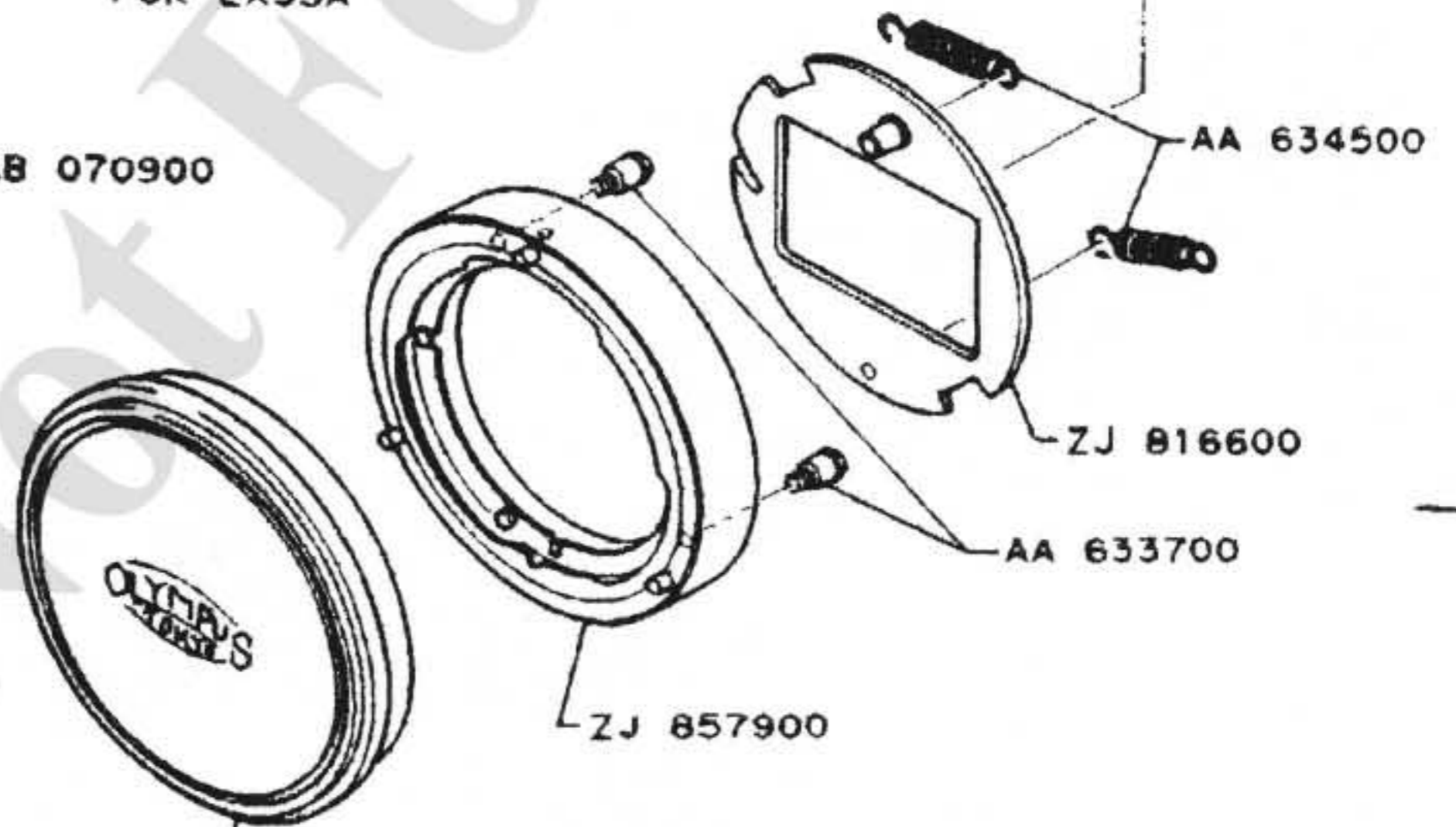
1



2



3



4

(AA 635100)

EXPLODED PARTS DIAGRAM

MODEL	UNIT	FIG
C-35AD-4		4 / 4

OLYMPUS OPTICAL CO., LTD. TOKYO, JAPAN

NOTE: WHEN ORDERING FOR SPARE PARTS, PLEASE CLARIFY A MODEL OR UNIT, PARTS NUMBER AND QUANTITY.