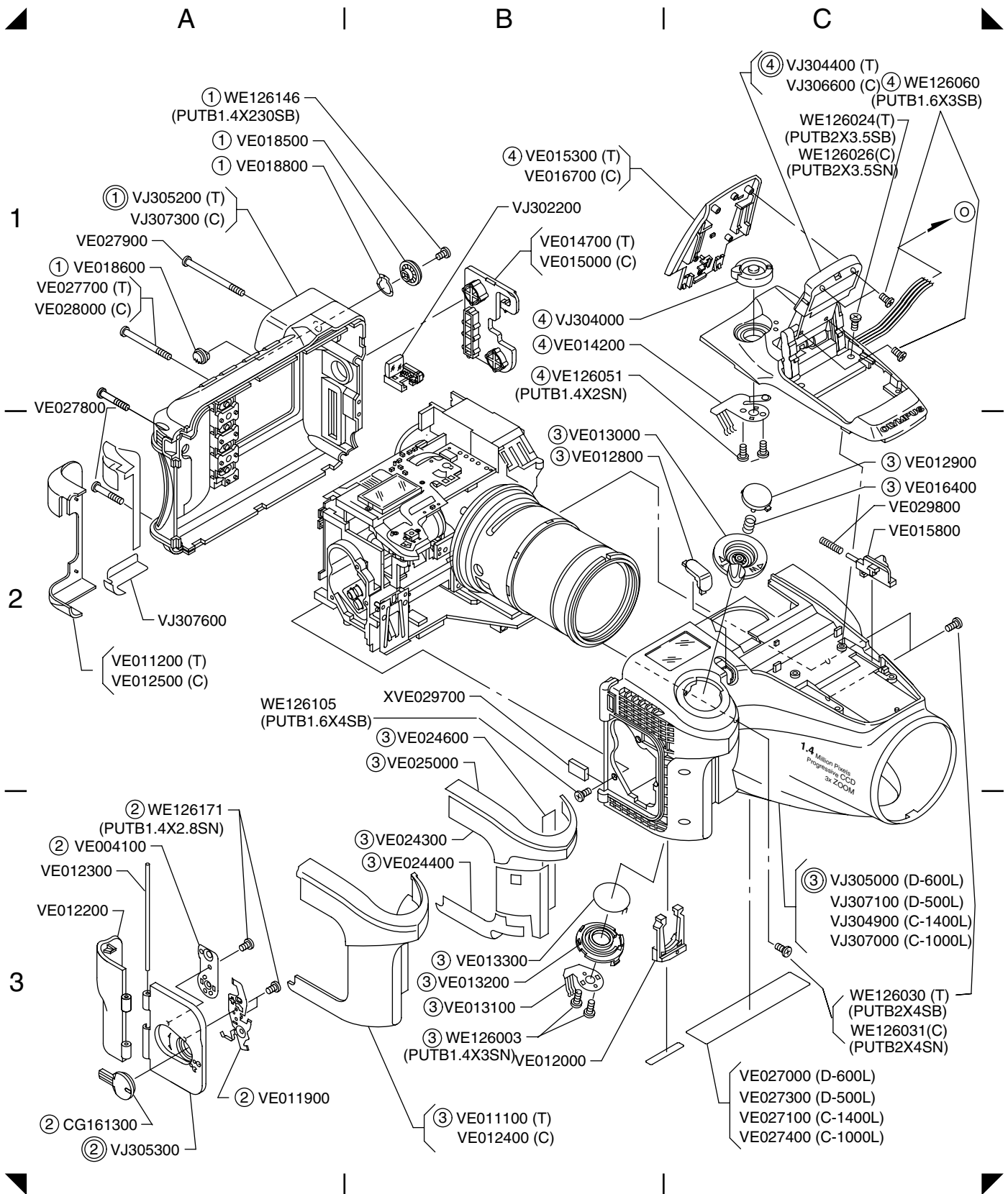


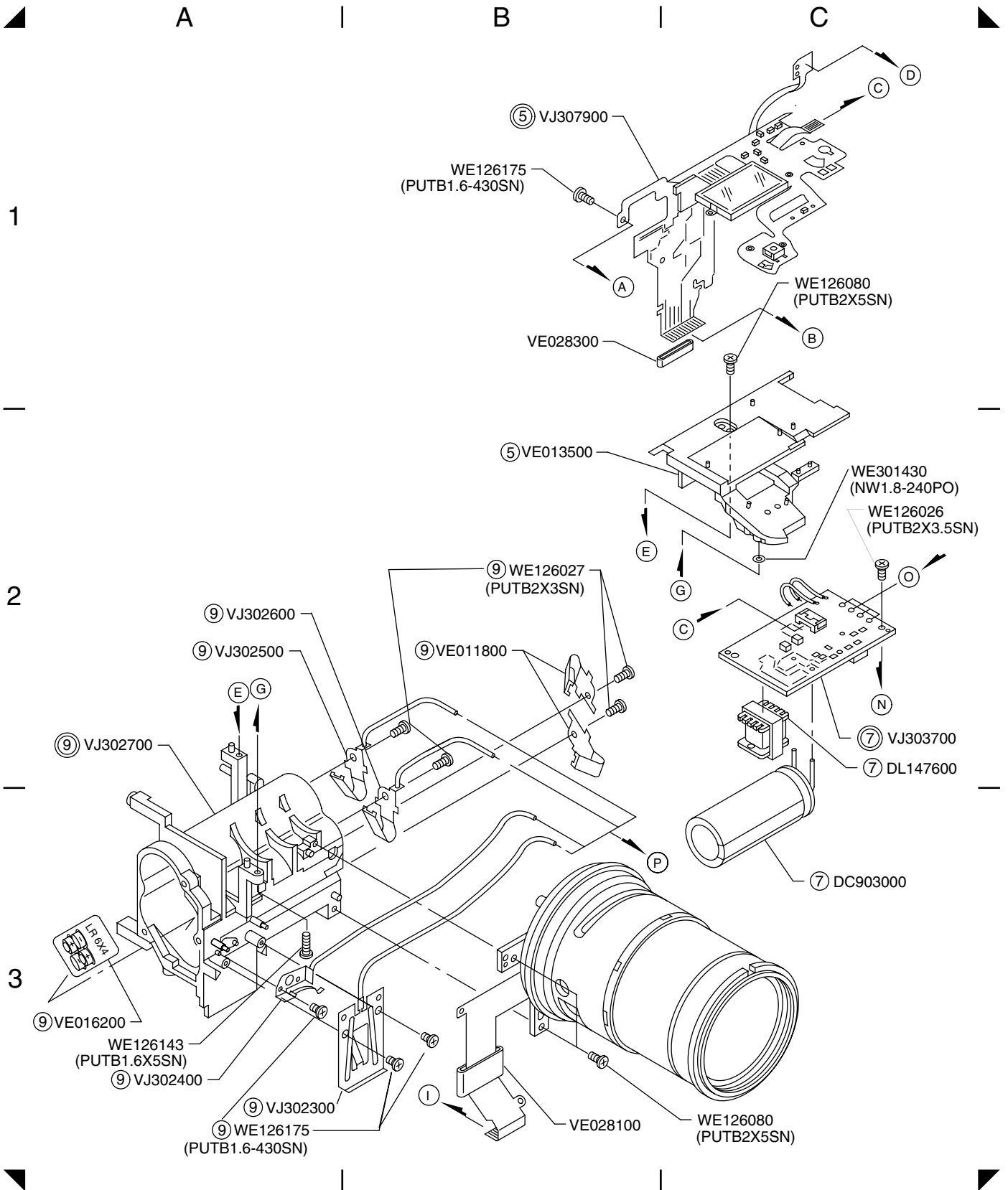
EXPLODED PARTS DIAGRAM



Note) (T):(C-1400L, D-600L)
(C):(C-1000L, D-500L)

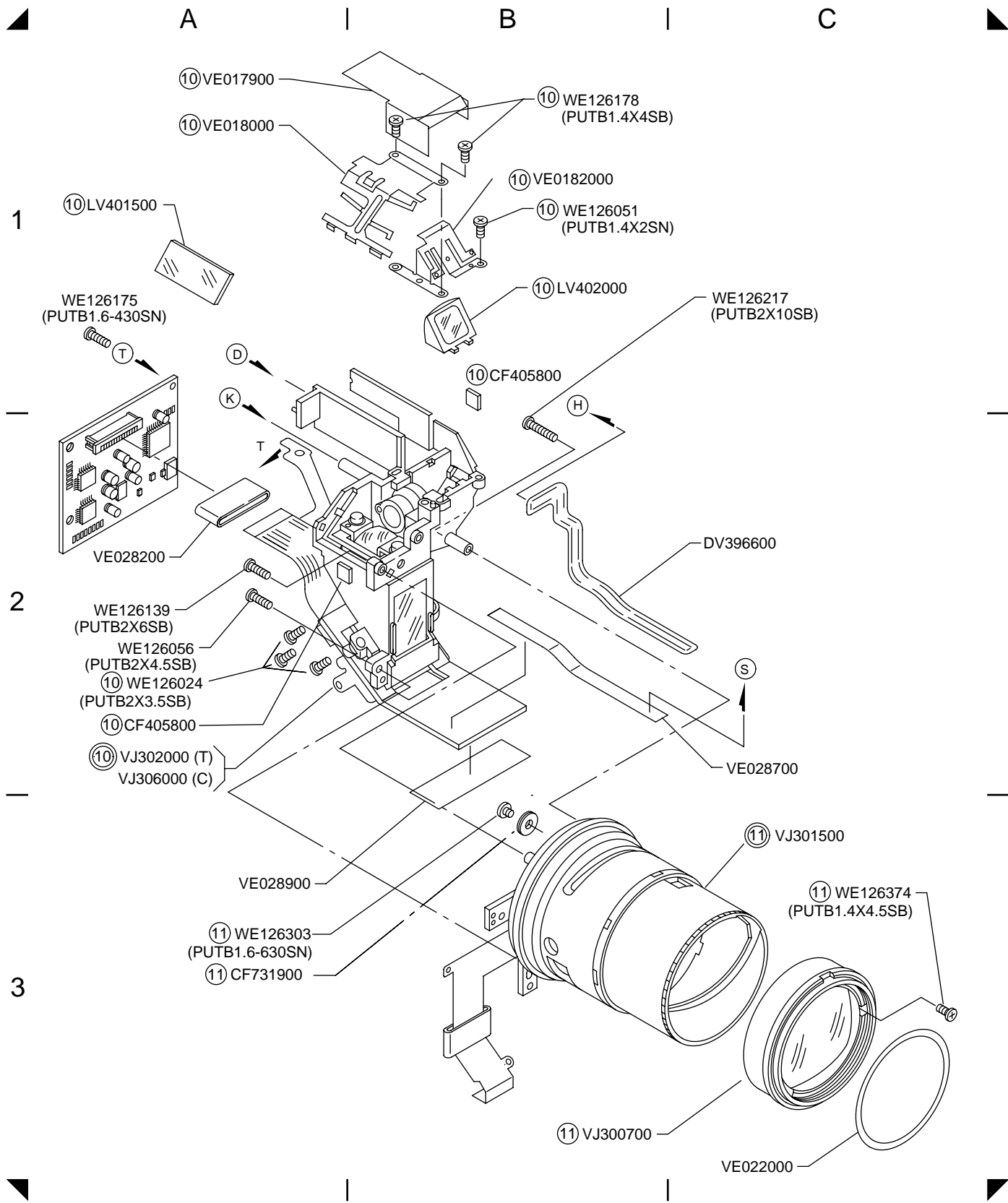
Ver.1.	C-1400L,C-1000L, D-600L, D-500L	Page	1/4		
Rev.	Date	Reference	Rev.	Date	Reference
1.0	1998.2				
2	1998.7				
3	1998.7				

EXPLODED PARTS DIAGRAM



Ver. 1	C-1400L, C-1000L, D-600L, D-500L		Page	2/4	
Rev.	Date	Reference	Rev.	Date	Reference
1.0	1998.2				
OLYMPUS OPTICAL CO., LTD. TOKYO, JAPAN					

EXPLODED PARTS DIAGRAM



**Note) (T):(C-1400L, D-600L)
(C):(C-1000L, D-500L)**

Ver.1	C-1400L,C-1000L, D-600L, D-500L	Page	4/4		
Rev.	Date	Reference	Rev.	Date	Reference
1.0	1998.2				

OLYMPUS
C-1400L/ D-600L
C-1000L/ D-500L

1/2

PARTS LIST

PARTS NO.	NAME OF PARTS	NOTE	PARTS NO.	NAME OF PARTS	NOTE
CF405800	Light Shield Tape	4-B1,A2	VE014200	RP Terminal	1-C1
CF731900	F.P.C. Connect Wasl		VE014500	TFT Base	3-A1
CG056300	DX Tape		VE014700	Connector Cover T	1-B1
CG161300	Battery Cover Konob	1-A3	VE015000	Connector Cover C	1-B1
DC903000	M Capacitor	2-C3	VE015300	ST Cover T	1-C1
DD029400	TFT LCD	3-A1	VE015800	ST Lock Lever	1-C2
DK712500	232C Jack	3-C2	VE016200	Battery Seal	2-A3
DK694900	DC Jack	3-B1	VE016400	R Spring	1-C2
DK696800	Centronics Connent	3-B1	VE016700	ST Cover C	1-C1
DL147600	M Transformer	2-C2	VE017900	F Cap 1	4-B1
DT044500	Battery Thermistor	3-B2	VE018000	F Cap 2	4-B1
DT070200	CCD Thermistor	3-C2	VE018200	F Cap 3	4-B1
DV393900	G Plane F.P.C.	3-C3	VE018500	Dioptr lever	1-B1
DV395700	FCC2 F.P.C.	4-B2	VE018600	Dioptr Gear	1-A1
DV396600	FCC3 F.P.C.	4-B2	VE018800	Dioptr Click	1-B1
DV398300	FCC4 F.P.C.	3-B1	VE022000	1G Seal	4-C3
LV401500	2-Mirror	4-A1	VE024300	Front Grip Tape 1	1-B3
LV402000	3-Prism	4-B1	VE024400	Front Grip Tape 2	1-B3
RGJ0-20		3-B1	VE024600	Front Grip Tape 4	1-B3
RGJ4-20		3-B1	VE025000	Front Grip Tape 5	1-B3
RIJ1-99		3-A1	VE026500	RS Sheet	3-C2
RIJ5-95		3-A1	VE026600	DC Sheet	3-B1
RIJ6-105		3-A1	VE026700	TFT Seal	3-A1
VE004100	Battery Contact-D1	1-A3	VE026800	TFT Sponge	3-A1
VE011100	Front Grip T	1-B3	VE026900	TFT Bottom Sponge	3-B3
VE011200	Rear Grip T	1-A2	VE027000	Model Seal TA	1-C3
VE011800	Battery Contact T2	2-B2	VE027100	Model Seal TJE	1-C3
VE011900	Battery Contact T3-D	1-A3	VE027300	Model Seal CA	1-C3
VE012000	Battery Case L	1-C3	VE027400	Model Seal CJE	1-C3
VE012200	Card Cover	1-A3	VE027700	DCH Cover Screw 1	1-A1
VE012300	B Cover Shaft	1-A3	VE027800	DCH Cover Screw 2	1-A1
VE012400	Fornt Grip C	1-B3	VE027900	DCH Cover Screw 3	1-A1
VE012500	Reaar Grip C	1-A2	VE028000	DCH Cover Screw C	1-A1
VE012800	Self LED Cover	1-C2	VE028100	Core L	2-B3
VE012900	Release Button	1-C2	VE028200	Core M	4-A2
VE013000	Z Lever	1-C2	VE028300	Core S	2-C1
VE013100	Z Contact	1-B3	VE028700	Capper Tape 1	4-B2
VE013200	RZ Base	1-B3	VE028800	Capper Tape 2	3-B1
VE013300	Z Lever Spring A	1-B3	VE028900	Capper Tape 3	4-B2
VE013500	SW Base	2-C2	VE029000	Capper Tape 4	3-B1
			VE029100	Capper Tape 5	4-B2
			VE029600	M Sponge	3-C3
			VE029700	M Spacer	1-B2
			VE029800	DCHST Spring	1-C2
			VJ300700	1G Frame #	4-C3
			VJ301500	Lens Frame #2	4-B3C3
			VJ302000	CCD-Finder T #1	4-B2
			VJ302200	Finder Lens #	1-B1

- : PARTS STILL AVAILABLE, = : PARTS NO LONGER AVAILABLE,
* : COCOM PARTS, +: NEW PARTS

Rev. 5

OLYMPUS
C-1400L/ D-600L
C-1000L/ D-500L

2/2

PARTS LIST

PARTS NO.	NAME OF PARTS	NOTE	PARTS NO.	NAME OF PARTS	NOTE
VJ302300	BU Battery Contact L	2-B3	WE301430	NW1.8-240PO	
VJ302400	BU Battery Contact 2	2-A3			
VJ302500	Battery Contact T1#	2-B2	DB102900	FUSE 2.5A 63V	PW C.B.A.(F501)
VJ302600	Battery Contact T1#	2-B3		F0805B2R50FWTRM	
VJ302700	Battery Case #	2-A3	KR046900	100KR 1/16W +-5%	Main C.B.A.(R325,R326)
VJ303100	Mian C.B.A. #2	3-C2		CRG16GT104J	
VJ303300	CCD C.B.A. T#2	3-B1	VE027600	Lens Cap	1-C3
VJ303400	PW C.B.A. #1	3-B1			
VJ303500	PW C.B.A. T #2	3-A1,B1			
VJ303700	ST C.B.A. #2	2-C2			
VJ304000	PR Lever #	1-C1			
VJ304400	ST Case T #2	1-C1			
VJ304900	Front Cover TJE #2	1-C2			
VJ305000	Front Cover TA #2	1-C2			
VJ305200	Rear Cover T #2	1-A1			
VJ305300	Battery Cover #	1-A3			
VJ306000	CCD-Finder C #1	4-B2			
VJ306300	CCD C.B.A. C #2	3-B1			
VJ306400	PW C.B.A.C #2	3-A1,B1			
VJ306600	ST Case C #2	1-C1			
VJ307000	Front Cover CJE #2	1-C2			
VJ307100	Rear Cover CA #2	1-C2			
VJ307300	Rear Cover C #2	1-A1			
VJ307600	Rear Grip Tape	1-A2			
VJ307900	SW Base #	2-C1,C2			
WE126003	PUTB1.4x3SN				
WE126024	PUTB2x3.5SB				
WE126026	PUTB2x3.5SN				
WE126027	PUTB2x3SN				
WE126030	PUTB2x4SB				
WE126031	PUTB2x4SN				
WE126051	PUTB1.4x2SN				
WE126056	PUTB2x4.5SB				
WE126060	PUTB1.6x3SB				
WE126080	PUTB2x5SN				
WE126102	PUTB1.6x3.5SN				
WE126105	PUTB1.6x4SB				
WE126139	PUTB2x6SB				
WE126143	PUTB1.6x5SN				
WE126146	PUTB1.4-230SB				
WE126164	PUTB2x7SN				
WE126171	PUTB1.4x2.8SN				
WE126175	PUTB1.6-430SN				
WE126178	PUTB1.4x4SB				
WE126217	PUTB2x10SB				
WE126303	PUTB1.6-630SN				
WE126374	PUTB1.4x4.5SB				
WE132053	3PUTB2x4SN				
WE132098	3PUTB2x3.5SN				

- : PARTS STILL AVAILABLE, = : PARTS NO LONGER AVAILABLE,
* : COCOM PARTS, +: NEW PARTS

Rev. 5