

Cabinet 1

① VC206600 (D-390)  
① VC220700 (C-150)

① VC207900

① VC208200

① VC205700

① VC205400  
VC275200  
VC205500

① VC206700(C-150)  
① VC220800(D-390)

VC964600(Jp)  
VC965800(En)

EXPLODED PARTS DIAGRAM

MODEL	FIG.
C-150/D-390	1/2
OLYMPUS OPTICAL CO.,LTD.TOKYO,JAPAN	

Ver.1  
2003.4

A

B

C

D

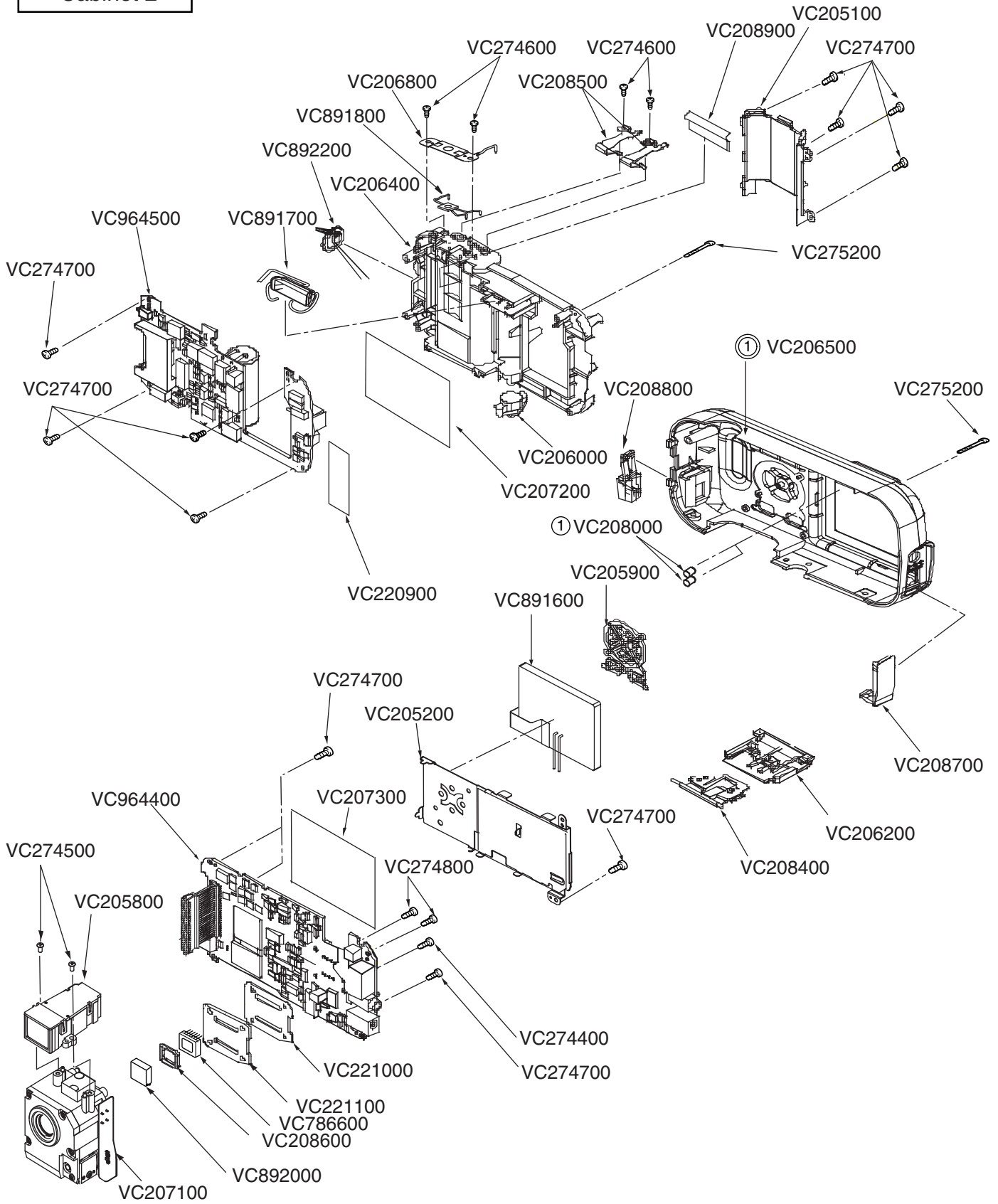
## Cabinet 2

1

2

3

4



## EXPLODED PARTS DIAGRAM

MODEL	FIG.
C-150/D-390	2/2
OLYMPUS OPTICAL CO.,LTD.TOKYO,JAPAN	

Ver.1  
2003.4

## PARTS LIST

C-150/D-390

REF No.	PARTS NO	DESCRIPTION	REMARKS	NOTE
	VC205100	BATTERY BOX	2-D1	NEW
	VC205200	ASSY,TFT HOLDER	2-B3	NEW
	VC205300	RELEASE BUTTON	1-C1	NEW
	VC205400	SELF TIMER LED PIPE	1-C2	NEW
	VC205500	LENS RING	1-B2	NEW
	VC205600	SLIDE COVER SWITCH CAM	1-D1	NEW
	VC205700	SLIDE COVER SWITCH CAM AXIS	1-B1	NEW
	VC205800	ASSY,FINDER	2-A3	NEW
	VC205900	NAVIGATION BUTTON	2-C2	NEW
	VC206000	SPIDER SEAT	2-C2	NEW
	VC206200	BATTERY COVER	2-D3	NEW
	VC206300	XD CARD COVER	1-B1	NEW
	VC206400	FRAME	2-B1	NEW
	VC206500	ASSY,BACK COVER	2-D2	NEW
	VC206600	ASSY,SLIDE COVER D-390	1-A2	NEW
	VC206700	ASSY,FRONT COVER C-150	1-C2	NEW
	VC206800	PLATE,RELEASE HOLD	2-B1	NEW
	VC206900	FRONT COVER	1-C1	NEW
	VC207100	ASSY,LENS	2-A4	NEW
	VC207200	POWER PCB ESD PROTECTOR	2-C2	NEW
	VC207300	MAIN PCB ESD PROTECTOR	2-B3	NEW
	VC207400	CONN	1-D1	NEW
	VC207900	STEEL BALL	1-A1	NEW
	VC208000	LIGHT PIPE	2-C2	NEW
	VC208100	RELEASE BUTTON SPRING	1-C1	NEW
	VC208200	SLIDE COVER LOCAT SPRING	1-B1	NEW
	VC208300	XD CARD COVER AXIS	1-B3	NEW
	VC208400	BATTERY COVER CONNECTOR UNIT	2-D3	NEW
	VC208500	SINGLE PRESS-FRAME	2-C1	NEW
	VC208600	SPACER RUBBER	2-B4	NEW
	VC208700	DC IN & VEDIO OUT RUBBER COVER	2-D3	NEW
	VC208800	USB RUBBER COVER	2-C2	NEW
	VC208900	SINGLE PRESS-FRAME PROTECTOR	2-D1	NEW
	VC220700	SLIDE COVER C-150	1-A2	NEW
	VC220800	ASSY,FRONT COVER D390	1-C2	NEW
	VC220900	MAIN CAP SPONGE	2-B2	NEW
	VC221000	CCD PLATE	2-B4	NEW
	VC221100	FIXED PLATE FOR CCD	2-B4	NEW
	VC274400	SCREW		NEW
	VC274500	SCREW M1.4X4		NEW
	VC274600	SCREW		NEW
	VC274700	SCREW 1.7X4		NEW
	VC274800	SCREW		NEW
	VC274900	SCREW 1.7X3		NEW
	VC275000	SCREW		NEW
	VC275100	SCREW		NEW
	VC275200	SCREW		NEW
	VC786600	CCD	2-B4	NEW
	VC891600	ASSY,TFT	2-C2	NEW
	VC891700	REFLECTER UNIT	2-B1	NEW
	VC891800	ASSY,RELEASE SWITCH	2-B1	NEW
	VC891900	FUSE	MAIN	NEW
	VC892000	LPF	2-B4	NEW
	VC892100	SLIDE COVER SWITCH	1-D1	NEW

## PARTS LIST

C-150/D-390

REF No.	PARTS NO	DESCRIPTION	REMARKS	NOTE
	VC892200	SPEAKER	2-B1	NEW
	VC894400	TV OUT JACK	MAIN	NEW
	VC894500	POWER JACK	MAIN	NEW
	VC894600	USB CONNECTOR	MAIN	NEW
	VC894700	CARD SWITCH	POWER	NEW
	VC964200	BATTERY LABEL	1-D3	NEW
	VC964400	MAIN PCB UNIT	2-A3	NEW
	VC964500	POWER PCB UNIT	2-A2	NEW
	VC964600	XD CARD-LABEL-JP	1-B4	NEW
	VC965800	XD CARD-Label-En	1-B4	NEW
	VT4489	SERIAL LABEL J (C-150-J)		NEW
	VT4490	SERIAL LABEL E (D-390-U)		NEW
	VT4491	SERIAL LABEL E (C-150-E)		NEW
	VT4492	SERIAL LABEL G (C-150-G)		NEW
	VT4494	SERIAL LABEL K (C-150-K)		NEW
	VT4647	SERIAL LABEL CC (C-150-C)		NEW
	VT4768	SERIAL LABEL E2 (D-390-E)		NEW