

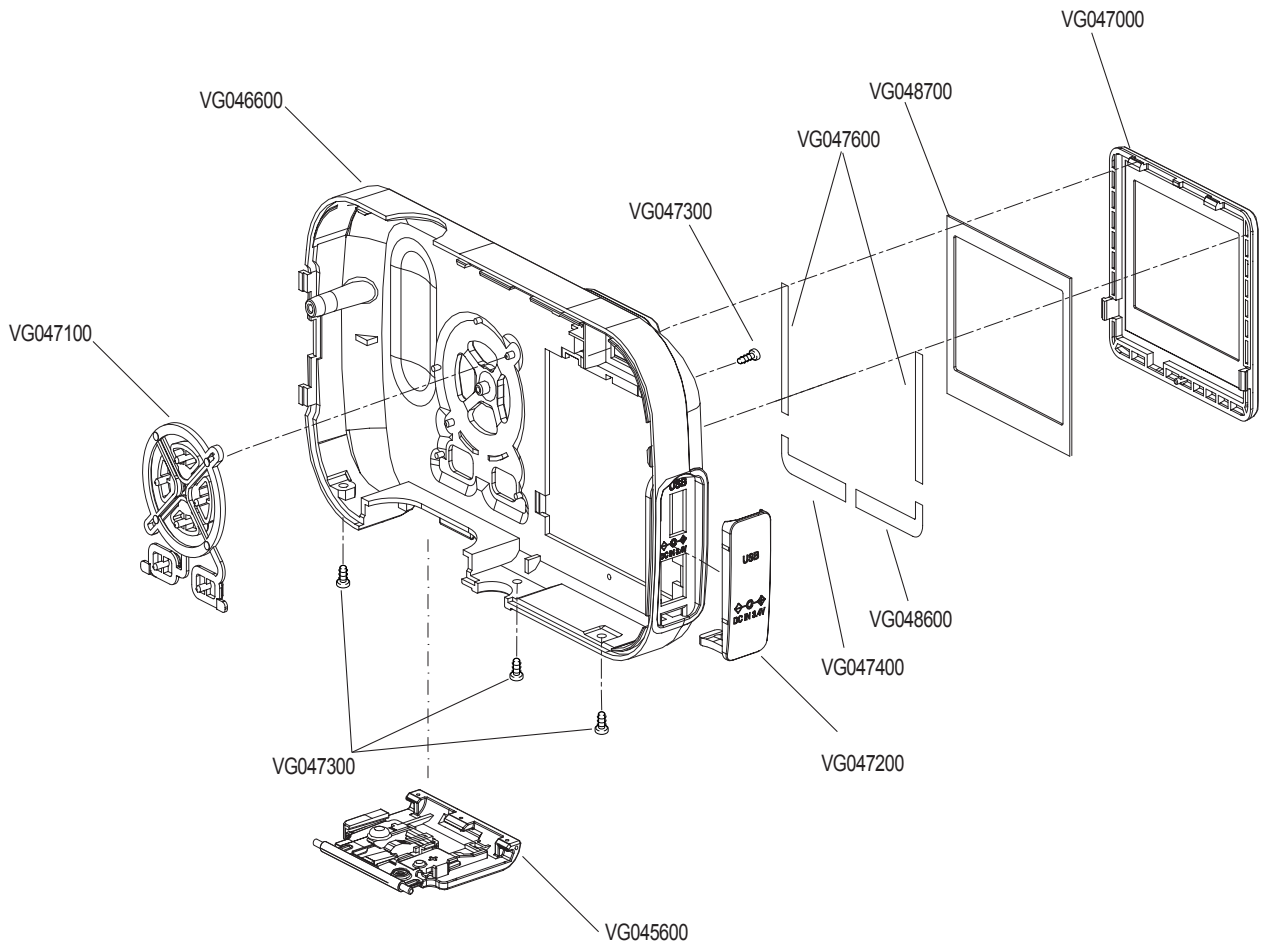
A

B

C

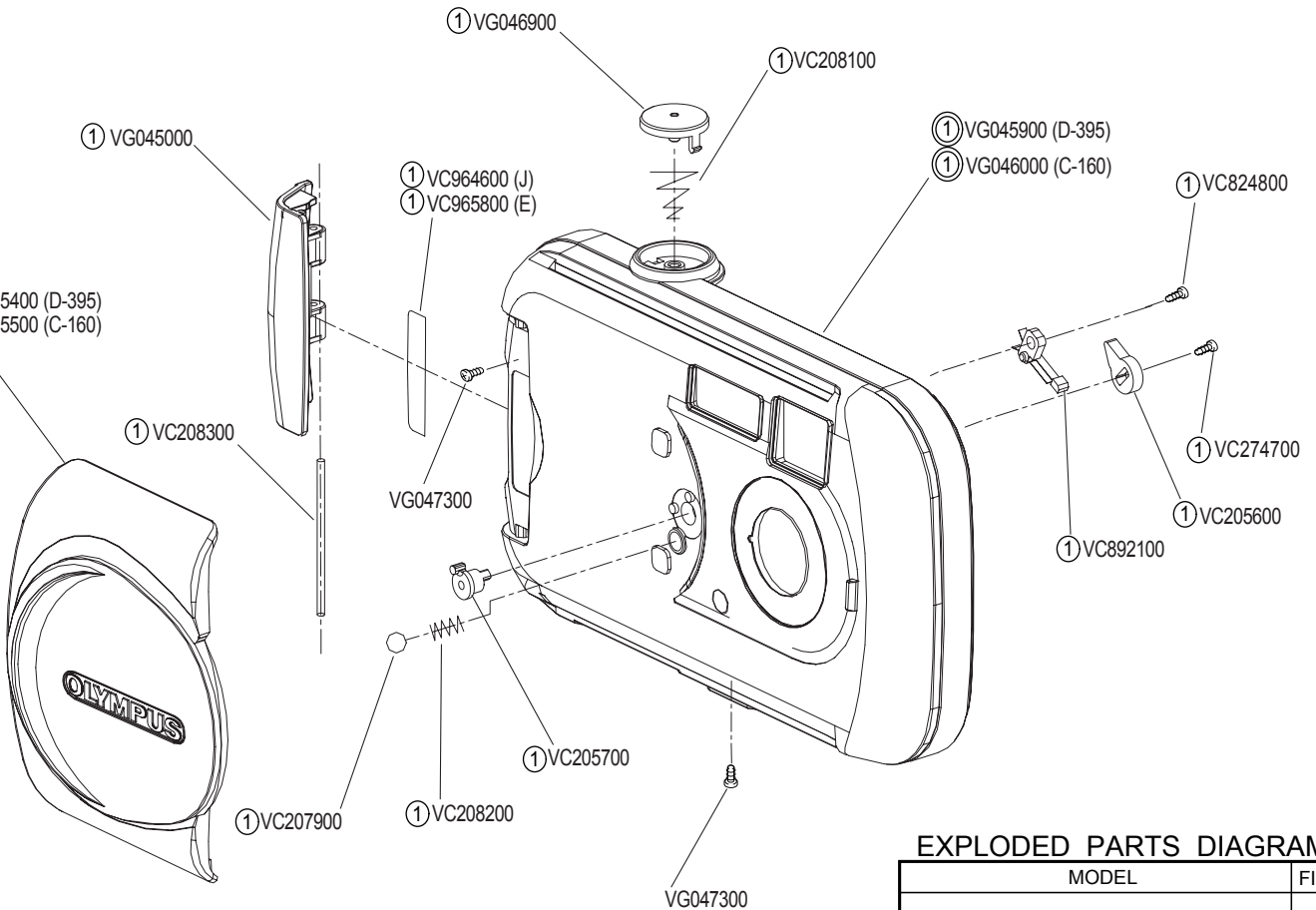
D

1



2

3



4

### EXPLODED PARTS DIAGRAM

MODEL	FIG.
C-160 / D-395	1/2
<b>OLYMPUS CORPORATION</b>	

Ver.1  
2004.05

A

B

C

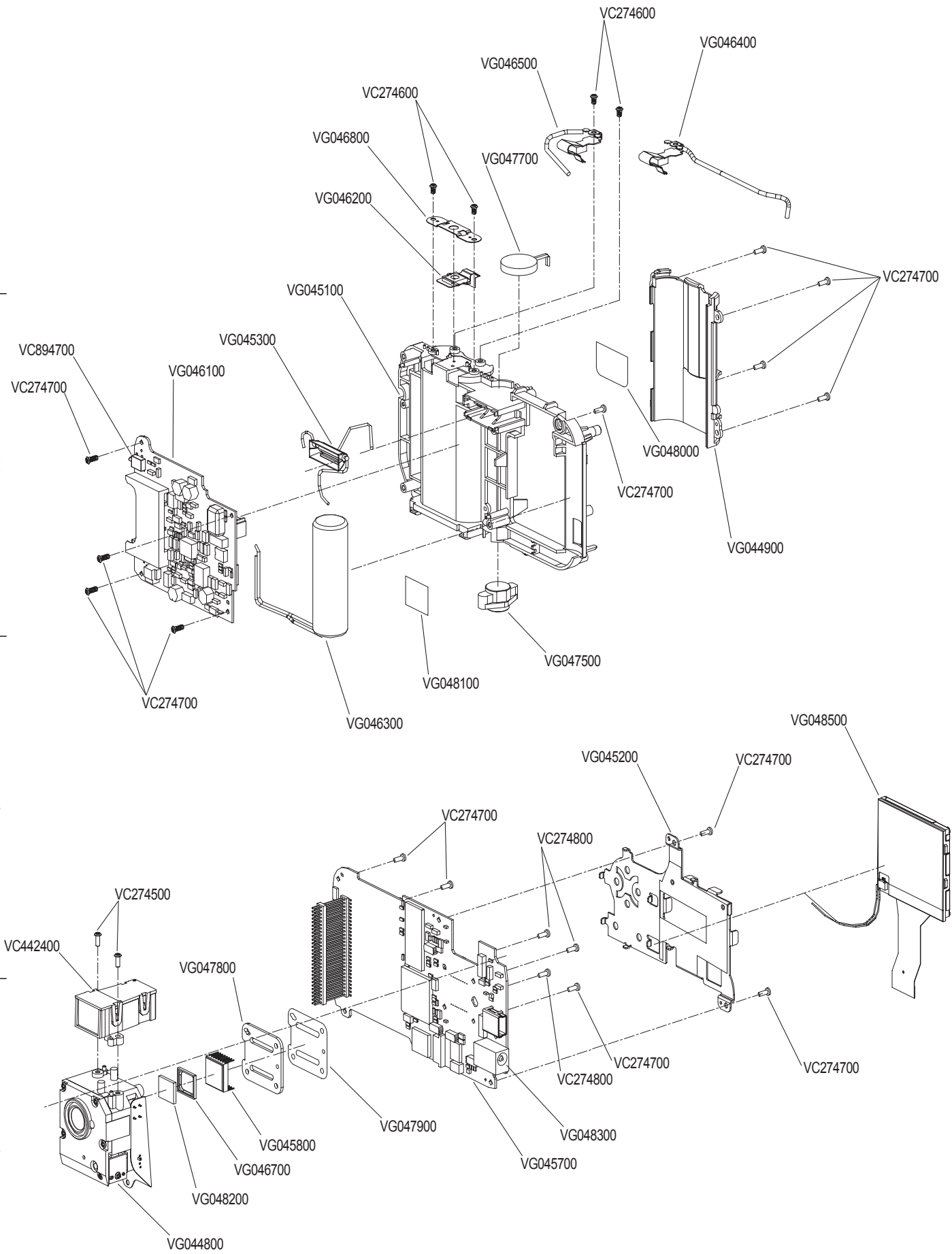
D

1

2

3

4



EXPLODED PARTS DIAGRAM

MODEL	FIG.
C-160 / D-395	2/2
<b>OLYMPUS CORPORATION</b>	

Ver.1  
2004.05

## PARTS LIST

C-160/D-395

REF NO	PARTS NO	DESCRIPTION	REMARKS	NOTE
	VC205600	SLIDE COVER SWITCH CAM	1-D4	
	VC205700	SLIDE COVER SWITCH CAM AXIS	1-B4	
	VC207900	STEEL BALL	1-B4	
	VC208100	RELEASE BUTTON SPRING	1-C3	
	VC208200	SLIDE COVER LOCAT SPRING	1-B4	
	VC208300	XD CARD COVER AXIS	1-B4	
	VC274500	SCREW		
	VC274600	SCREW		
	VC274700	SCREW		
	VC274800	SCREW		
	VC442400	FINDER UNIT	2-A4	NEW
	VC824800	SCREW		NEW
	VC892100	SLIDE COVER SWITCH	1-D4	
SW1	VC894700	XD CARD SW	2-A2	
	VC964600	XD CARD-Label-JP	1-B3	
	VC965800	XD CARD-Label-EN	1-B3	
	VG044800	LENS UNIT	2-A4	NEW
	VG044900	BATTERY BOX	2-C2	NEW
	VG045000	XD CARD COVER	1-A3	NEW
	VG045100	FRAME	2-B2	NEW
	VG045200	TFT HOLDER UNIT	2-C3	NEW
	VG045300	FLASH UNIT	2-B2	NEW
	VG045400	SLIDE COVER UNIT D395	1-A4	NEW
	VG045500	SLIDE COVER UNIT C160	1-A4	NEW
	VG045600	BATTERY COVER UNIT	1-B2	NEW
	VG045700	MAIN PCB UNIT	2-B4	NEW
	VG045800	CCD	2-A4	NEW
	VG045900	FRONT COVER UNIT D395	1-C4	NEW
	VG046000	FRONT COVER UNIT C160	1-C4	NEW
	VG046100	POWER PCB UNIT	2-A2	NEW
	VG046200	RELEASE SWITCH UNIT	2-B1	NEW
	VG046300	CAP UNIT	2-B2	NEW
	VG046400	SINGLE PRESS-FRAME UNIT -	2-C1	NEW
	VG046500	SINGLE PRESS-FRAME UNIT +	2-C1	NEW
	VG046600	BACK COVER UNIT	1-B1	NEW
	VG046700	SPACER RUBBER	2-A4	NEW
	VG046800	RELEASE SWITCH ESD PLATE	2-B1	NEW
	VG046900	RELEASE BUTTON	1-C3	NEW
	VG047000	TFT PANEL	1-D1	NEW
	VG047100	NAVIGATION BUTTON	1-A2	NEW
	VG047200	DC IN & USB RUBBER COVER	1-C2	NEW
	VG047300	SCREW		NEW
	VG047400	TFT BOARD PROTECTOR1	1-C2	NEW
	VG047500	SPIDER SEAT	2-C2	NEW
	VG047600	TFT BOARD PROTECTOR3	1-C2	NEW
	VG047700	SPEAKER	2-C1	NEW
	VG047800	FIXED PLATEFOR CCD	2-B4	NEW
	VG047900	CCDPLATEFOR	2-B4	NEW
	VG048000	Battery-Label	2-C2	NEW
	VG048100	MC PROTECTOR	2-B2	NEW
	VG048200	LPF	2-A4	NEW
J3	VG048300	DC JACK	2-C4	NEW
F1	VG048400	FUSE	MAIN	NEW

## PARTS LIST

C-160/D-395

REF NO	PARTS NO	DESCRIPTION	REMARKS	NOTE
	VG048500	LCD UNIT	2-D3	NEW
	VG048600	TFT BOARD PROTECTOR2	1-C2	NEW
	VG048700	SPONGE	1-D1	NEW
	VT4493	Label MC		NEW
	VT5106	Sticker MC for C-160G		NEW
	VT7795	T Label E for C-160		NEW
	VT7796	T Label E 2 for D-395		NEW
	VT7797	T Label G		NEW
	VT7798	T Label K		NEW
	VT7799	T Label CC		NEW
	VT7845	T Label J		NEW
	VT7846	T Label U		NEW