

EXPLODED PARTS DIAGRAM

MODEL	HOUSE CODE or UNIT	FIG.
C-2020ZOOM	D4843	1/3
OLYMPUS OPTICAL CO.,LTD.TOKYO,JAPAN		

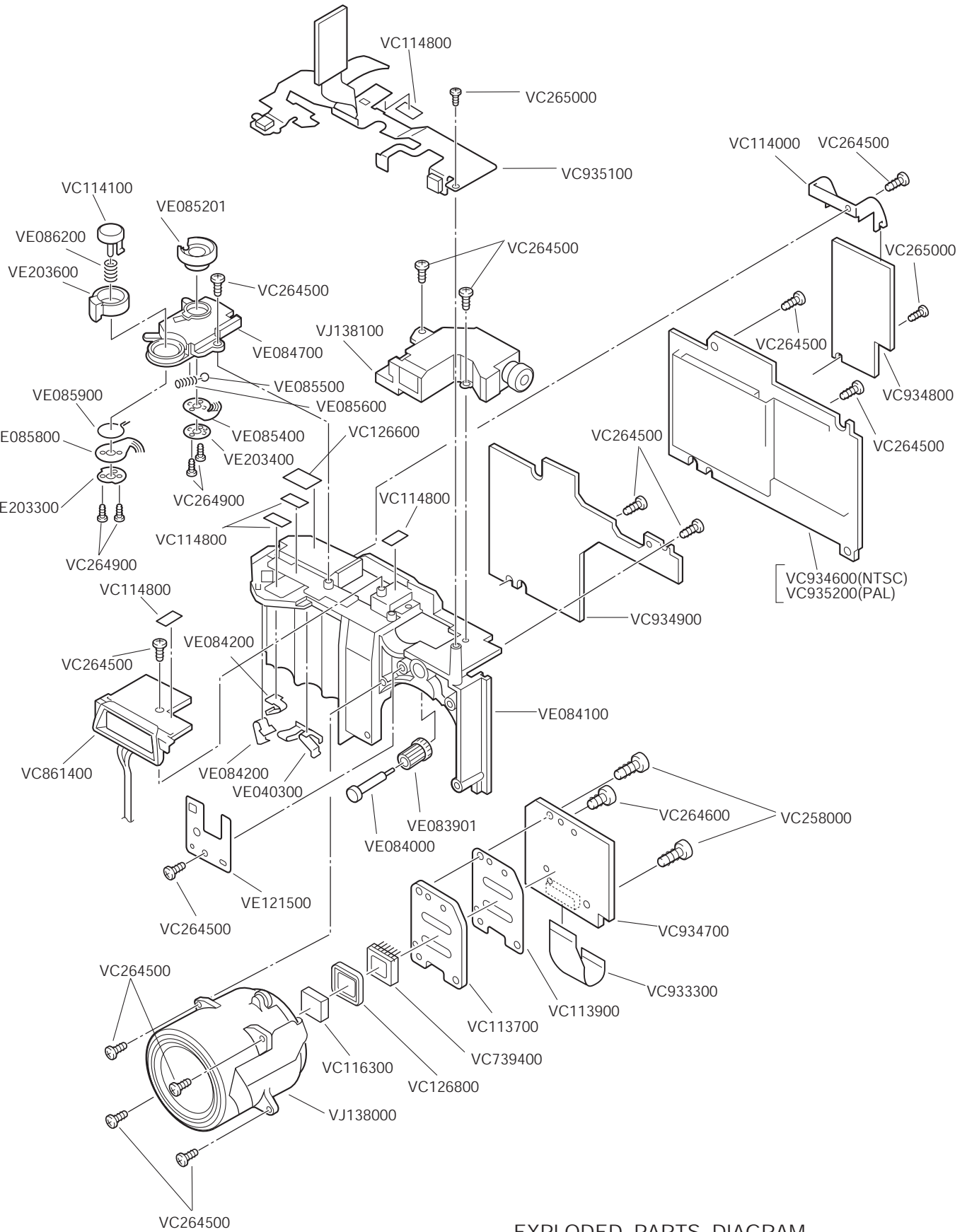
A | B | C | D

1

2

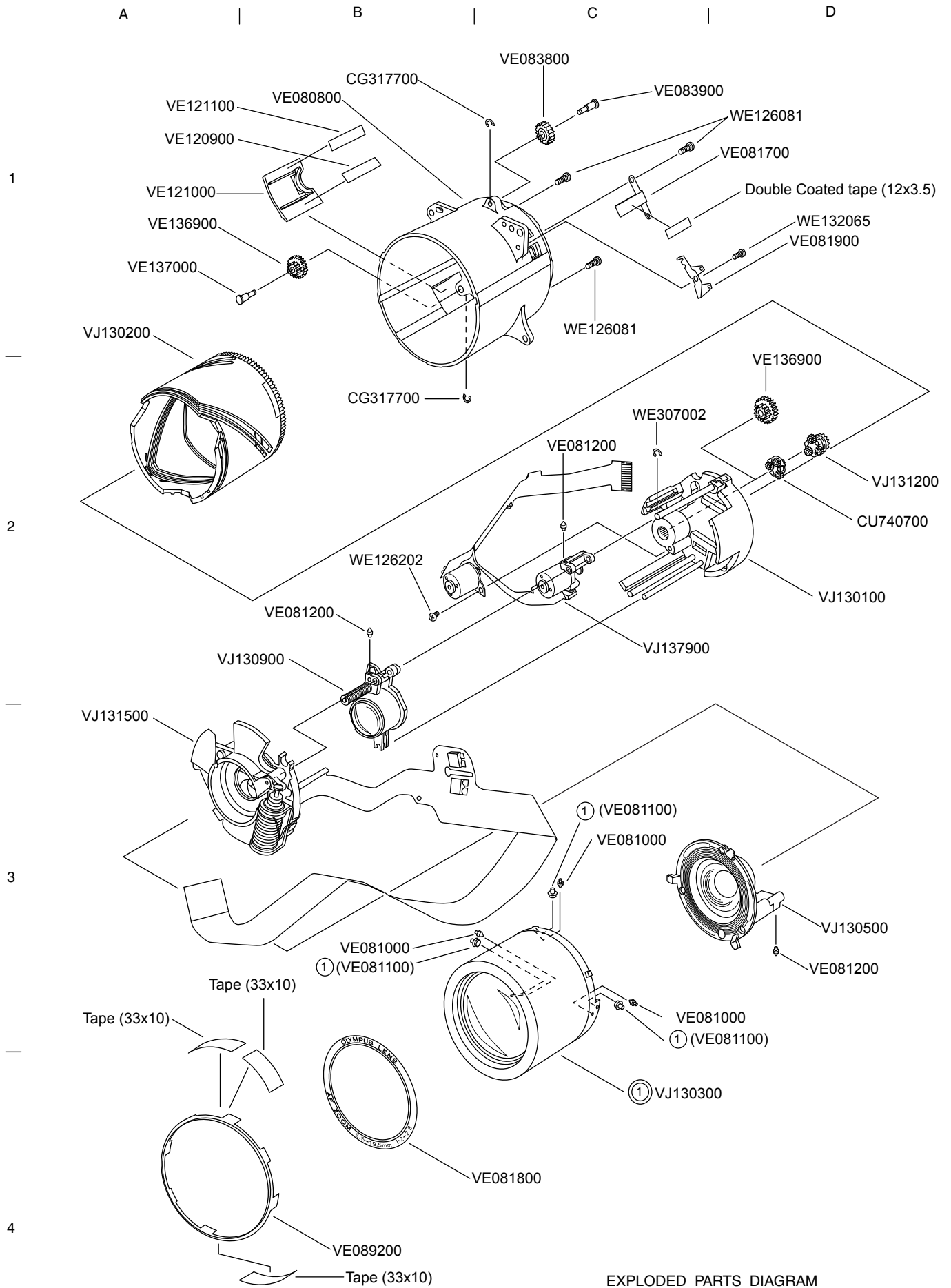
3

4



EXPLODED PARTS DIAGRAM

MODEL	HOUSE CODE or UNIT	FIG.
C-2020ZOOM	D4843	2/3
OLYMPUS OPTICAL CO.,LTD.TOKYO,JAPAN		



EXPLODED PARTS DIAGRAM

MODEL	FIG.
C-2020 ZOOM	3/3
OLYMPUS OPTICAL CO., LTD. TOKYO, JAPAN	

Ver.1/Rev.10
2003.06

PARTS LIST

C-2020ZOOM

REF NO	PARTS NO	DESCRIPTION	REMARKS	NOTE
	CE569200	CAP X	1-C4	
	CG317700	3G STOPPER	3-B1,B2	
	CU740700	CARRIER A#	3-D2	
	VC113700	MOUNTING,LENS	2-C3	
	VC113900	SPACER INSULATOR	2-C3	
	VC114000	HOLDER BRKT SY	2-D1	
	VC114100	ASSY,BUTTON RELEASE	2-A1	
	VC114500	COMPL,COVER BATTERY	1-D4	
	VC114600	ADHESIVE TAPE FRONT	1-A3	
	VC114700	ADHESIVE TAPE,D	1-D1,C1	
	VC114800	ADHESIVE TAPE F	1-A2,2-A2,B1,B2	
	VC114900	ADHESIVE TAPE G	1-B2	
	VC115100	TERMINAL X1	1-C4	
	VC115200	TERMINAL X2	1-C4	
	VC115300	SHIELD TAPE	1-B3	
	VC115400	SHIELD TAPE	1-B3	
	VC115500	SPACER MONITOR LIGHT	1-B2	
	VC115700	SPACER MON LIGHT,B	1-A2	
	VC115800	SPACER MON LIGHT,C	1-B2	
	VC115900	SHIELD TAPE	1-B3	
	VC116300	OPTICAL FILTER	2-B4	
	VC116400	PAD(L=15)	1-C3	
	VC126600	ADHESIVE TAPE H,B	2-B2	NEW
	VC126700	SPACER SHIELD M,B	1-B2	NEW
	VC126800	SPACER	2-B3	NEW
	VC127000	ASSY,CABI TOP	1-A1	NEW
	VC127100	COMPL,CABI FRONT	1-A3	NEW
	VC258000	SCR S-TPG PAN 2X6	2-C3,D3	
	VC264400	SCR S-TPG PAN PCS 1.7X2.5	1-D3	
	VC264500	SCR S-TPG PAN PCS 1.7X4.0	1-A2	
	VC264600	SCR PAN 2X2.5	2-C3	
	VC264700	SCR S-TPG PAN PCS 1.7X3.5	1-A1,B1	
	VC264800	SCR S-TPG PAN PCS 1.7X8.0	1-C1	
	VC264900	SCR S-TPG PAN PCS 1.4X2.5	1-D3,2-B2	
	VC265000	SCR S-TPG PAN PCS 1.4X3.5	1-A1,2-D1	
	VC265500	SPECIAL SCREW-1.4X2	1-A2	
	VC265700	SPECIAL SCREW-2.0X2.5 (OLD)	1-C3,B4	NEW
	VC265800	SPECIAL SCREW-2.0X3.5 (OLD)	1-A3	NEW
	VC265900	SPECIAL SCREW-1.6X3.5	1-A2	NEW
	VC271800	SPECIAL SCREW (NEW)	1-A3	NEW
	VC739400	IC ICX224AK-B (CCD)	2-C3	
	VC861400	COMPL,REFLECTOR	2-A3	
	VC864400	LCD	1-C2	NEW
	VC933300	FLEXIBLE PWB	2-C3	
	VC934600	COMPL CA-2 [(J),(U),(G)NTSC]	2-D2	NEW
	VC934700	COMPL CA-1	2-C3	NEW
	VC934800	COMPL SY-1	2-D1	NEW
	VC934900	COMPL ST-1	2-C2	NEW
	VC935000	FLEXIBLE PWB2,JOINT	1-B2	NEW
	VC935100	ASSY,UNIT,FLEXIBLE PWB	2-B1	NEW
	VC935200	COMPL CA-2 [(E),(G) PAL]	2-D2	NEW
	VE025100	HOLDER X	1-B4	

PARTS LIST

C-2020ZOOM

REF NO	PARTS NO	DESCRIPTION	REMARKS	NOTE
	VE040300	TERMINAL BATTERY,D	2-B3	
	VE080800	C HOLDER	3-B1	NEW
	VE081000	CAM PIN A	3-B3,C3	NEW
	VE081200	CAM PIN C	3-B2,C2	NEW
	VE081700	FPC PLATE	3-D1	NEW
	VE081800	DEC LENS	3-C4	NEW
	VE081900	PR PLATE	3-D1	NEW
	VE083800	CAM GEAR	3-C1	NEW
	VE083900	CAMGEAR SHAF	3-C1	NEW
	VE083901	GEAR	2-C3	NEW
	VE084000	SHAFT GEAR	2-B3	
	VE084100	HOLDER CHASSIS	2-B2	
	VE084200	TERMINAL P,B	2-B3	
	VE084300	COVER BATTERY	1-D4	
	VE084500	TERMINAL J,B	1-D3	
	VE084600	LEVER CB	1-D4	
	VE084700	HOLDER MODE	2-B2	
	VE085201	KNOB DIAL	2-A1	NEW
	VE085400	TERMINAL MD	2-A2	
	VE085500	BALL CLICK	2-A2	
	VE085600	SPRING M	2-A2	
	VE085800	TERMINAL Z	2-A2	
	VE085900	SPRING Z	2-A2	
	VE086200	SPRING R	2-A1	
	VE086600	HOLDER BRKT SYNCHRO	1-C4	
	VE087200	MOUNTING STRAP (OLD)	1-C3,A3	
	VE087400	DEC MONITOR	1-D1	
	VE087600	HOLDER MONITOR	1-B2	
	VE087800	SHAFT CARD	1-B1	
	VE088000	SHAFT JACK	1-D2	
	VE088500	BUTTON LM	1-B2	NEW
	VE089200	L FRAME	3-B4	NEW
	VE089900	STAND	1-B3	
	VE120900	G COVER TAPE L	3-A1	NEW
	VE121000	G COVER	3-A1	NEW
	VE121100	G COVER TAPE R	3-A1	NEW
	VE121500	HOLDER LED	2-B3	
	VE121700	SPRING CLICK CB	1-D4	
	VE136900	Z GEAR	3-A1,D2	NEW
	VE137000	Z GEAR SHAFT	3-A1	NEW
	VE202200	BUTTON J	1-C1	NEW
	VE202300	COVER BUTTON J	1-C1	NEW
	VE202400	BUTTON OK	1-B2	NEW
	VE202500	HOLDER BRKT JSW	1-B2	NEW
	VE202600	CABINET FRONT (OLD)	1-A3	NEW
	VE202700	COVER FRONT (OLD)	1-A4	NEW
	VE202800	COVER MD	1-A1	NEW
	VE203000	COVER CARD	1-B1	NEW
	VE203100	SPACER BUTTON OK	1-B2	NEW
	VE203200	HOLDER STRAP (NEW)	1-A3	NEW
	VE203300	GUIDE LEVER Z	2-A2	NEW
	VE203400	GUIDE DIAL M	2-A2	NEW

PARTS LIST

C-2020ZOOM

REF NO	PARTS NO	DESCRIPTION	REMARKS	NOTE
	VE203600	LEVER Z	2-A1	NEW
	VE203700	COVER JACK	1-D2	NEW
	VE204400	TERMINAL J,A	1-D4	NEW
	VE204500	SPACER COVER BATT	1-D3	NEW
	VE207300	CABINET FRONT B (NEW)	1-A3	NEW
	VE207400	COVER FRONT B (NEW)	1-A4	NEW
	VE207600	MOUNTING STRAP L (NEW)	1-C3	NEW
	VE207700	MOUNTING STRAP R (NEW)	1-A3	NEW
	VJ130100	LENS BARREL#	3-D2	NEW
	VJ130200	CAM FRAME#	3-A1	NEW
	VJ130300	2Z FRAME#	3-C4	NEW
	VJ130500	2Z FRAME#	3-D3	NEW
	VJ130900	4G FRAME#-2	3-B2	NEW
	VJ131200	CARRIER B#	3-D2	NEW
	VJ131500	S FRAME#	3-A3	NEW
	VJ137600	ASSY,CABI BACK,B	1-C2	NEW
	VJ137900	4Z FRAME#	3-C2	NEW
	VJ138000	LENS(ASSY)	2-B4	NEW
	VJ138100	LENS,VF(ASSY)	2-B2	NEW
	VJ310400	SOCKET,SYNCHRO 1P	1-C4	
	WE126081	PUTB1.6X4SN	3-C1,D1	
	WE126202	PUTB1.4X3SB	3-B2	
	WE132065	3PUTB1.6X3SB	3-D1	
	WE307002	ER1.2UO	3-C2	
IC101	VC742400	IC MB86836PMT2-G-BND CPU	CA-2	NEW
IC102	VC742800	IC MB87J1471PBT-G ASIC	CA-2	NEW
IC103	VC742000	IC UPD4564163G5-A10B-9JF (SDRAM)	CA-2	NEW
IC103	VC742700	IC M2V64S40BTP-8 (SDRAM)	CA-2	NEW
IC106	VC737700	IC SN74LV273AP	CA-2	
IC107	VC737700	IC SN74LV273AP	CA-2	
IC108	VC742500	IC TC7W74FK	CA-2	NEW
IC111	VC742300	IC IMISG589BTB (CLOCK-GENERATOR)	CA-2	NEW
IC121	VC743100	IC 25600954A [(E),(G)PAL] (PROGRAM FLASH)	CA-2	NEW
IC121	VC742600	IC 25600954B [(J),(U),(G)NTSC]	CA-2	NEW
IC131	VC735100	IC ADM3202ARU	CA-2	
IC141	VC737600	IC SN74LV245AP	CA-2	
IC144	VC733000	IC PST9128NR	CA-2	
IC145	VC732900	IC TK11331BM	CA-2	
IC146	VC741900	IC TC7S32FU	CA-2	NEW
IC152	VC736900	IC TK15405M (VIDEO AMP)	CA-2	
IC171	VC740000	IC LV4131W (LCD DRIVER)	CA-2	
IC174	VC740300	IC TK11330BM (REGULATOR)	CA-2	
IC175	VC738900	IC TC7SET08FU	CA-2	
IC301	VC742900	IC UPD78062GC-A21-8EU	SY-1	NEW
IC301	VC743000	IC UPD78062GC-523-7EA	SY-1	NEW
IC302	VC727100	S-8423NFS(BACKUP)	SY-1	
IC501	VC735300	IC BA9737KV	ST-1	
IC502	VC734800	IC TC7S08FU	ST-1	
IC503	VC727900	IC MB3800PNF--G	ST-1	
IC901	VC709200	IC TC7S08F	CA-1	
IC902	VC739200	IC 74ACT04MTC (H.DRIVER)	CA-1	
IC904	VC740100	IC CXD3400N (V.DRIVER)	CA-1	

PARTS LIST

C-2020ZOOM

REF NO	PARTS NO	DESCRIPTION	REMARKS	NOTE
IC905	VC739100	IC AD9803JST	CA-1	
IC906	VC709200	IC TC7S08F	CA-1	
IC909	VC740300	IC TK11330BM	CA-1	
IC952	VC742100	IC LA6358NT	CA-2	NEW
IC953	VC738100	IC LB1836M (ZOOM DRIVER)	CA-2	
IC954	VC738100	IC LB1836M (FOCUS DRIVER)	CA-2	
IC955	VC742200	IC TC7W66FK (ANALOG SW)	CA-2	NEW
IC956	VC742200	IC TC7W66FK (ANALOG SW)	CA-2	NEW
IC957	VC738100	IC LB1836M (IRIS DRIVER)	CA-2	
JK131	VC859500	JACK,PHONE D2.6 (PC JACK)	CA-2	
JK151	VC859800	JACK,PHONE D3.6 (VIDEO JACK)	CA-2	
JK501	VC857100	SOCKET,DC (DC JACK)	ST-1	
PR501	VC856400	PROTECTOR,IC 2A 63V	ST-1	
PR502	VC856400	PROTECTOR,IC 2A 63V	ST-1	
Q1301	VC618200	TR DTC144EUA	CA-2	
Q1301	VC609300	TR UN5213	CA-2	
Q1501	VC619000	TR UMT1N	CA-2	
Q1502	VC615800	TR UMZ1N	CA-2	
Q1502	VC609800	TR XP4601	CA-2	
Q1503	VC615800	TR UMZ1N	CA-2	
Q1503	VC609800	TR XP4601	CA-2	
Q1504	VC618200	TR DTC144EUA	CA-2	
Q1504	VC609300	TR UN5213	CA-2	
Q1601	VC617500	TR DTC114EUA	CA-2	
Q1602	VC609400	TR 2SA1745-7	CA-2	
Q1602	VC609500	TR 2SA1745-6	CA-2	
Q1701	VC615800	TR UMZ1N	CA-2	
Q1701	VC609800	TR XP4601	CA-2	
Q1702	VC615800	TR UMZ1N	CA-2	
Q1702	VC609800	TR XP4601	CA-2	
Q1901	VC618200	TR DTC144EUA	CA-2	
Q1901	VC609300	TR UN5213	CA-2	
Q3001	VC603600	TR 2SA1677	SY-1	
Q3001	VC614800	TR DTA124EU	SY-1	
Q3001	VC615300	TR UN5112	SY-1	
Q3002	VC602600	TR 2SA1676	SY-1	
Q3002	VC611800	TR DTA144EU	SY-1	
Q3002	VC609200	TR UN5113	SY-1	
Q3003	VC604100	TR 2SC4396	SY-1	
Q3003	VC604700	TR DTC144EU	SY-1	
Q3003	VC609300	TR UN5213	SY-1	
Q3004	VC619500	TR DTC144EE	SY-1	
Q3005	VC620900	TR DTA114EE	SY-1	NEW
Q3006	VC620900	TR DTA114EE	SY-1	NEW
Q3031	VC607900	TR 2SD1819A-R (SW)	SY-1	
Q3031	VC603200	TR 2SC4081-R (SW)	SY-1	
Q5001	VC619600	TR 2SA2013	ST-1	
Q5002	VC618400	TR 2SA1576A-R	ST-1	
Q5003	VC618600	TR 2SC4617 R	ST-1	
Q5004	VC616900	TR UMC2N	ST-1	
Q5005	VC604000	TR 2SB815-B7	ST-1	
Q5006	VC616700	TR UMH11N	ST-1	

PARTS LIST

C-2020ZOOM

REF NO	PARTS NO	DESCRIPTION	REMARKS	NOTE
Q5007	VC619700	TR CPH5701-TL (SW)	ST-1	
Q5008	VC619300	TR CPH3109	ST-1	
Q5010	VC618900	TR DTA114YE	ST-1	
Q5011	VC618600	TR 2SC4617 R	ST-1	
Q5012	VC618700	TR DTC114EE	ST-1	
Q5013	VC619200	TR CPH3205	ST-1	
Q5014	VC617400	TR 2SA1577-R	ST-1	
Q5014	VC617300	TR 2SA1577-Q	ST-1	
Q5015	VC618700	TR DTC114EE	ST-1	
Q5016	VC615900	TR UMY1N	ST-1	
Q5017	VC619800	TR FTS2005-TL	ST-1	
Q5018	VC619700	TR CPH5701-TL (SW)	ST-1	
Q5401	VC618800	TR DTC123JE	ST-1	
Q5402	VC618700	TR DTC114EE	ST-1	
Q5405	VC619200	TR CPH3205	ST-1	
Q5406	VC619300	TR CPH3109	ST-1	
Q5407	VC618600	TR 2SC4617 R	ST-1	
Q5409	VC619400	TR CY20AAJ-8	ST-1	
Q5410	VC619100	TR UMC5N	ST-1	
Q9001	VC620700	TR 2SC3931-D	CA-1	
Q9004	VC607900	TR 2SD1819A-R	CA-1	
Q9004	VC603200	TR 2SC4081-R	CA-1	
Q9010	VC607900	TR 2SD1819A-R	CA-1	
Q9010	VC603200	TR 2SC4081-R	CA-1	
Q9041	VC617500	TR DTC114EUA	CA-1	
Q9501	VC617800	TR 2SB1124-S	CA-2	
Q9502	VC607900	TR 2SD1819A-R	CA-2	
Q9502	VC603200	TR 2SC4081-R	CA-2	
Q9503	VC603800	TR 2SB1202-S	CA-2	
Q9503	VC620800	TR 2SB1202-T	CA-2	NEW
Q9504	VC607900	TR 2SD1819A-R	CA-2	
Q9504	VC603200	TR 2SC4081-R	CA-2	
Q9505	VC614300	TR DTC115EU	CA-2	
Q9506	VC617600	TR DTC123JUA	CA-2	
Q9507	VC618500	TR DTC123EU	CA-2	
Q9508	VC616400	TR 2SB1302-S	CA-2	
Q9509	VC617600	TR DTC123JUA	CA-2	
Q9510	VC621000	TR UMH10N	CA-2	NEW
Q9512	VC618200	TR DTC144EUA	CA-2	
Q9512	VC609300	TR UN5213	CA-2	
Q9513	VC614700	TR 2SC4399-4	CA-2	
Q9513	VC602900	TR 2SC4399-5	CA-2	
Q9514	VC614300	TR DTC115EU	CA-2	
Q9546	VC618300	TR DTA144EUA	CA-2	
Q9546	VC609200	TR UN5113	CA-2	
S3001	VC861500	SWITCH,PUSH	SY-1	
S3002	VC861500	SWITCH,PUSH	SY-1	
S3003	VC861500	SWITCH,PUSH	SY-1	
S3004	VC863300	SWITCH,PUSH 1P-1TX1	SY-1	
T5001	VC861900	TRANS,POWER,PULSE	ST-1	
T5002	VC862700	TRANS,POWER,PULSE	ST-1	
T5003	VC862400	TRANS,POWER,PULSE	ST-1	

PARTS LIST

C-2020ZOOM

REF NO	PARTS NO	DESCRIPTION	REMARKS	NOTE
T5401	VC861800	TRANS,STEP UP	ST-1	
T5402	VC861700	TRANS,STEP UP	ST-1	
X1101	VC858200	OSC,CRYSTAL 17.734476MHZ [(E),(G)PAL]	CA-2	
X1101	VC857600	OSC,CRYSTAL 14.31818MHZ [(J),(U),(G)NTSC]	CA-2	
X1101	VC864500	OSC,CRYSTAL 14.31818MHZ [(J),(U),(G)NTSC]	CA-2	NEW
X1701	VC862500	OSC,CRYSTAL 4.433619MHZ [(E),(G)PAL]	CA-2	
X1701	VC861600	OSC,CRYSTAL 3.579545MHZ [(J),(U),(G)NTSC]	CA-2	
X3001	VC864200	OSC,CERAMIC 4.00MHZ	SY-1	NEW
X3002	VC862000	OSC,CRYSTAL 32.768KHZ	SY-1	
Y1001	VC126400	SHIELD TAPE	CA-2	NEW
Y1103	VC126500	SPACER CA2-B,SIDE-B	CA-2	NEW
Y1104	VC126300	SPACER SHIELD CA2,SIDE-A	CA-2	NEW
	VC126200	SPACER SHEET ST-1	ST-1	NEW