

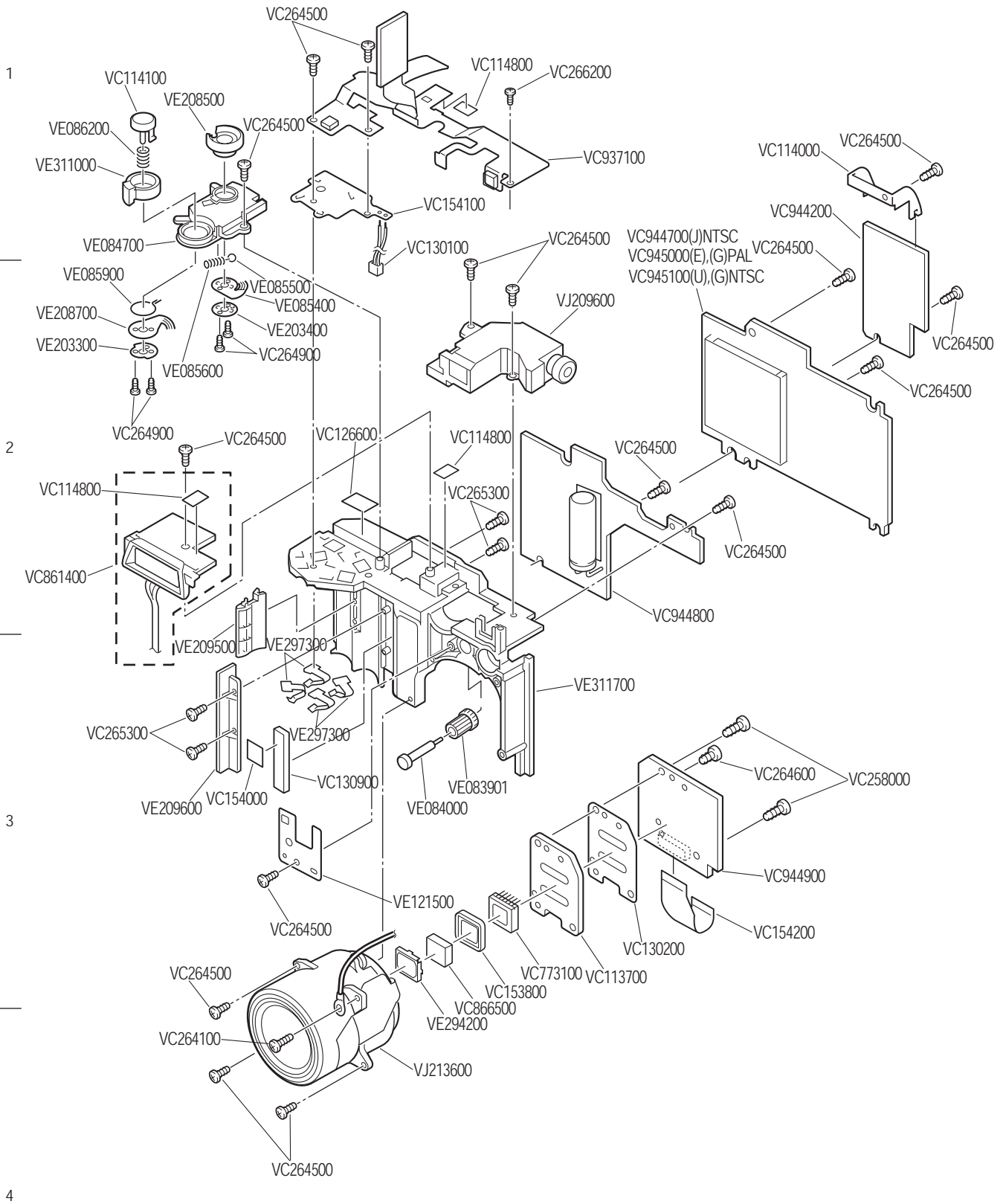
A

B

C

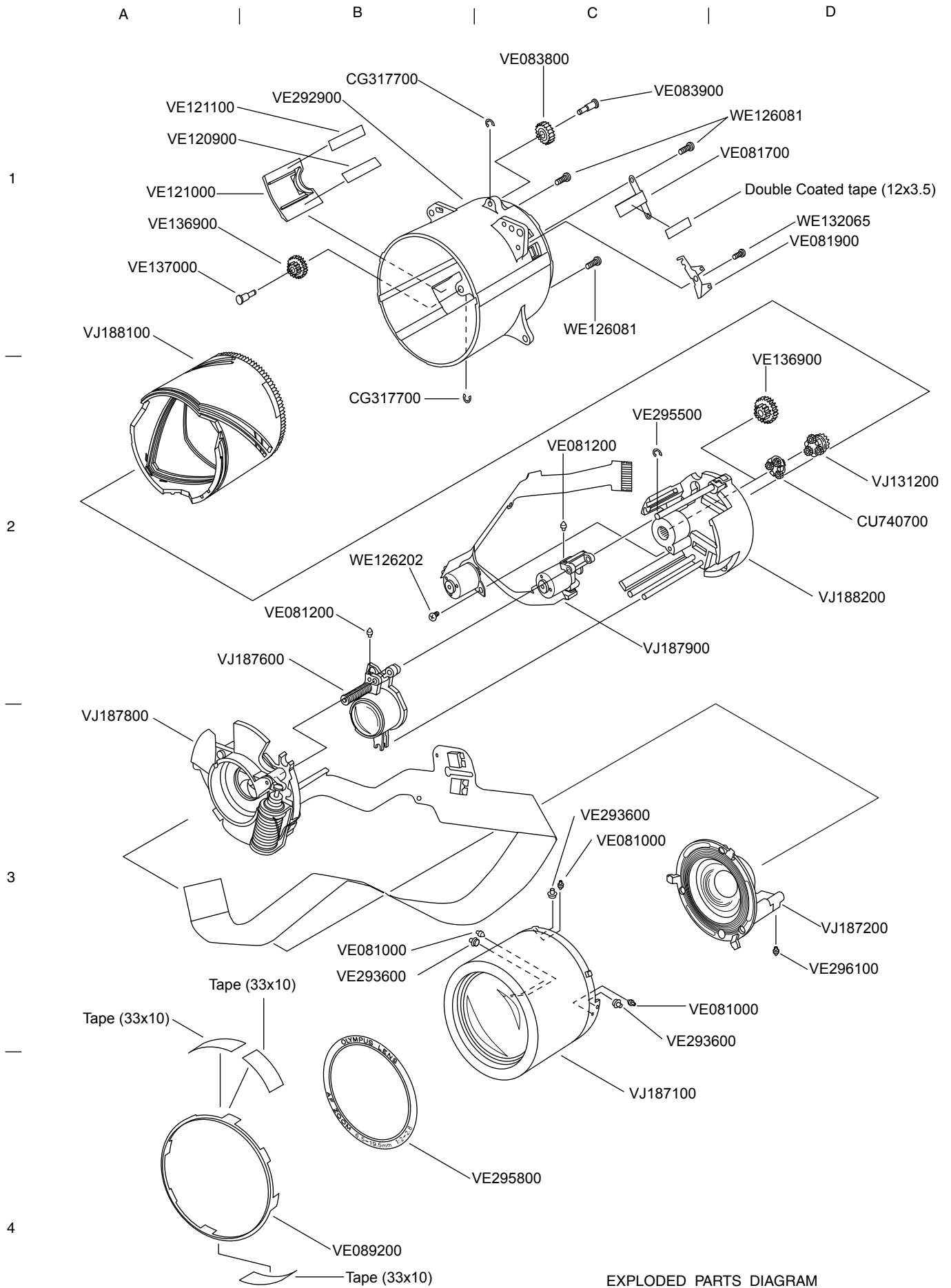
D

Cabinet 2



EXPLODED PARTS DIAGRAM

MODEL	FIG.
C-2040 ZOOM	2/3
OLYMPUS OPTICAL CO.,LTD.TOKYO,JAPAN	



EXPLODED PARTS DIAGRAM

MODEL	FIG.
C-2040 ZOOM	3/3
OLYMPUS OPTICAL CO., LTD. TOKYO, JAPAN	

Ver.1/Rev.8
2003.06

PARTS LIST

C-2040 ZOOM

REF NO	PARTS NO	DESCRIPTION	REMARKS	NOTE
	CG317700	3G STOPPER	3-B1,B2	
	CU740700	CARRIER A#	3-D2	
	VC113700	MOUNTING,LENS	2-C3	
	VC114000	HOLDER BRKT SY	2-D1	
	VC114100	ASSY,BUTTON RELEASE	2-A1	
	VC114600	ADHESIVE TAPE FRONT	1-A3	
	VC114700	ADHESIVE TAPE,D	1-D1	
	VC114800	ADHESIVE TAPE F	2-A2	
	VC114900	ADHESIVE TAPE G	1-B2	
	VC115500	SPACER MONITOR LIGHT	1-B2	
	VC115700	SPACER MON LIGHT,B	1-A2	
	VC115800	SPACER MON LIGHT,C	1-B2	
	VC126600	ADHESIVE TAPE H,B	2-B2	
	VC126700	SPACER SHIELD M,B	1-A2	
	VC129200	PAD(L=15)	1-C3	
	VC130100	ASSY,WIRE BATTERY&ST1	2-B1	
	VC130200	SPACER INSULATOR	2-C3	
	VC130300	FLEXIBLE PWB2,JOINT	1-B2	
	VC130900	SPACER CHASSIS	2-B3	
	VC131000	SHAFT JACK	1-D2	
	VC131300	ADHESIVE TAPE ZYUZI	1-B2	
	VC136600	SHILED TAPE	1-B3	
	VC153800	SPACER	2-B3	
	VC154000	SPACER SHEET	2-A3	
	VC154100	DENCHIBAN FLEX	2-B1	
	VC154200	FLEXIBLE PWB,CA1-CA2	2-D3	
	VC155300	ASSY,CABINET TOP	1-A1	NEW
	VC155400	COMPL,COVER BATTERY	1-C3	NEW
	VC258000	SCR S-TPG PAN 2X6	2-D3	
	VC260300	SCR S-TPG PAN PCS 1.4X2	1-D3	
	VC264100	SCR S-TPG PAN PCS 1.7X6	2-A4	
	VC264500	SCR S-TPG PAN PCS 1.7X4.0	1-B4	
	VC264500	SCR S-TPG PAN PCS 1.7X4	2-A3	
	VC264600	SCR PAN 2X2.5	2-D3	
	VC264900	SCR S-TPG PAN PCS 1.4X2.5	2-A2	
	VC265300	SCR S-TPG PAN PCS 1.7X4	2-A3	
	VC265500	SPECIAL SCREW-1.4X2	1-B2	
	VC265900	SPECIAL SCREW-1.6X3.5	1-A2	
	VC266200	SCR S-TPG PAN PCS 1.4X3.5	1-A1	
	VC266200	SCR S-TPG PAN PCS 1.4X3.5	2-C1	
	VC266300	SPECIAL SCREW-1.4X5	1-C3	
	VC773100	IC ICX224AQ-C	2-C3	NEW
	VC861400	COMPL,REFLECTOR	2-A2	
	VC866500	OPTICAL FILTER	2-B3	
	VC872300	LCD	1-C2	
	VC937100	ASSY,UNIT,FLEXIBLE PWB	2-C1	
	VC944200	COMPL PWB,SY-1	2-D1	
	VC944700	COMPL PWB,CA-2 [C-2040ZOOM(J)NTSC]	2-C2	NEW
	VC944800	COMPL PWB,ST-1	2-C2	NEW
	VC944900	COMPL PWB,CA-1	2-D3	NEW
	VC945000	COMPL PWB,CA-2 [C-2040ZOOM(E),(G)PAL]	2-C2	NEW
	VC945100	COMPL PWB,CA-2 [C-2040ZOOM(U),(G)NTSC]	2-C2	NEW

PARTS LIST

C-2040 ZOOM

REF NO	PARTS NO	DESCRIPTION	REMARKS	NOTE
	VE081000	CAM PIN A	3-B3,C3	
	VE081200	CAM PIN C	3-B2,C2	
	VE081700	FPC PLATE	3-D1	
	VE081900	PR PLATE	3-D1	
	VE083800	CAM GEAR	3-C1	
	VE083900	CAM GEAR SHAFT	3-C1	
	VE083901	GEAR	2-B3	
	VE084000	SHAFT GEAR	2-B3	
	VE084700	HOLDER MODE	2-A1	
	VE085400	TERMINAL MD	2-B2	
	VE085500	BALL CLICK	2-B2	
	VE085600	SPRING M	2-A2	
	VE085900	SPRING Z	2-A2	
	VE086200	SPRING R	2-A1	
	VE087400	DEC MONITOR	1-C1	
	VE087800	SHAFT CARD	1-B1	
	VE088500	BUTTON LM	1-B2	
	VE089200	L FRAME	3-B4	
	VE089300	BALL CLICK VF	1-C3	
	VE089900	STAND	1-B3	
	VE120900	G COVER TAPE L	3-A1	
	VE121000	G COVER	3-A1	
	VE121100	G COVER TAPE R	3-A1	
	VE121500	HOLDER LED	2-B3	
	VE136900	Z GEAR	3-A1,D2	
	VE137000	Z GEAR SHAFT	3-A1	
	VE202200	BUTTON J	1-C1	
	VE202400	BUTTON OK	1-B2	
	VE202500	HOLDER BRKT JSW	1-A2	
	VE203100	SPACER BUTTON OK	1-B2	
	VE203300	GUIDE LEVER Z	2-A2	
	VE203400	GUIDE DIAL M	2-B2	
	VE208500	KNOB DIAL	2-A1	
	VE208700	TERMINAL Z	2-A2	
	VE208900	TERMINAL CB,A	1-C3	
	VE209000	TERMINAL CB,B	1-D4	
	VE209100	SLIDE LOCK	1-D4	
	VE209400	HOLDER BATTERY	1-B3	
	VE209500	HOLDER BATTERY A	2-A3	
	VE209600	HOLDER BATTERY B	2-A3	
	VE209800	MOUNTING STRAP,L	1-B1	
	VE209900	MOUNTING STRAP,R	1-C3	
	VE210000	MOUNTING STRAP	1-C3	
	VE210200	SPRING CLICK	1-C3	
	VE210300	HOLDER BTKT STCN	1-C3	
	VE210400	CAP STROBO	1-C4	
	VE292900	C HOLDER	3-B1	NEW
	VE293600	1Z PIN	3-B3,C3	NEW
	VE294200	SPACER	2-B4	
	VE295500	S STOPPER	3-C2	NEW
	VE295800	DEC LENS	3-C4	NEW
	VE296100	CAM PIN D	3-D3	NEW

PARTS LIST

C-2040 ZOOM

REF NO	PARTS NO	DESCRIPTION	REMARKS	NOTE
	VE297200	HOLDER MONITOR	1-B2	
	VE297300	TERMINAL BATTERY	2-B3	
	VE310300	CABINET FRONT	1-A3	NEW
	VE310600	COVER FRONT	1-A3	NEW
	VE310700	COVER MD	1-A1	NEW
	VE310800	COVER BATTERY	1-D4	NEW
	VE310900	COVER JACK	1-D2	NEW
	VE311000	LEVER Z	2-A1	NEW
	VE311100	COVER BUTTON	1-C1	NEW
	VE311500	COVER CARD	1-B1	NEW
	VE311700	HOLDER CHASSIS	2-C3	
	VJ131200	CARRIER B#	3-D2	
	VJ143000	SOCKET,SYNCHRO	1-C4	
	VJ187100	1Z FRAME#	3-C4	NEW
	VJ187200	2Z FRAME#	3-D3	NEW
	VJ187600	4G FRAME#-2	3-B2	NEW
	VJ187800	S FRAME#	3-A3	NEW
	VJ187900	K-FPC#	3-C2	NEW
	VJ188100	CAM FRAME#	3-A1	NEW
	VJ188200	LENS BARREL#	3-D2	NEW
	VJ203500	ASSY,CABI BACK,B	1-C2	NEW
	VJ209600	LENS,VF(ASSY)	2-C2	NEW
	VJ213600	LENS(ASSY)	2-B4	NEW
	WE126081	PUTB1.6X4SN	3-C1,D1	
	WE126202	PUTB1.4X3SB	3-B2	
	WE132065	3PUTB1.6X3SB	3-D1	
A3101	VC866600	LCD(LM-7086C)	PWB	
A3102	VC866200	UNIT,IR RECEIVER PACK REMOCON	PWB	
BZ311	VC856900	PZ BZR PKM13EPY-4002	PWB	
CN110	VC866800	PLUG,4P TO USB	CA-2	
CN141	VC868900	SOCKET,CARD 24P TO SMARTMEDIA	CA-2	
IC101	VC742400	IC MB86836PMT2-G-BND CPU	CA-2	
IC102	VC773400	IC KS5M0U1322CBP ASIC	CA-2	NEW
IC103	VC773300	IC MB81F643242C-10FN	CA-2	NEW
IC103	VC775000	IC TC59S6432CFT-80	CA-2	NEW
IC106	VC746800	IC SN74LV273ADB	CA-2	
IC111	VC742300	IC IMISG589BTB CLOCK-GENERATOR	CA-2	
IC121	VC775100	IC 27700355F [C-2040ZOOM(J)]	CA-2	NEW
IC121	VC775200	IC 27701355F [C-2040ZOOM(U),(G)NTSC]	CA-2	NEW
IC121	VC775300	IC 27702355F [C-2040ZOOM(E),(G)PAL]	CA-2	NEW
IC145	VC732900	IC TK11331BM REGULATOR	CA-2	
IC146	VC741900	IC TC7S32FU	CA-2	
IC152	VC736900	IC TK15405M VIDEO AMP	CA-2	
IC171	VC740000	IC LV4131W LCD DRIVER	CA-2	
IC175	VC738900	IC TC7SET08FU	CA-2	
IC301	VC772700	IC UPD78063GC-A42-8EU	SY-1	
IC302	VC727100	S-8423NFS BACKUP	SY-1	
IC501	VC735300	IC BA9737KV	ST-1	
IC502	VC734800	IC TC7S08FU	ST-1	
IC503	VC727900	IC MB3800PNF--G	ST-1	
IC902	VC773000	IC TC74ACT04FT	CA-1	NEW
IC904	VC740100	IC CXD3400N	CA-1	

PARTS LIST

C-2040 ZOOM

REF NO	PARTS NO	DESCRIPTION	REMARKS	NOTE
IC905	VC739100	IC AD9803JST	CA-1	
IC909	VC740300	IC TK11330BM	CA-1	
IC951	VC746500	IC S-8520B33MC	CA-2	
IC952	VC743500	IC NJM2125F	CA-2	
IC953	VC746100	IC LB1846M	ZOOM DRIVER	CA-2
IC955	VC742200	IC TC7W66FK	ANALOG SW	CA-2
JK112	VC859800	JACK,PHONE D3.6	VIDEO JACK	CA-2
JK501	VC857100	SOCKET,DC	DC JACK	ST-1
PR501	VC865800	FUSE,32V,2A		ST-1
PR502	VC775400	FUSE,32V,1.5A		ST-1
PR503	VC865900	FUSE,32V,1A		ST-1
Q1111	VC622200	TR DTC115EUA	CA-2	
Q1304	VC618200	TR DTC144EUA	CA-2	
Q1304	VC609300	TR UN5213	CA-2	
Q1304	VC604100	TR 2SC4396	CA-2	
Q1305	VC620000	TR UMD3N	CA-2	
Q1501	VC619000	TR UMT1N	CA-2	
Q1502	VC615800	TR UMZ1N	CA-2	
Q1502	VC609800	TR XP4601	CA-2	
Q1602	VC609400	TR 2SA1745-7	CA-2	
Q1602	VC609500	TR 2SA1745-6	CA-2	
Q1921	VC621500	TR DTA143ZE	CA-2	
Q1922	VC621600	TR DTC143ZE	CA-2	
Q1923	VC618600	TR 2SC4617 R	CA-2	
Q3001	VC603600	TR 2SA1677	SY-1	
Q3001	VC622300	TR DTA124EUA	SY-1	
Q3001	VC615300	TR UN5112	SY-1	
Q3002	VC602600	TR 2SA1676	SY-1	
Q3002	VC618300	TR DTA144EUA	SY-1	
Q3002	VC609200	TR UN5113	SY-1	
Q3004	VC619500	TR DTC144EE	SY-1	
Q3005	VC620900	TR DTA114EE	SY-1	
Q5001	VC619600	TR 2SA2013	ST-1	
Q5002	VC618400	TR 2SA1576A-R	ST-1	
Q5004	VC616900	TR UMC2N	ST-1	
Q5005	VC622000	TR 2SA2018	ST-1	
Q5006	VC616700	TR UMH11N	ST-1	
Q5007	VC619700	TR CPH5701	SW	ST-1
Q5010	VC618900	TR DTA114YE	ST-1	
Q5012	VC618700	TR DTC114EE	ST-1	
Q5013	VC619200	TR CPH3205	ST-1	
Q5016	VC615900	TR UMY1N	ST-1	
Q5017	VC619800	TR FTS2005	ST-1	
Q5401	VC618800	TR DTC123JE	ST-1	
Q5409	VC622100	TR CY25AAJ-8	ST-1	
Q5453	VC619100	TR UMC5N	ST-1	
Q9001	VC607900	TR 2SD1819A-R	CA-1	
Q9001	VC603200	TR 2SC4081-R	CA-1	
Q9002	VC620700	TR 2SC3931-D	CA-1	
Q9004	VC617500	TR DTC114EUA	CA-1	
Q9004	VC621700	TR UN5211	CA-1	
Q9004	VC617100	TR 2SC4398	CA-1	

NEW

PARTS LIST

C-2040 ZOOM

REF NO	PARTS NO	DESCRIPTION	REMARKS	NOTE
Q9504	VC621900	TR CPH3105	CA-2	
Q9505	VC619300	TR CPH3109	CA-2	
Q9509	VC621000	TR UMH10N	CA-2	
Q9513	VC614700	TR 2SC4399-4	CA-2	
Q9513	VC602900	TR 2SC4399-5	CA-2	
S3001	VC861500	SWITCH,PUSH	SY-1	
S3004	VC863300	SWITCH,PUSH 1P-1TX1	SY-1	
S3011	VC866100	SWITCH,PUSH 1P-2TX1 SHUTTER	PWB	
T5001	VC861900	TRANS,POWER,PULSE	ST-1	
T5002	VC872400	TRANS,POWER,PULSE	ST-1	NEW
T5003	VC862400	TRANS,POWER,PULSE	ST-1	
T5401	VC861800	TRANS,STEP UP	ST-1	
T5402	VC861700	TRANS,STEP UP	ST-1	
X1101	VC857600	OSC,CRYSTAL 14.31818MHZ [C-2040ZOOM(U),(G)NTSC]	CA-2	
X1101	VC864500	OSC,CRYSTAL 14.31818MHZ [C-2040ZOOM(U),(G)NTSC]	CA-2	
X1101	VC858200	OSC,CRYSTAL 17.734476MHZ [C-2040ZOOM(E),(G)PAL]	CA-2	
X1701	VC861600	OSC,CRYSTAL 3.579545MHZ [C-2040ZOOM(U),(G)NTSC]	CA-2	
X1701	VC862500	OSC,CRYSTAL 4.433619MHZ [C-2040ZOOM(E),(G)PAL]	CA-2	
X3001	VC864200	OSC,CERAMIC 4.00MHZ	SY-1	
X3002	VC862000	OSC,CRYSTAL 32.768KHZ	SY-1	
Y1103	VC126500	SPACER CA2-B,SIDE-B SPACER SHILD CA2-SIDE-B	CA-2	
	VC126200	SPACER SHEET ST-1 C5412	ST-1	
	VE3114	SERIAL NUMBER SEAL FOR OE (Made in Japan)		
	VE3505	SERIAL NUMBER SEAL FOR OE (Made in Korea)		
	VE3113	SERIAL NUMBER SEAL FOR OAI (Made in Japan)		
	VE3504	SERIAL NUMBER SEAL FOR OAI (Made in Korea)		