

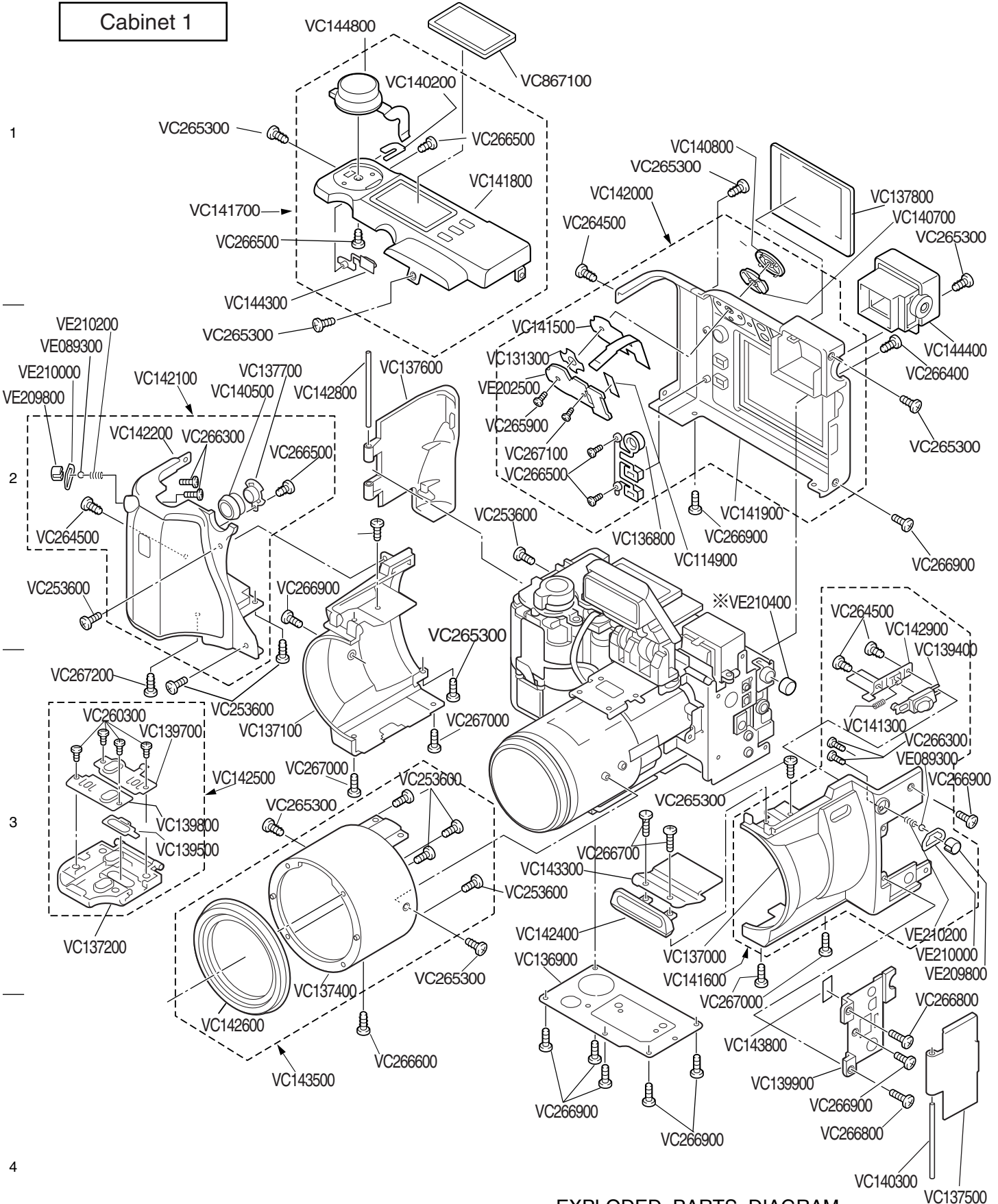
A

B

C

D

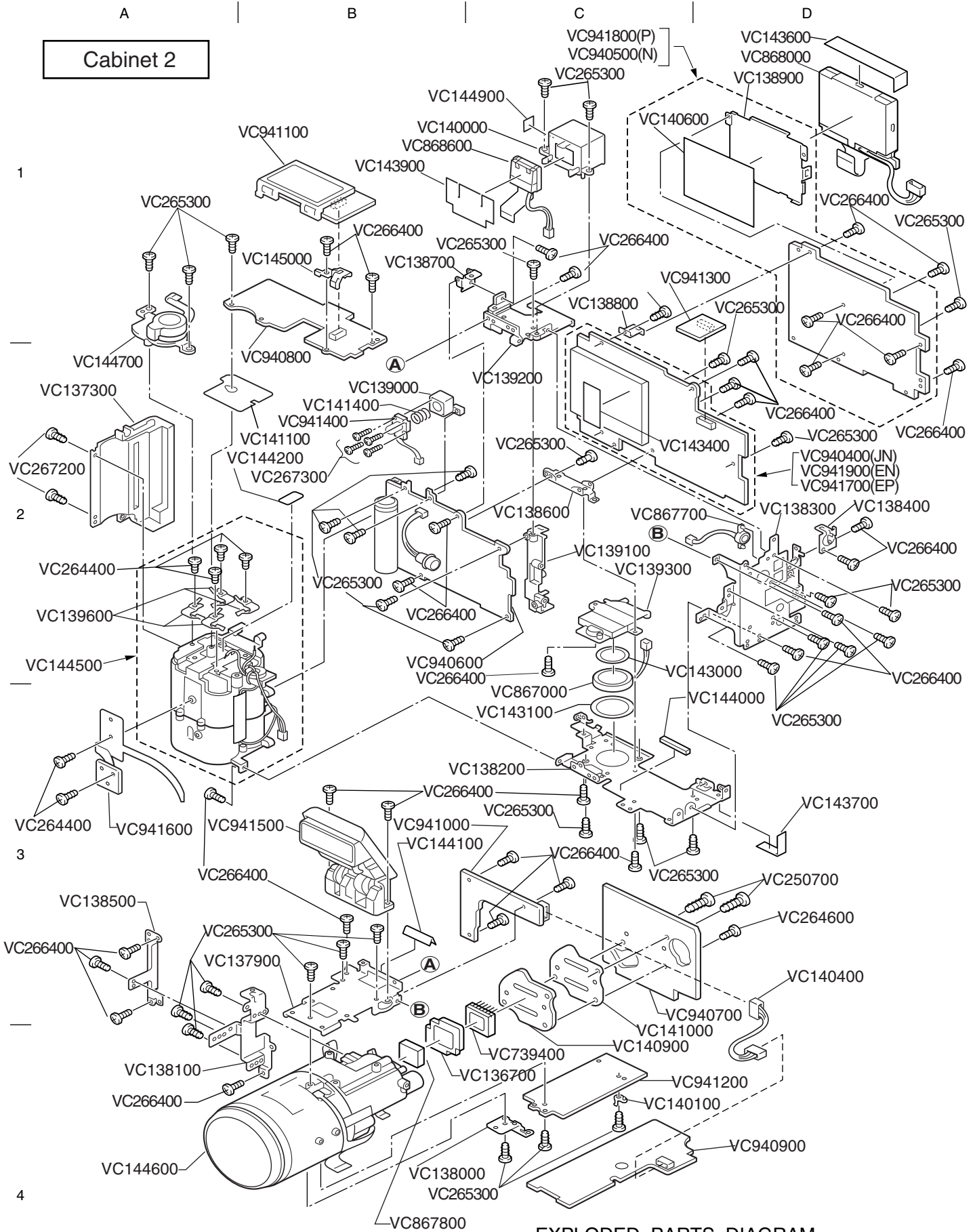
Cabinet 1



EXPLODED PARTS DIAGRAM

MODEL	FIG.
C-2100 Ultra ZOOM	1/2
OLYMPUS OPTICAL CO.,LTD.TOKYO,JAPAN	

Cabinet 2



EXPLODED PARTS DIAGRAM

MODEL	FIG.
C-2100 Ultra ZOOM	2/2
OLYMPUS OPTICAL CO.,LTD.TOKYO,JAPAN	

PARTS LIST

C2100 ULTRA ZOOM

REF NO	PARTS NO	DESCRIPTION	REMARKS	NOTE
	VC114900	ADHESIVE TAPE G	1-C2	
	VC131300	ADHESIVE TAPE ZYUZI	1-C2	
	VC136700	SPACER	2-C4	NEW
	VC136800	BUTTON OK	1-C2	NEW
	VC136900	CABINET BOTTOM	1-C3	NEW
	VC137000	CABINET FRONT L	1-C3	NEW
	VC137100	CABINET FLONT R	1-B3	NEW
	VC137200	COVER BATTERY	1-A3	NEW
	VC137300	COVER CARD	2-A2	NEW
	VC137400	COVER LENS	1-B3	NEW
	VC137500	DOOR TERMINA	1-D4	NEW
	VC137600	DOOR CARD	1-B2	NEW
	VC137700	DEC LAMP	1-B2	NEW
	VC137800	DEC MONITOR	1-D1	NEW
	VC137900	HOLDER BRKT LENS T	2-B3	NEW
	VC138000	HOLDER BRKT LENS B	2-B4	NEW
	VC138100	HOLDER BRKT LENS	2-A4	NEW
	VC138200	HOLDER BRKT BOTTOM	2-C3	NEW
	VC138300	HOLDER TERMINAL	2-D2	NEW
	VC138400	HOLDER BRKT SYNCHRO	2-D2	NEW
	VC138500	HOLDER BRKT F	2-A3	NEW
	VC138600	HOLDER BRKT PW1 A	2-C2	NEW
	VC138700	HOLDER BRKT PW1 B	2-B1	NEW
	VC138800	HOLDER BRKT CA4	2-C1	NEW
	VC138900	HOLDER MONITOR	2-D1	NEW
	VC139000	HOLDER LAMP	2-B2	NEW
	VC139100	HOLDER CHASSIS	2-C2	NEW
	VC139200	HOLDER VF	2-C2	NEW
	VC139300	HOLDER STAND	2-C2	NEW
	VC139400	KNOB POPUP	1-D2	NEW
	VC139500	KNOB BATTERY	1-A3	NEW
	VC139600	TERMINAL BATT C	2-A2	NEW
	VC139700	TERMINAL BATT B	1-A3	NEW
	VC139800	TERMINAL BATT A	1-A3	NEW
	VC139900	TERMINAL BOAD	1-D4	NEW
	VC140000	HOLDER LCD VF	2-B1	NEW
	VC140100	HOLDER TC2	2-C4	NEW
	VC140200	HOLDER DIAL	1-B1	NEW
	VC140300	SHAFT DOOR	1-D4	NEW
	VC140400	ASS'Y WIRE TC2&CA3	2-D3	NEW
	VC140500	COVER LAMP	1-A2	NEW
	VC140600	SPACER HL MONITOR	2-C1	NEW
	VC140700	BUTTON J-SX352/JO	1-D1	NEW
	VC140800	COVER BUTTON J	1-C1	NEW
	VC140900	MOUNTING,LENS	2-C4	NEW
	VC141000	SPACER INSULATOR	2-C4	NEW
	VC141100	SPACER ZOOM	2-B2	NEW
	VC141300	SPRING POPUP B	1-D3	NEW
	VC141400	SPRING C LAMP	2-B2	NEW
	VC141500	FLEXIBLE PWB JOINT	1-C2	NEW
	VC141600	COMPL,CABINET FL	1-C3	NEW
	VC141700	COMPL,CABINET TOP	1-A1	NEW
	VC141800	ASSY,CABINET TOP	1-B1	NEW

PARTS LIST

C2100 ULTRA ZOOM

REF NO	PARTS NO	DESCRIPTION	REMARKS	NOTE
	VC141900	ASSY,CABINET BACK	1-D2	NEW
	VC142000	COMPL,CABINET BACK	1-C1	NEW
	VC142100	COMPL,CABINET GRIP	1-A2	NEW
	VC142200	ASSY,CABINET GRIP	1-A2	NEW
	VC142400	ASSY,COVER LOGO	1-C3	NEW
	VC142500	COMPL,COVER BATT	1-A3	NEW
	VC142600	ASSY,RING LENS	1-A4	NEW
	VC142800	SHAFT DOOR CARD	1-B2	NEW
	VC142900	HOLDER KNOB POPUP	1-D2	NEW
	VC143000	ADHESIVE BUZZER	2-D2	NEW
	VC143100	SPACER BUZZER	2-C3	NEW
	VC143300	COVER POPUP INNER	1-C3	NEW
	VC143400	SPACER SOCKET SM	2-C2	NEW
	VC143500	COMPL,COVER LENS	1-B4	NEW
	VC143600	SPACER CV MONITOR	2-D1	NEW
	VC143700	SPACER HL TERMINAL	2-D3	NEW
	VC143800	SPACER TE BOAD	1-D4	NEW
	VC143900	SPACER CV EVF	2-B1	NEW
	VC144000	SPACER HL BOTTOM	2-D3	NEW
	VC144100	SPACER WIRE FLASH	2-B3	NEW
	VC144200	SPACER TERMINAL BAT-352JO	2-B2	NEW
	VC144300	ASSY,BUTTON AE	1-B1	NEW
	VC144400	ASSY,HOOD VF	1-D2	NEW
	VC144500	ASSY HOLDER BATTERY	2-A2	NEW
	VC144600	LENS(ASSY)	2-A4	NEW
	VC144700	UNIT,ZOOM	2-A2	NEW
	VC144800	UNIT,DAIAL	1-B1	NEW
	VC144900	SPACER POPUP HARNESS-352	2-C1	NEW
	VC145000	LEVER POPUP	2-B1	NEW
	VC250700	SCR S-TPG BIN 2X6	Cabi2	
	VC253600	SCR PAN PCS 1.7X4	Cabi1	
	VC260300	SCR S-TPG PAN PCS 1.4X2	Cabi1	
	VC264400	SCR S-TPG PAN PCS 1.7X2.5	Cabi2	
	VC264600	SCR PAN 2X2.5	Cabi2	
	VC265900	SPECIAL SCREW-1.6X3.5	Cabi1	
	VC266300	SPECIAL SCREW-1.4X5	Cabi1	
	VC266400	SCR PAN PCS 1.7X3	Cabi1,2	NEW
	VC266500	SCR S-TPG PAN PCS 1.7X3	Cabi1	NEW
	VC266600	SCR S-TP PAN PCS 1.7X5.0	Cabi1	NEW
	VC266700	SCR PAN PCS 1.7X7	Cabi1	NEW
	VC266800	SPECIAL SCREW 1.7X6	Cabi1	NEW
	VC266900	SPECIAL SCREW 1.7X4	Cabi1	NEW
	VC267000	SPECIAL SCREW-1.7X3	Cabi1	NEW
	VC267100	SPECIAL SCREW-1.4X2	Cabi1	NEW
	VC267200	SCR S-TPG PAN PCS 1.7X5	Cabi1,2	
	VC267300	SECIAL SCREW-1.7X9.0	Cabi2	
	VC739400	IC ICX224AK-B	2-C4	
	VC867000	PIEZO BUZZER PKM35-4A43	2-C3	NEW
	VC867100	DEC MODE LCD	1-C1	NEW
	VC867700	MICROPHONE	2-C2	NEW
	VC867800	OPTICAL FILTER	2-B4	NEW
	VC868000	LCD	2-D1	NEW
	VC868600	LCD	2-B1	NEW

PARTS LIST

C2100 ULTRA ZOOM

REF NO	PARTS NO	DESCRIPTION	REMARKS	NOTE
	VC940400	COMPL PWB,CA-2 [C-2100UZ(J)NTSC]	2-D2	NEW
	VC940500	COMPL PWB,CA-4 [C-2100UZ(J),(U),(G)NTSC]	2-C1	NEW
	VC940600	COMPL PWB,PW-1	2-B2	NEW
	VC940700	COMPL PWB,CA-1	2-C3	NEW
	VC940800	COMPL PWB,SY-1	2-B2	NEW
	VC940900	COMPL PWB,TC-2	2-D4	NEW
	VC941000	COMPL PWB,CA-3	2-B3	NEW
	VC941100	COMPL PWB,SY-2	2-B1	NEW
	VC941200	COMPL PWB,TC-1	2-C4	NEW
	VC941300	COMPL PWB,TB-2	2-D1	NEW
	VC941400	COMPL PWB,TB-3	2-B2	NEW
	VC941500	COMPL,FLASH UNIT	2-B3	NEW
	VC941600	ASSY,UNIT,FLEXIBLE PWB	2-A3	NEW
	VC941700	COMPL PWB,CA-2 [C-2100UZ(E),(G)PAL]	2-D2	NEW
	VC941800	COMPL PWB,CA-4 [C-2100UZ(E),(G)PAL]	2-C1	NEW
	VC941900	COMPL PWB,CA-2 [C-2100UZ(U),(G)NTSC]	2-D2	NEW
	VE089300	BALL CLICK VF	1-A2	
	VE202500	HOLDER BRKT JSW	1-C2	
	VE209800	MOUNTING STRAP,L	1-A2	
	VE210000	MOUNTING STRAP	1-A2	
	VE210200	SPRING CLICK	1-A2	
	VE210400	CAP STROBO	1-D3	
A3501	VC868500	LCD(LM-1849C-1)	SY-2	NEW
CN110	VC866800	USB JACK	CA-2	
CN141	VC868900	SOCKET,CARD 24P TO SMARTMEDIA	CA-2	NEW
D5501	VC866900	LED GL5XS022B3S2	TB-3	NEW
F5001	VC865800	FUSE 32V 2A	PW-1	
F5002	VC865800	FUSE 32V 2A	PW-1	
F5004	VC865800	FUSE 32V 2A	PW-1	
IC101	VC742400	IC MB86836PMT2-G-BND CPU	CA-2	
IC102	VC747100	IC KS5M9U1262CBP ASIC	CA-2	
IC103	VC747500	IC HM5212325FBP-B60	CA-2	
IC111	VC742300	IC IMISG589BTB CLOCK-GENERATOR	CA-2	
IC121	VC750000	IC 27000352E [C-2100UZ(J)NTSC] PROGRAM FLASH	CA-2	NEW
IC121	VC749800	IC 27002352D [C-2100UZ(E),(G)PAL] PROGRAM FLASH	CA-2	NEW
IC121	VC749900	IC 27001352D [C-2100UZ(U),(G)NTSC] PROGRAM FLASH	CA-2	NEW
IC131	VC735100	IC ADM3202ARU	CA-2	
IC145	VC732900	IC TK11331BM	CA-2	
IC146	VC741900	IC TC7S32FU	CA-2	
IC152	VC736900	IC TK15405M VIDEO-AMP	CA-2	
IC153	VC735000	IC TK11348BM	CA-2	
IC161	VC746800	IC SN74LV273ADB	CA-2	
IC162	VC746800	IC SN74LV273ADB	CA-2	
IC163	VC746800	IC SN74LV273ADB	CA-2	
IC164	VC746800	IC SN74LV273ADB	CA-2	
IC171	VC740000	IC LV4131W LCD DRIVER	CA-4	
IC172	VC748800	IC LV4137W	CA-4	NEW
IC173	VC740300	IC TK11330BM REGULATOR	CA-4	
IC174	VC744700	IC TK11230BM REGULATOR	CA-4	
IC175	VC738900	IC TC7SET08FU	CA-4	
IC182	VC746200	IC LMV321M7X	CA-2	
IC183	VC746200	IC LMV321M7X	CA-2	
IC184	VC732900	IC TK11331BM	CA-2	

PARTS LIST

C2100 ULTRA ZOOM

REF NO	PARTS NO	DESCRIPTION	REMARKS	NOTE
IC185	VC746200	IC LMV321M7X	CA-2	
IC187	VC742200	IC TC7W66FK ANALOG SW	CA-2	
IC301	VC749700	IC UPD78063GC-A40-8EU	SY-1	NEW
IC302	VC727100	S-8423NFS BACKUP	SY-1	
IC501	VC735300	IC BA9737KV	PW-1	
IC502	VC735300	IC BA9737KV	PW-1	
IC503	VC748900	IC TK11813M	PW-1	NEW
IC504	VC734800	IC TC7S08FU	PW-1	
IC700	VC749200	IC TC7MH244FK	TC-2	NEW
IC701	VC749300	IC PST9246N	TC-2	NEW
IC702	VC749600	IC HD64F2144TE20-A	TC-2	NEW
IC703	VC738900	IC TC7SET08FU	TC-2	
IC721	VC743200	IC NJM3414AV	TC-2	
IC722	VC749000	IC AD8542ARM	TC-2	NEW
IC723	VC749400	IC NJM12904R	TC-2	NEW
IC724	VC749000	IC AD8542ARM	TC-2	NEW
IC725	VC749400	IC NJM12904R	TC-2	NEW
IC726	VC748700	IC TC7WU04FU	TC-2	NEW
IC727	VC743200	IC NJM3414AV	TC-2	
IC728	VC749400	IC NJM12904R	TC-2	NEW
IC729	VC749000	IC AD8542ARM	TC-2	NEW
IC732	VC749100	IC MB88346BPFV	TC-2	NEW
IC751	VC749000	IC AD8542ARM	CA-3	NEW
IC752	VC742200	IC TC7W66FK	CA-3	
IC902	VC739200	IC 74ACT04MTC (H.DRIVER)	CA-1	
IC904	VC740100	IC CXD3400N (V.DRIVER)	CA-1	
IC905	VC746700	IC AD9842JST	CA-1	
IC909	VC746400	IC TK11333BM	CA-1	
IC953	VC746100	IC LB1846M FOCUS DRIVER	TC-1	
IC954	VC746100	IC LB1846M	TC-1	
IC971	VC743200	IC NJM3414AV	TC-1	
IC972	VC742100	IC LA6358NT	TC-1	
IC973	VC742100	IC LA6358NT	TC-1	
IC974	VC742100	IC LA6358NT	TC-1	
IC976	VC734800	IC TC7S08FU	TC-1	
JK112	VC866000	JACK,PHONE D3.6 AV JACK	CA-2	
JK131	VC859500	JACK,PHONE D2.6 PC JACK	CA-2	
JK183	VC868800	JACK,PHONE D3.6 TO MIC	CA-2	NEW
JK501	VC857100	SOCKET,DC DC JACK	PW-1	
Q1111	VC622200	TR DTC115EUA	CA-2	
Q1111	VC614300	TR DTC115EU	CA-2	
Q1301	VC618200	TR DTC144EUA	CA-2	
Q1301	VC609300	TR UN5213	CA-2	
Q1303	VC618300	TR DTA144EUA	CA-2	
Q1303	VC609200	TR UN5113	CA-2	
Q1304	VC618200	TR DTC144EUA	CA-2	
Q1304	VC609300	TR UN5213	CA-2	
Q1305	VC620000	TR UMD3N	CA-2	
Q1501	VC619000	TR UMT1N	CA-2	
Q1502	VC615800	TR UMZ1N	CA-2	
Q1502	VC609800	TR XP4601	CA-2	
Q1503	VC615800	TR UMZ1N	CA-2	
Q1503	VC609800	TR XP4601	CA-2	

PARTS LIST

C2100 ULTRA ZOOM

REF NO	PARTS NO	DESCRIPTION	REMARKS	NOTE
Q1509	VC618200	TR DTC144EUA	CA-2	
Q1509	VC609300	TR UN5213	CA-2	
Q1601	VC617500	TR DTC114EUA	CA-2	
Q1601	VC621700	TR UN5211	CA-2	
Q1602	VC609400	TR 2SA1745-7	CA-2	
Q1602	VC609500	TR 2SA1745-6	CA-2	
Q1701	VC615800	TR UMZ1N	CA-4	
Q1701	VC609800	TR XP4601	CA-4	
Q1702	VC615800	TR UMZ1N	CA-4	
Q1702	VC609800	TR XP4601	CA-4	
Q1704	VC607800	TR 2SB1218A-R	CA-4	
Q1704	VC603300	TR 2SA1576-R	CA-4	
Q1704	VC618400	TR 2SA1576A-R	CA-4	
Q1801	VC622800	TR DTA144EE	CA-2	NEW
Q1802	VC607900	TR 2SD1819A-R	CA-2	
Q1802	VC603200	TR 2SC4081-R	CA-2	
Q1803	VC621800	TR UMX1N	CA-2	
Q1806	VC621800	TR UMX1N	CA-2	
Q1808	VC617500	TR DTC114EUA	CA-2	
Q1808	VC621700	TR UN5211	CA-2	
Q1911	VC618200	TR DTC144EUA	CA-2	
Q1911	VC609300	TR UN5213	CA-2	
Q1912	VC622900	TR DTA114EUA	CA-2	NEW
Q1913	VC622900	TR DTA114EUA	CA-2	NEW
Q1914	VC618200	TR DTC144EUA	CA-2	
Q1914	VC609300	TR UN5213	CA-2	
Q1915	VC607900	TR 2SD1819A-R	CA-2	
Q1915	VC603200	TR 2SC4081-R	CA-2	
Q3001	VC623100	TR DTA144TUA	SY-1	NEW
Q3001	VC623000	TR UN5110	SY-1	NEW
Q3002	VC604100	TR 2SC4396	SY-1	
Q3002	VC604700	TR DTC144EU	SY-1	
Q3002	VC609300	TR UN5213	SY-1	
Q3002	VC618200	TR DTC144EUA	SY-1	
Q3003	VC604100	TR 2SC4396	SY-1	
Q3003	VC604700	TR DTC144EU	SY-1	
Q3003	VC609300	TR UN5213	SY-1	
Q3003	VC618200	TR DTC144EUA	SY-1	
Q3004	VC602600	TR 2SA1676	SY-1	
Q3004	VC611800	TR DTA144EU	SY-1	
Q3004	VC609200	TR UN5113	SY-1	
Q3004	VC618300	TR DTA144EUA	SY-1	
Q3007	VC607900	TR 2SD1819A-R	SY-1	
Q3008	VC603600	TR 2SA1677	SY-1	
Q3008	VC614800	TR DTA124EU	SY-1	
Q3008	VC615300	TR UN5112	SY-1	
Q3008	VC622300	TR DTA124EUA	SY-1	
Q5001	VC619300	TR CPH3109	PW-1	
Q5002	VC619300	TR CPH3109	PW-1	
Q5003	VC622000	TR 2SA2018	PW-1	
Q5004	VC619200	TR CPH3205	PW-1	
Q5005	VC618600	TR 2SC4617 R	PW-1	
Q5006	VC621400	TR 2SA1774 R	PW-1	

PARTS LIST

C2100 ULTRA ZOOM

REF NO	PARTS NO	DESCRIPTION	REMARKS	NOTE
Q5007	VC621400	TR 2SA1774 R	PW-1	
Q5008	VC619300	TR CPH3109	PW-1	
Q5009	VC622000	TR 2SA2018	PW-1	
Q5010	VC622000	TR 2SA2018	PW-1	
Q5011	VC622000	TR 2SA2018	PW-1	
Q5012	VC619300	TR CPH3109	PW-1	
Q5014	VC618700	TR DTC114EE	PW-1	
Q5015	VC618900	TR DTA114YE	PW-1	
Q5016	VC618700	TR DTC114EE	PW-1	
Q5017	VC618700	TR DTC114EE	PW-1	
Q5018	VC618700	TR DTC114EE	PW-1	
Q5019	VC616700	TR UMH11N	PW-1	
Q5020	VC615800	TR UMZ1N	PW-1	
Q5021	VC619700	TR CPH5701-TL SW	PW-1	
Q5022	VC619700	TR CPH5701-TL SW	PW-1	
Q5024	VC615800	TR UMZ1N	PW-1	
Q5024	VC609800	TR XP4601	PW-1	
Q5025	VC620400	TR CPH6401	PW-1	
Q5026	VC619700	TR CPH5701-TL SW	PW-1	
Q5027	VC619700	TR CPH5701-TL SW	PW-1	
Q5028	VC616700	TR UMH11N	PW-1	
Q5029	VC616900	TR UMC2N	PW-1	
Q5030	VC615800	TR UMZ1N	PW-1	
Q5030	VC609800	TR XP4601	PW-1	
Q5031	VC615900	TR UMY1N	PW-1	
Q5032	VC619800	TR FTS2005-TL	PW-1	
Q5035	VC616700	TR UMH11N	PW-1	
Q5037	VC616900	TR UMC2N	PW-1	
Q5038	VC618900	TR DTA114YE	PW-1	
Q5401	VC618800	TR DTC123JE	PW-1	
Q5402	VC618700	TR DTC114EE	PW-1	
Q5405	VC619200	TR CPH3205	PW-1	
Q5406	VC619300	TR CPH3109	PW-1	
Q5407	VC618600	TR 2SC4617 R	PW-1	
Q5409	VC622100	TR CY25AAJ-8	PW-1	
Q5450	VC621500	TR DTA143ZE	PW-1	
Q5451	VC621600	TR DTC143ZE	PW-1	
Q5453	VC619100	TR UMC5N	PW-1	
Q5454	VC621600	TR DTC143ZE	PW-1	
Q5455	VC618600	TR 2SC4617 R	PW-1	
Q7200	VC617300	TR 2SA1577-Q	TC-2	
Q7501	VC618400	TR 2SA1576A-R	CA-3	
Q9001	VC607900	TR 2SD1819A-R	CA-1	
Q9001	VC603200	TR 2SC4081-R	CA-1	
Q9002	VC620700	TR 2SC3931-D	CA-1	
Q9003	VC607900	TR 2SD1819A-R	CA-1	
Q9003	VC603200	TR 2SC4081-R	CA-1	
Q9701	VC617500	TR DTC114EUA	TC-1	
Q9702	VC617500	TR DTC114EUA	TC-1	
Q9703	VC617500	TR DTC114EUA	TC-1	
Q9704	VC622600	TR 2SC4555-6	TC-1	NEW
Q9704	VC622700	TR 2SC4555-7	TC-1	NEW
Q9705	VC609400	TR 2SA1745-7	TC-1	

PARTS LIST

C2100 ULTRA ZOOM

REF NO	PARTS NO	DESCRIPTION	REMARKS	NOTE
Q9705	VC609500	TR 2SA1745-6	TC-1	
Q9706	VC621000	TR UMH10N	TC-1	
Q9708	VC614300	TR DTC115EU	TC-1	
Q9709	VC614200	TR IMZ1	TC-1	
Q9714	VC614300	TR DTC115EU	TC-1	
S1701	VC861500	SWITCH,PUSH	CA-4	
S1702	VC861500	SWITCH,PUSH	CA-4	
S1703	VC861500	SWITCH,PUSH	CA-4	
S1901	VC863300	SWITCH,PUSH 1P-1TX1	CA-2	
S3001	VC863300	SWITCH,PUSH 1P-1TX1	SY-1	
S3002	VC867900	SWITCH,PUSH	SY-1	NEW
S3501	VC861500	SWITCH,PUSH	SY-2	
S3502	VC861500	SWITCH,PUSH	SY-2	
S3503	VC861500	SWITCH,PUSH	SY-2	
S7501	VC868200	CERAMIC GYRO	CA-3	NEW
S7502	VC868100	CERAMIC GYRO	CA-3	NEW
T5001	VC868300	TRANS,POWER,PULSE	PW-1	NEW
T5002	VC868400	TRANS,POWER,PULSE	PW-1	NEW
T5003	VC862400	TRANS,POWER,PULSE	PW-1	
T5401	VC861800	TRANS,STEP UP	PW-1	
X1101	VC857600	OSC,CRYSTAL 14.31818MHZ [C-21(U),(G)NTSC] RIVER	CA-2	
X1101	VC864500	OSC,CRYSTAL 14.31818MHZ RIVER	CA-2	
X1701	VC861600	OSC,CRYSTAL 3.579545MHZ [C-21(U),(G)NTSC] RIVER	CA-4	
X1701	VC862500	OSC,CRYSTAL 4.433619MHZ [(E),(G)PAL] RIVER	CA-4	
X1702	VC861600	OSC,CRYSTAL 3.579545MHZ [C-21(U),(G)NTSC] RIVER	CA-4	
X1702	VC862500	OSC,CRYSTAL 4.433619MHZ [(E),(G)PAL] RIVER	CA-4	
X3001	VC864200	OSC,CERAMIC 4.00MHZ	SY-1	
X3002	VC862000	OSC,CRYSTAL 32.768KHZ	SY-1	
X7000	VC868700	OSC,CRYSTAL 19.6608MHZ	TC-2	NEW
Y0084	VC266400	SCR PAN PCS 1.7X3 HOLDER MONITOR	CA-4	NEW
Y1001	VC143400	SPACER SOCKET SM-SX352 SPACER SIDE-A	CA-2	NEW
Y5501	VC867500	SPACER AF LED SX352 SPACER AF LED-SX352	TB-3	NEW
Z1701	VC867600	BATTERY,RECHARGE	CA-4	NEW
	VC126200	SPACER SHEET ST-1 C5412	PW-1	
	VC145100	SPACER SX352	TC-2	NEW
	VC141200	SPACER SY1-SX352/JO	SY-1	NEW
	VC867200	HOLDER MODE LCD-SX352/JO	SY-2	NEW
	VC867400	SPACER MODE LCD-SX352/JO	SY-2	NEW
	VC867300	TERMINAL MODE LCD-SX352	SY-2	NEW