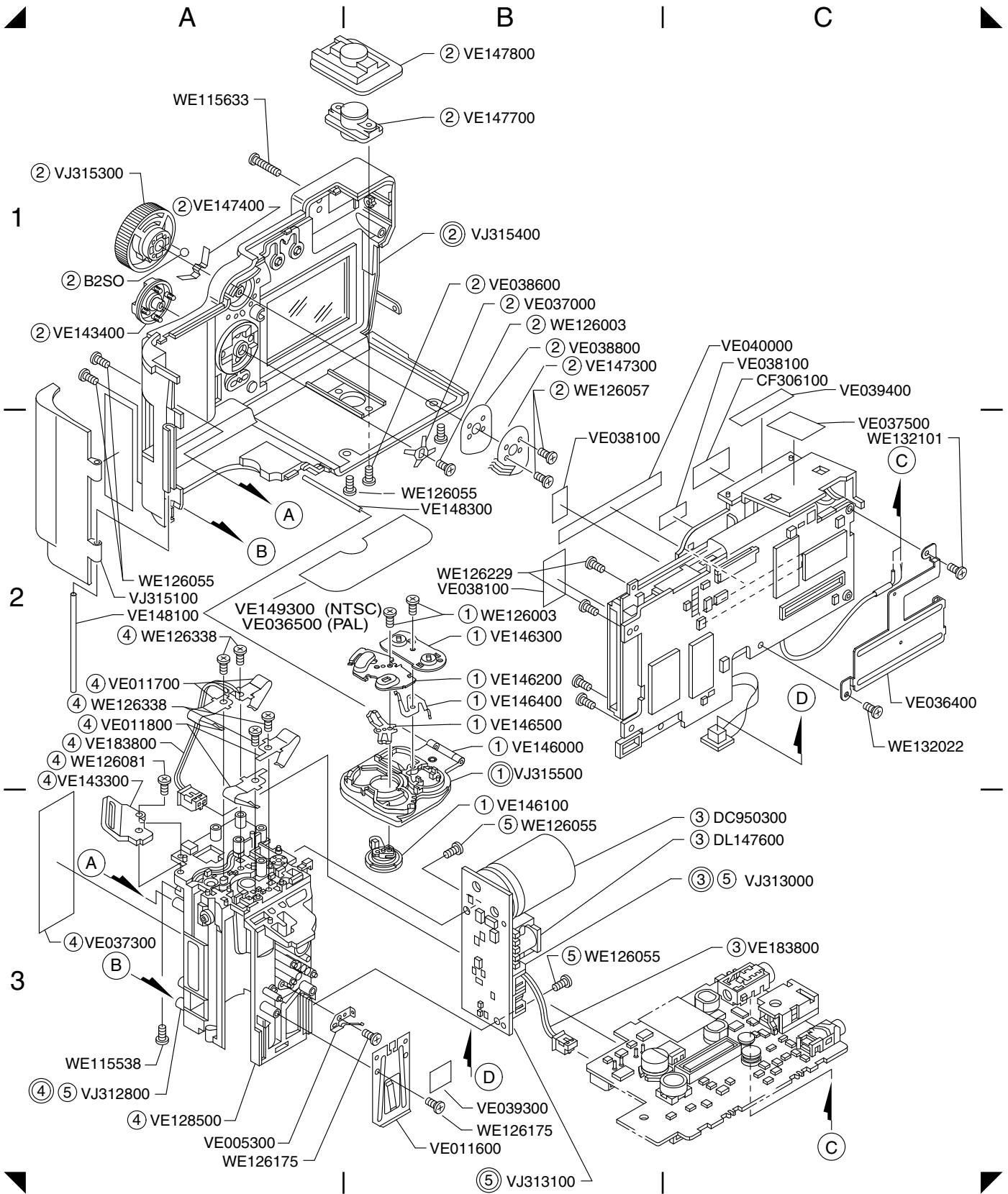


EXPLODED PARTS DIAGRAM

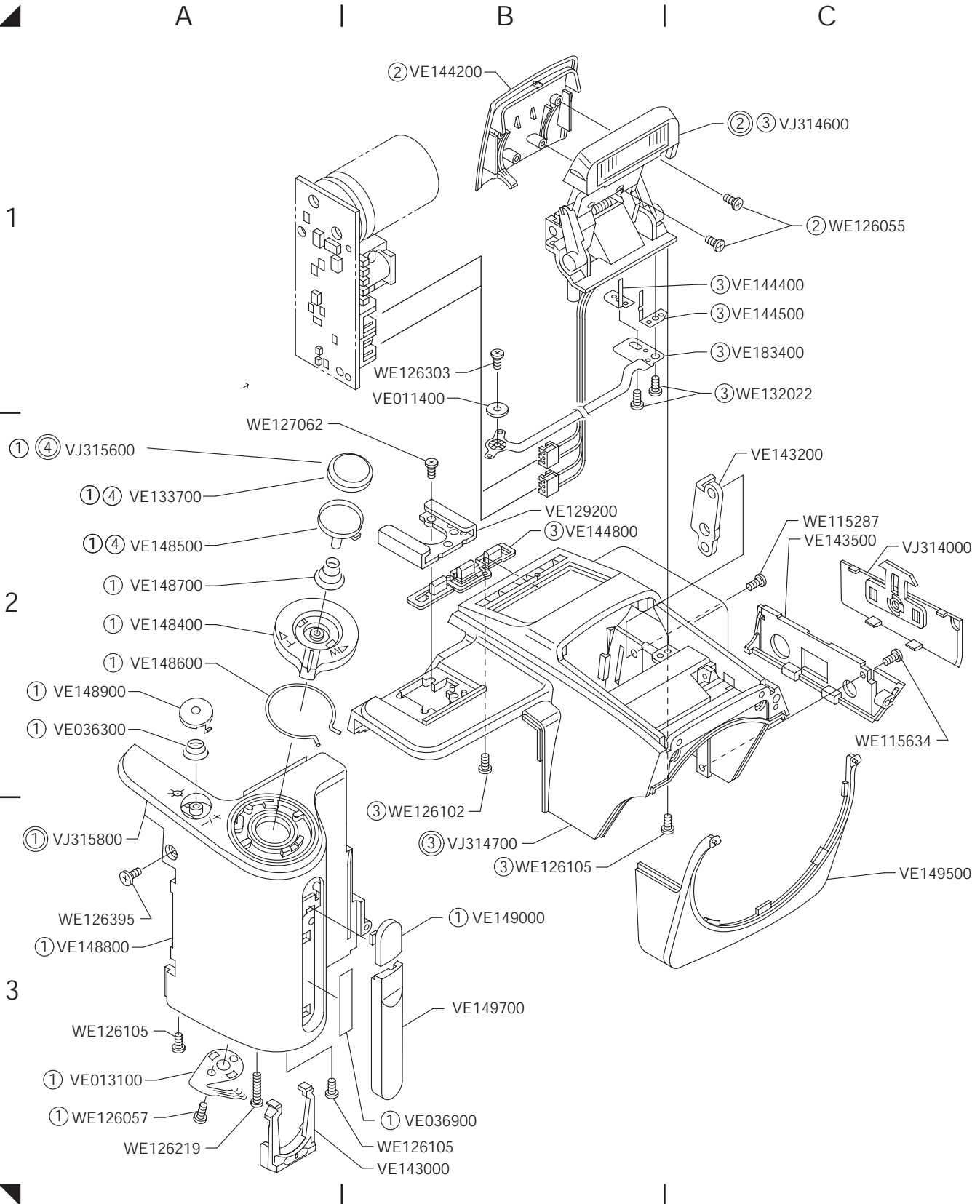


EXPLODED PARTS DIAGRAM

MODEL	HOUSE CODE or UNIT	FIG.
C-2500L	D4809	1/3
OLYMPUS OPTICAL CO.,LTD.TOKYO,JAPAN		

Ver.1.0
1999.12

EXPLODED PARTS DIAGRAM

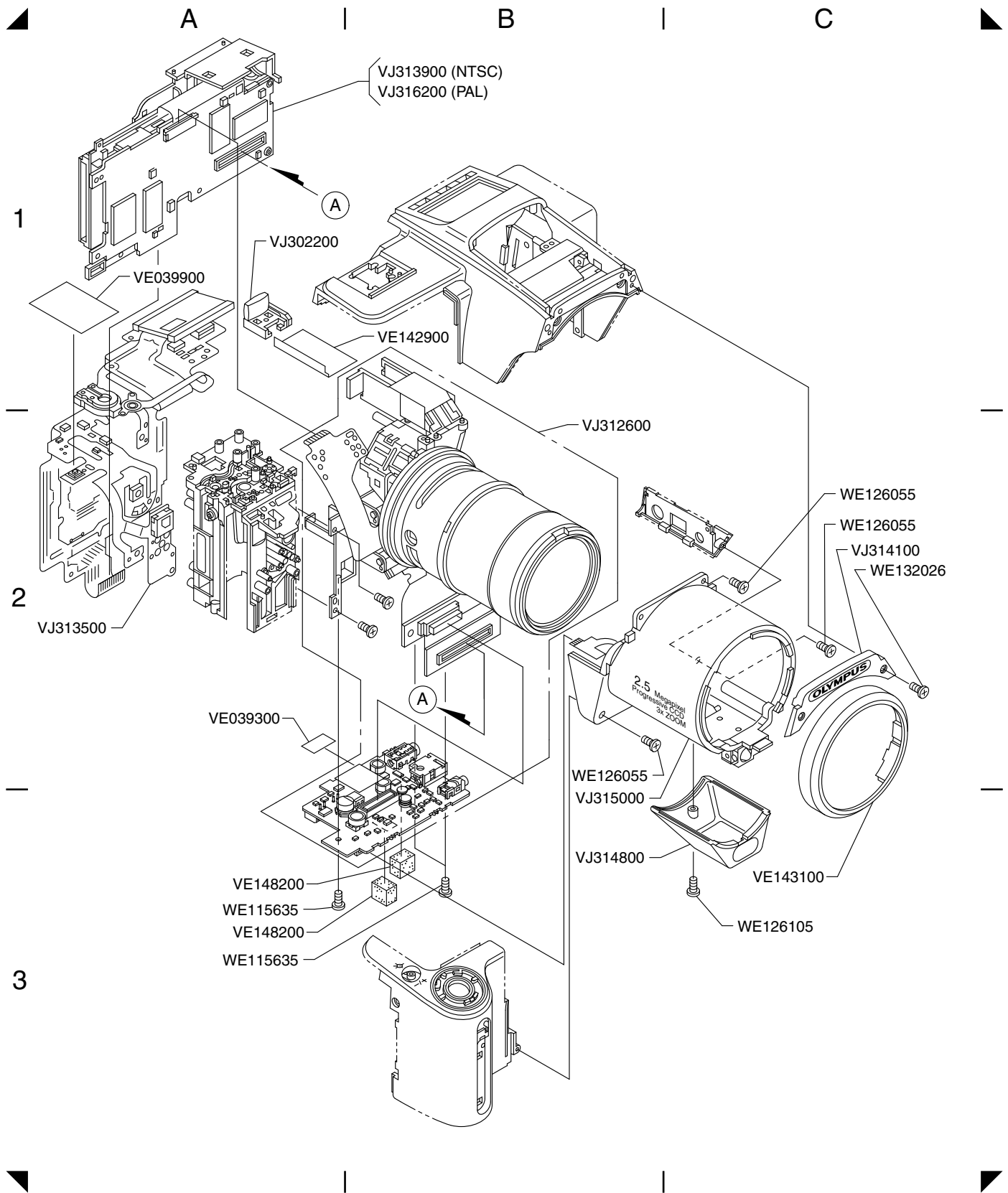


EXPLODED PARTS DIAGRAM

MODEL	HOUSE CODE or UNIT	FIG.
C-2500L	D4809	2/3
OLYMPUS OPTICAL CO.,LTD.TOKYO,JAPAN		

Ver.1/Rev.4
2002.10

EXPLODED PARTS DIAGRAM



EXPLODED PARTS DIAGRAM

MODEL	HOUSE CODE or UNIT	FIG.
C-2500L	D4809	3/3
OLYMPUS OPTICAL CO.,LTD.TOKYO,JAPAN		

Ver.1.0
1999.12

PARTS LIST

C-2500L

PARTS NO.	DESCRIPTION	REMARKS	NOTE
CF306100	C.B.A. Tape_E	1-C2	NEW
DC950300	M Capacitor	1-B3	NEW
DL147600	M Transformer	1-B3	
VE005300	D Contact 2	1-A3	NEW
VE011400	DC CONNECT NW	2-B1	
VE011600	Battery Contact L1	1-B3	NEW
VE011700	Battery Contact 1	1-A1	NEW
VE011800	Battery Contact T2	1-A2	
VE013100	Z Contact	2-A3	
VE036300	Compensatory Spring	2-A2	NEW
VE036400	B2B Holder	1-C2	NEW
VE036500	Model Seal GE(PAL)	1-B2	NEW
VE036900	Grip Tape	2-B3	NEW
VE037000	Function Spring	1-B2	NEW
VE037300	SW Tape 1	1-A3	NEW
VE037500	SW Tape 3	1-C2	NEW
VE038100	SW Tape 4	1-C2	NEW
VE038600	Tripod Screw	1-B2	NEW
VE038800	Dial Washer	1-B2	NEW
VE039300	Shield Tape	3-A2	NEW
VE039400	SW Tape 5	1-C1	NEW
VE039900	Compensatory Seal	3-A1	NEW
VE040000	TFT Cover	1-B2	NEW
VE128500	Battery Case G	1-A3	NEW
VE129200	X Holder	2-B2	NEW
VE133700	Release Cap	2-A2	NEW
VE134600	1G Seal G		NEW
VE142900	BKL Plate	3-A1	NEW
VE143000	L Battery Holder	2-A3	NEW
VE143100	Front Ring	3-C2	NEW
VE143200	Strap Plate R	2-C2	NEW
VE143300	Strap Plate L	1-A3	NEW
VE143400	Function Buttom	1-A1	NEW
VE143500	Connector Honder	2-C2	NEW
VE144200	ST Cover G	2-B1	NEW
VE144400	STSW1G	2-B1	NEW
VE144500	STSW2G	2-B1	NEW
VE144800	Upper Mode Buttom	2-B2	NEW
VE146000	Battery CoverG	1-B2	NEW
VE146100	Battery Knob G	1-B3	NEW
VE146200	Battery Lock Plate	1-B2	NEW
VE146300	Battery Plate	1-B2	NEW
VE146400	Battery Contact 1	1-B2	NEW
VE146500	Battery Contact 2	1-B2	NEW
VE147300	M Contact G	1-B2	NEW
VE147400	Spring M	1-A1	NEW
VE147700	Tripod Base	1-B1	NEW
VE147800	Tripod Cover	1-B1	NEW
VE148100	Card Shaft	1-A2	NEW
VE148200	PW Sponge	3-B3	NEW
VE148300	Battery Shaft	1-B2	NEW
VE148400	Z Lever	2-A2	NEW
VE148500	Release Button G	2-A2	NEW
VE148600	Z Spring G	2-A2	NEW
VE148700	R Spring G	2-A2	NEW
VE148800	Grip	2-A3	NEW
VE148900	Compensatory Button	2-A2	NEW
VE149000	Remote Control Cover	2-B3	NEW
VE149300	Model Seal GJN (NTSC)	1-B2	NEW
VE149500	Lens Under Cover	2-C3	NEW
VE149700	Grip Rabber	2-B3	NEW

PARTS LIST

C-2500L

PARTS NO.	DESCRIPTION	REMARKS	NOTE
VE183400	09ST-FPCB	2-B1	NEW
VE183800	09PW-HS	1-A2	NEW
VJ302200	Finder Lens #	3-A1	
VJ312600	Lens-CCD Unit	3-B2	NEW
VJ312800	Battery Case G#-1	1-A3	NEW
VJ313000	ST C.B.A. G#-2	1-B3	NEW
VJ313100	Battery Case G#-2	1-B3	NEW
VJ313500	SW FPC G#-3	3-A2	NEW
VJ313900	Main GNT#-2 (NTSC)	3-A1	NEW
VJ314000	Connector Cover G#	2-C2	NEW
VJ314100	Logo Plate	3-C2	NEW
VJ314600	ST Case G	2-B1	NEW
VJ314700	Upper Cover	2-B2	NEW
VJ314800	L Under Cover	3-C3	NEW
VJ315000	Front Cover G#	3-C2	NEW
VJ315100	Card Cover G#	1-A2	NEW
VJ315300	Mode Dial	1-A1	NEW
VJ315400	Rear Cover G#-2	1-A1	NEW
VJ315500	Battery CoverG#	1-B2	NEW
VJ315600	Release Button#	2-A2	NEW
VJ315800	Grip G#	2-A3	NEW
VJ316200	Main GPL#-2 (PAL)	3-A1	NEW
WE115287	PUK2X4.5SN		NEW
WE115415	PUK1.6X3.5SN		NEW
WE115538	PUK1.6X2.5SN		NEW
WE115633	PUK1.6X9SB		NEW
WE115634	PUK1.6-235SN		NEW
WE115635	PUK1.6-425SN		NEW
WE126003	PUTB1.4X3SN (CT WE127003)		
WE126055	PUTB1.6X3.5SB		NEW
WE126057	PUTB1.4X2.5SN		NEW
WE126081	PUTB1.6x4SN		NEW
WE126102	PUTB1.6X3.5SN		
WE126105	PUTB1.6X4SB		
WE126175	PUTB1.6-430SN		
WE126219	PUTB1.6X9SN		NEW
WE126229	PUTB1.6-235SN		NEW
WE126303	PUTB1.6-630SN		
WE126309	PUTB1.4X5SB		NEW
WE126338	PUTB2x2.8SN		NEW
WE126394	PUTB1.6-430SB		NEW
WE126395	PUTB1.6-430SH		NEW
WE127062	PSTB1.6X6SG		NEW
WE132022	3PUTB1.6x3.5SN		NEW
WE132026	3PUTB1.6x4SN		NEW
WE132043	3PUTB1.6x3SN		NEW
WE132101	3PUTB1.6x11.5SN		NEW
WE201010	B2SO		NEW