

A

B

C

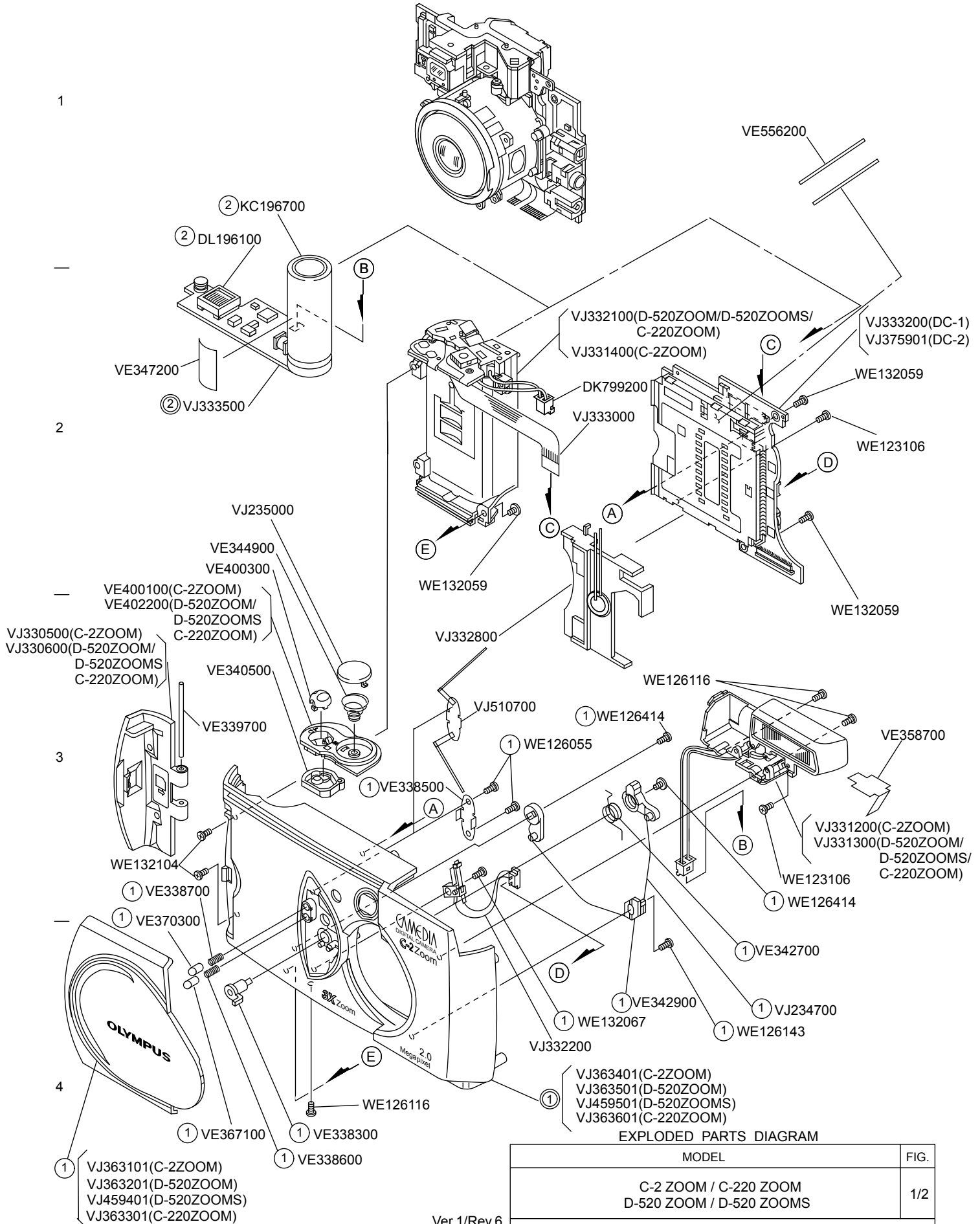
D

1

2

3

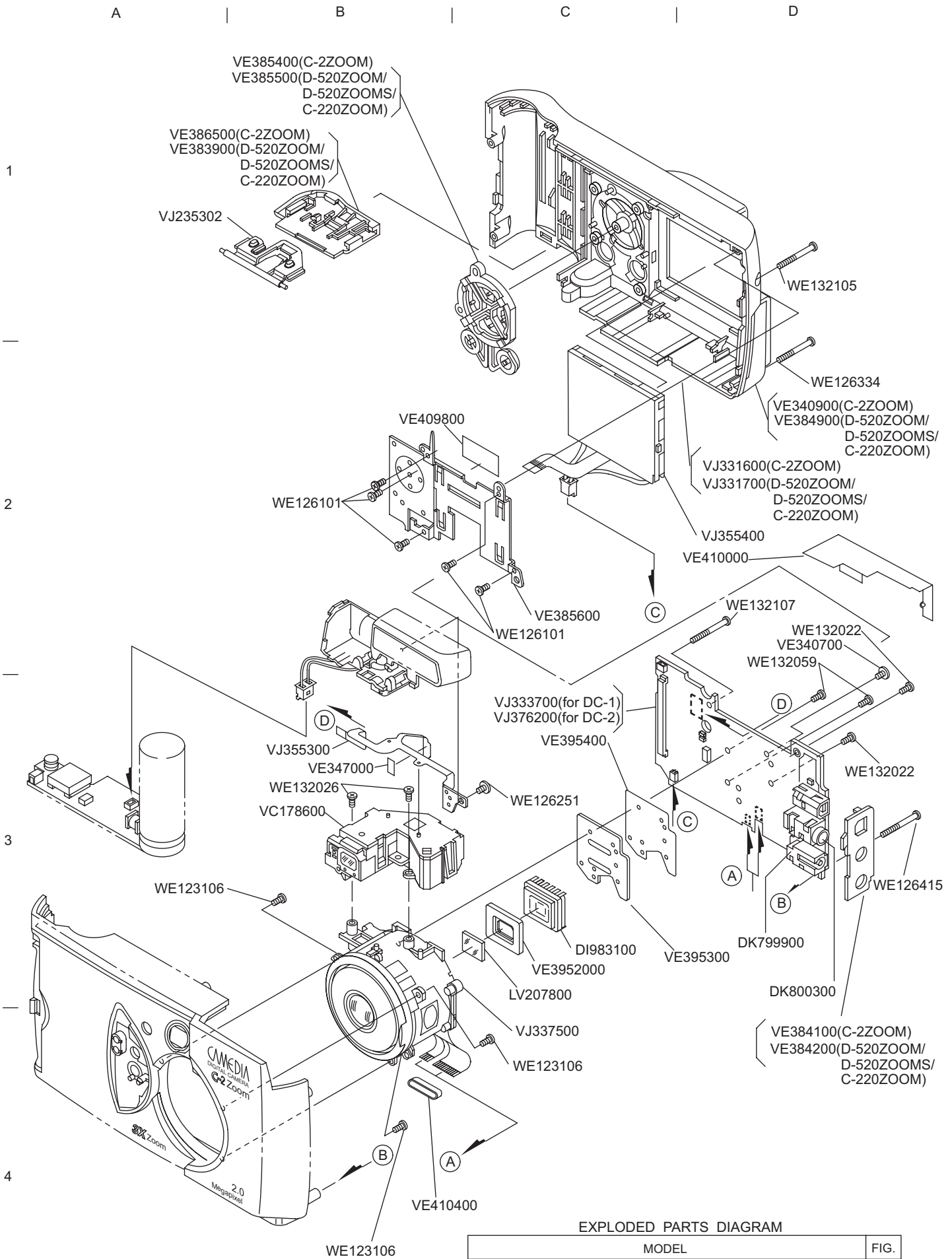
4



EXPLODED PARTS DIAGRAM

MODEL	FIG.
C-2 ZOOM / C-220 ZOOM D-520 ZOOM / D-520 ZOOMS	1/2
OLYMPUS OPTICAL CO.,LTD.TOKYO,JAPAN	

Ver.1/Rev.6
2003.04



EXPLODED PARTS DIAGRAM

MODEL	FIG.
C-2 ZOOM / C-220 ZOOM D-520 ZOOM / D-520 ZOOMS	2/2
OLYMPUS OPTICAL CO.,LTD.TOKYO,JAPAN	

Ver.1/Rev.5
2002.10

PARTS LIST

C-2Z/C-220Z/D-520Z/D-520ZS

REF No.	PARTS NO	DESCRIPTION	REMARKS	NOTE
	DI983100	CCD	2-C3	NEW
	DK799200	CONNECTOR (BATTERY HARNESS)	1-C2	NEW
	DK799900	PC-CONNECTOR (DC JACK)	2-D3	
	DK800300	PC-CONNECTOR (VIDEO JACK)	2-D3	
	DL196100	TRANSFORMER	1-A1	NEW
	DY271600	SWITCH (CARD DOOR SWITCH)		
	KC196700	CONDENSER	1-A1	NEW
	LV207800	LPF	2-C3	NEW
	VC178600	FINDEAR#2	2-B3	
	VE338300	LEVER PROTECT	1-B4	
	VE338500	HOLDER BOARD	1-B3	
	VE338600	SPRING CLICK1	1-B4	
	VE338700	SPRING CLICK2	1-A3	
	VE339700	SHAFT DOOR	1-A3	
	VE340500	RUBBER ZOOM	1-A3	
	VE340700	CCD SCREW	2-D2	
	VE340900	COVER JACK(J) : C-2Z	2-D2	
	VE342700	ST SPRING	1-D4	
	VE342900	ST GUIDE	1-C4	
	VE344900	SPRING SHUTTER	1-A2	
	VE347000	ZR TAPE2	2-B3	
	VE347200	MC TAPE	1-A2	
	VE358700	ST SHEET	1-D3	
	VE367100	LEVER CLICK	1-A4	
	VE370300	LEVER CLICK2	1-A3	
	VE383900	COVER BATTERY(U,E) : D-520Z/D-520ZS/C-220Z	2-B1	NEW
	VE384100	JACK PLATE(J) : C-2Z	2-D3	NEW
	VE384200	JACK PLATE(U,E) : D-520Z/D-520ZS/C-220Z	2-D3	NEW
	VE384900	COVER JACK(U,E) : D-520Z/D-520ZS/C-220Z	2-D2	NEW
	VE385400	CROSS BUTTON(J) : C-2Z	2-B1	NEW
	VE385500	CROSS BUTTON(U,E) : D-520Z/D-520ZS/C-220Z	2-B1	NEW
	VE385600	HOLDER LCD	2-C2	NEW
	VE386500	COVER BATTERY(J) : C-2Z	2-B1	NEW
	VE395200	CCD-RUBBER	2-C3	NEW
	VE395300	CCD-HOLDER	2-D3	NEW
	VE395400	CCD-INSULATION	2-C3	NEW
	VE400100	BUTTON BASE(J) : C-2Z	1-A3	NEW
	VE400300	ZOOM BUTTON	1-A2	NEW
	VE402200	BUTTON BASE(U,E) : D-520Z/D-520ZS/C-220Z	1-A3	NEW
	VE409800	LCD TAPE	2-B2	NEW
	VE410000	083 SHIELD SHEET	2-D2	NEW
	VE410400	K-FPCA CORE	2-B4	NEW
	VE556200	ESD-HS2		NEW
	VJ234700	COVER LENS LEVER#	1-D4	
	VJ235000	CAP SHUTTER#	1-A2	
	VJ235302	D TERMINAL BATT	2-A1	
	VJ330500	COVER CARD(J) : C-2Z	1-A3	NEW
	VJ330600	COVER CARD(U,E) : D-520Z/D-520ZS/C-220Z	1-A3	NEW

PARTS LIST

C-2Z/C-220Z/D-520Z/D-520ZS

REF No.	PARTS NO	DESCRIPTION	REMARKS	NOTE
	VJ331200	ST CASE#2(J) : C-2Z	1-D3	NEW
	VJ331300	ST CASE#2(U,E) : D-520Z/D-520ZS/C-220Z	1-D3	NEW
	VJ331400	BATTERY BOX#1(J) : C-2Z	1-C2	NEW
	VJ331600	CABINET BACK#1(J) : C-2Z	2-D2	NEW
	VJ331700	CABINET BACK#(U,E) : D-520Z/D-520ZS/C-220Z	2-D2	NEW
	VJ332100	BATTERY BOX#1(U,E) : D-520Z/D-520ZS/C-220Z	1-C2	NEW
	VJ332200	BAR-UT	1-C4	NEW
	VJ332800	BZ-UT	1-B3	NEW
	VJ333000	ZR-FPCA	1-C2	NEW
	VJ333200	MC-PCA1	1-D2	NEW
	VJ333500	FL-PCA2	1-A2	NEW
	VJ333700	CJ-PCA2	2-C3	NEW
	VJ337500	LENS#	2-C4	NEW
	VJ355300	FST-FPCA	2-B3	NEW
	VJ355400	TFT-UT	2-D2	NEW
	VJ363100	COVER LENS#(J) : C-2Z	1-A4	NEW
	VJ363200	COVER LENS#(U) : D-520Z	1-A4	NEW
	VJ363300	COVER LENS#(E) : C-220Z	1-A4	NEW
	VJ363400	CABINET FRONT#(J) : C-2Z	1-C4	NEW
	VJ363500	CABINET FRONT#(U) : D-520Z	1-C4	NEW
	VJ363600	CABINET FRONT#(E) : C-220Z	1-C4	NEW
	VJ459401	COVER LENS#(K) : D-520ZS	1-C4	NEW
	VJ459501	CABINET FRONT#(K) : D-520ZS	1-C4	NEW
	VJ375901	MC2-PCA1	1-D2	NEW
	VJ376200	CJ2-PCA2	2-C3	NEW
	VJ510700	ESD-Plate#		NEW
	WE123106	3PUTB1.6x5.5SB	1-D2	
	WE126055	PUTB1.6x3.5SB	1-C3	
	WE126101	PUTB1.6x3SN	2-B2	
	WE126116	PUTB1.6x4.5SN	1-C3	
	WE126143	PUTB1.6x5SN	1-D4	
	WE126251	PUTB1.6-428SN	2-C3	
	WE126334	PUTB1.6x15SN	2-D2	
	WE126414	PUTB-1.6-645SN	1-C3	
	WE126415	PUTB1.6-2140SN	2-D3	
	WE132022	3PUTB1.6x3.5SN	2-D2	
	WE132026	3PUTB1.6x4SN	2-B3	
	WE132059	3PUTB1.6x4.5SN	1-B2	
	WE132067	3PUTB2x4SN	1-C4	
	WE132104	3PUTB1.6x5.5SN	1-A3	
	WE132105	3PUTB1.6X15SN	2-D1	
	WE132107	3PUTB1.6x21SN	2-D2	NEW
	VE3958	SN SEAL(J)		NEW
	VE3959	SN SEAL(U)		NEW
	VE3960	SN SEAL(E)		NEW
	VE3961	SN SEAL(GP)		NEW
	VE3962	SN SEAL(GN)		NEW
	VE4042	SN SEAL(CC)		NEW
	VE5250	SN SEAL(K)		NEW