

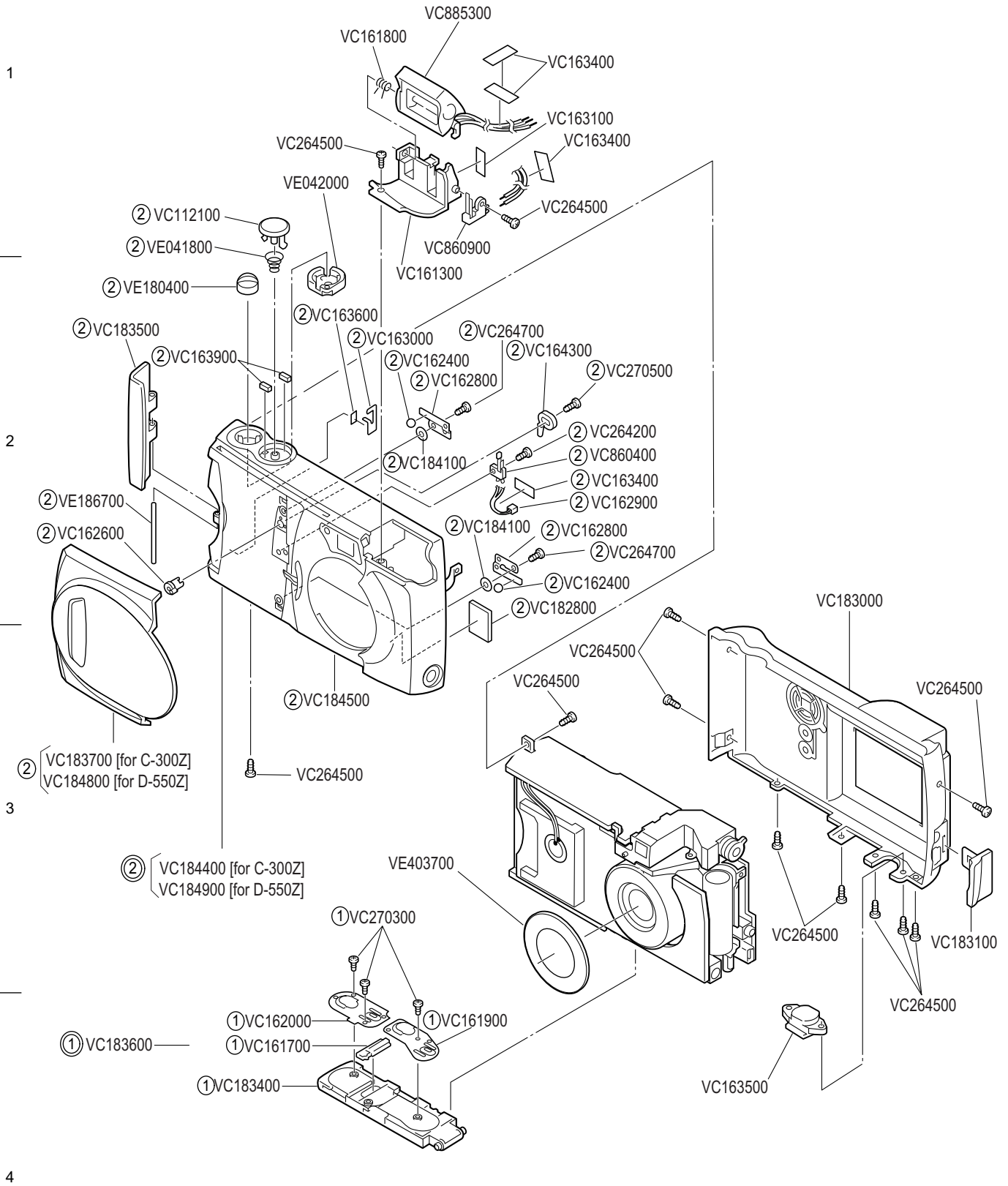
A

B

C

D

Cabinet 1



EXPLODED PARTS DIAGRAM

MODEL	FIG.
C-300 Zoom / D-550 Zoom	1/3
OLYMPUS OPTICAL CO., LTD. TOKYO, JAPAN	

Ver. 1/Rev. 5
2002.05

A

B

C

D

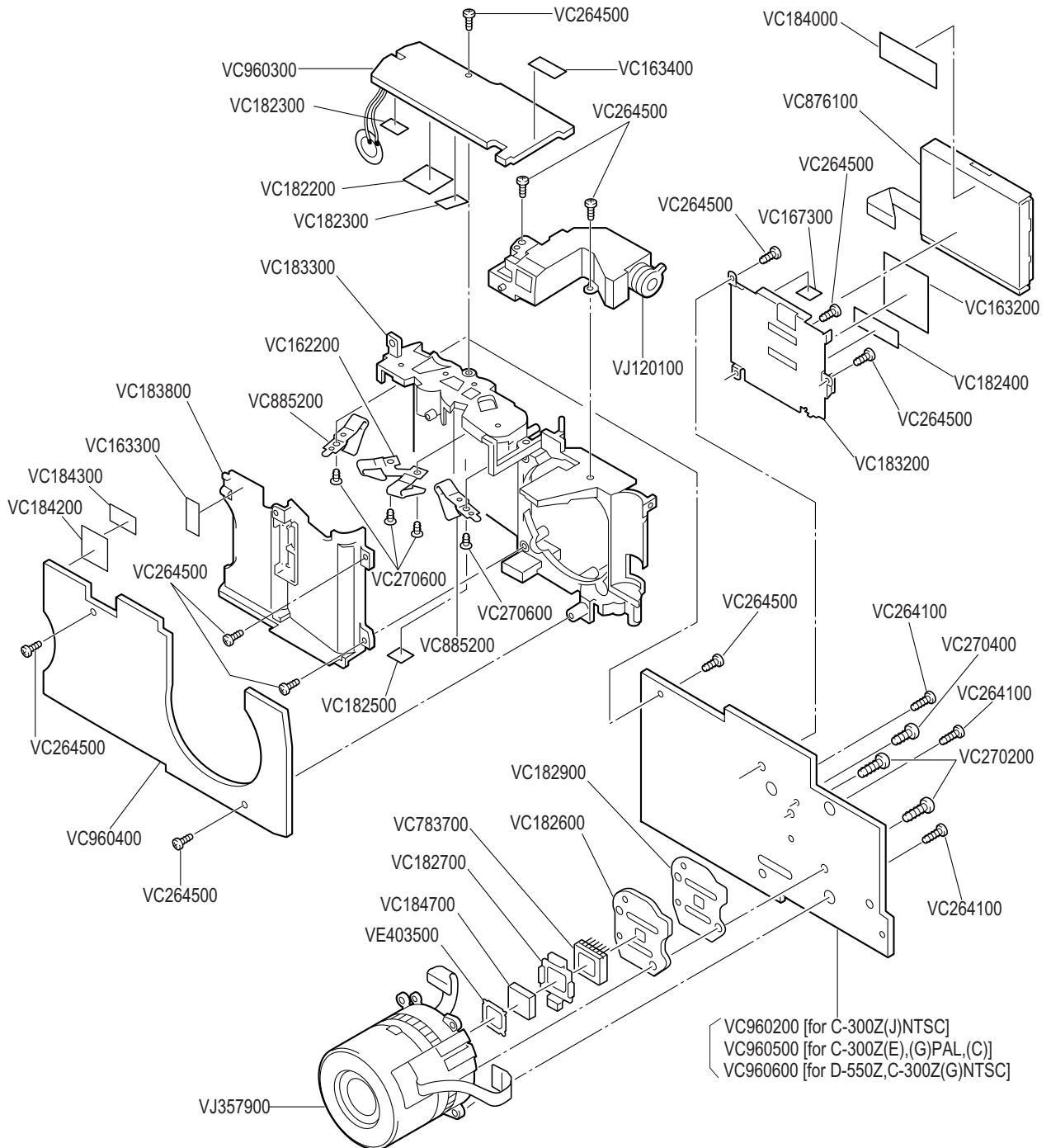
Cabinet 2

1

2

3

4



EXPLODED PARTS DIAGRAM

MODEL	FIG.
C-300 Zoom / D-550 Zoom	2/3
OLYMPUS OPTICAL CO.,LTD.TOKYO,JAPAN	

Ver.1/Rev.5
2002.05

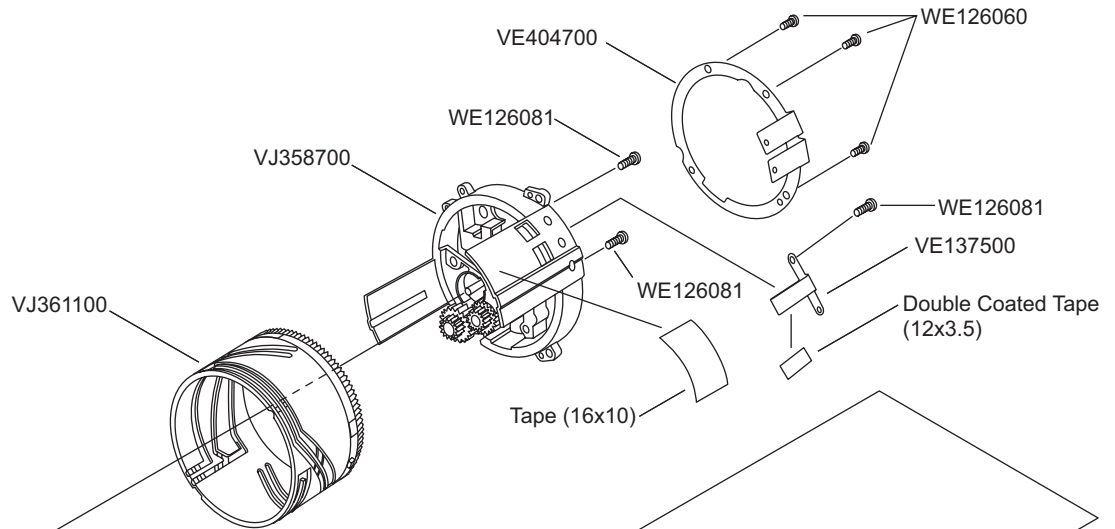
A

B

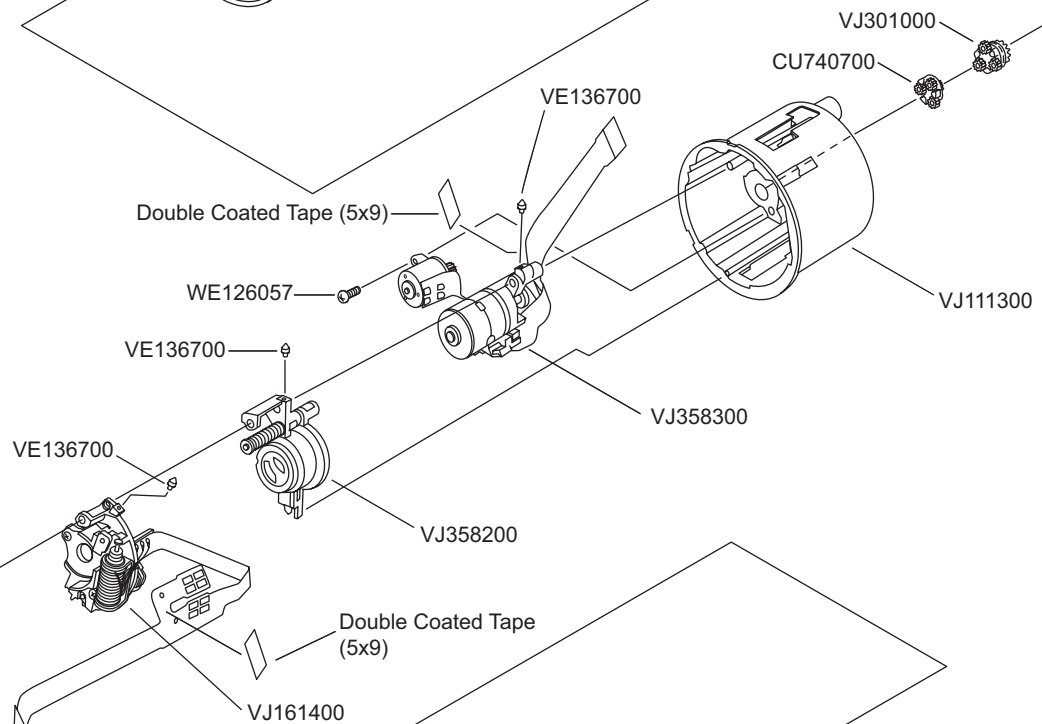
C

D

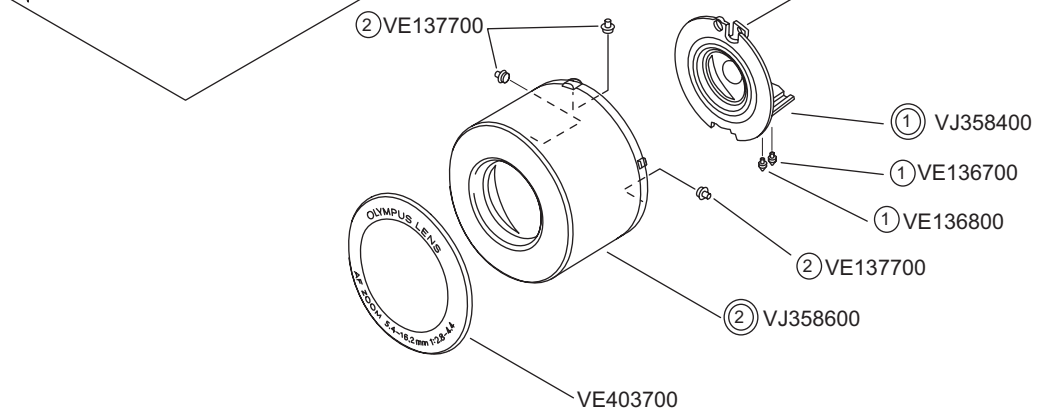
1



2



3



4

EXPLODED PARTS DIAGRAM

MODEL	FIG.
C-300ZOOM / D-550ZOOM	3/3
OLYMPUS OPTICAL CO.,LTD.TOKYO,JAPAN	

Ver.1/Rev.3
2002.08

PARTS LIST

C-300ZOOM/D-550ZOOM

REF NO	PARTS NO	DESCRIPTION	REMARKS	NOTE
	CU740700	CARRIER A#	3-D2	
	VC112100	ASSY,BUTTON SHUTTER	1-A1	
	VC161300	COVER FLASH	1-B2	
	VC161700	KNOB BATTERY	1-B4	
	VC161800	SPRING FLASH	1-B1	
	VC161900	TERMINAL BATTERY A	1-B4	
	VC162000	TERMINAL BATTERY B	1-B4	
	VC162400	BALL,CLICK	1-B2	
	VC162600	LEVER,PROTECT	1-A2	
	VC162800	SPRING PLATE,CLICK	1-B2	
	VC162900	ASSY,WIRE POWERSW&SY1	1-C2	
	VC163000	HOLDER,BRKT HINGE	1-B2	
	VC163100	SPACER BLIND	1-C1	
	VC163400	SPACER WIRE ST	1-C1	
	VC163500	STAND	1-D4	
	VC163600	ADHESIVE TAPE HINGE	1-B2	
	VC163900	SPACER SHUTTER	1-A2	
	VC164300	ARM,PROTECT	1-C2	
	VC182800	SPACER FRONT	1-C2	NEW
	VC183000	COMPL,CABI BACK	1-D2	NEW
	VC183100	COVER JACK	1-D3	NEW
	VC183400	COVER BATTERY	1-B4	NEW
	VC183500	COVER CARD	1-A2	NEW
	VC183600	COMPL,COVER BATT	1-A4	NEW
	VC183700	ASSY,COVER LENS[C-300ZOOM(E),(G)PAL,(G)NTSC,(C)]	1-A3	NEW
	VC184100	SPACER SP PLATE	1-B2	NEW
	VC184400	COMPL,CABI FRONT [C-300ZOOM(E),(G)PAL,(G)NTSC,(C)]	1-A3	NEW
	VC184500	ASSY,CABI FRONT	1-B3	NEW
	VC184800	ASSY,COVER LENS[D-550ZOOM]	1-A3	NEW
	VC184900	COMPL,CABI FRONT [D-550ZOOM]	1-A3	NEW
	VC264200	SCR S-TPG PAN PCS 2X3.5	1-C2	
	VC264500	SCR S-TPG PAN PCS 1.7X4.0	1-D3	
	VC264700	SCR S-TPG PAN PCS 1.7X3.5	1-C2	
	VC270300	SCR S-TPG PAN PCS 1.7X2.5	1-B3	
	VC270500	SCR S-TPG PAN PCS 1.4X4.0	1-C2	
	VC860400	SWITCH,LEAF 1P-1T	1-C2	
	VC860900	SWITCH,LEAF ST	1-B1	
	VC885300	COMPL,FLASH UNIT	1-B1	NEW
	VE403700	DEC LENS	1-B3	NEW
	VE041800	SPRING COMP RELEASE	1-A1	
	VE042000	BUTTON ZOOM	1-B1	
	VE136700	CAM PIN A	3-B2,C2	
	VE136800	CAM PIN B	3-D4	
	VE137500	FPC PLATE	3-D1	
	VE137700	CAM PIN 1Z	3-C3,D4	
	VE180400	KNOB ZOOM	1-B1	
	VE186700	SHAFT DOOR	1-A2	
	VC162200	TERMINAL BATTERY D	2-B2	
	VC163200	SPACER CCD	2-D2	
	VC163300	SPACER WIRE B	2-A2	
	VC163400	SPACER WIRE ST	2-C1	
	VC167300	SPACER COVER LENS B	2-D2	

PARTS LIST

C-300ZOOM/D-550ZOOM

REF NO	PARTS NO	DESCRIPTION	REMARKS	NOTE
	VC182200	SPACER CAPA	2-B2	NEW
	VC182300	SPACER SY1	2-B2	NEW
	VC182400	SPACER LCD	2-D2	NEW
	VC182500	SPACER TERMINAL	2-B3	NEW
	VC182600	MOUNTING,LENS	2-C3	NEW
	VC182700	SPACER	2-B3	NEW
	VC182900	SPACER INSULATOR	2-C3	NEW
	VC183200	HOLDER MONITOR	2-D2	NEW
	VC183300	HOLDER CHASSIS	2-B2	NEW
	VC183800	HOLDER BATTERY	2-A2	NEW
	VC184000	ADHESIVE TAPE MONITOR-574	2-D1	NEW
	VC184200	SPACER INSULATION A	2-A2	NEW
	VC184300	SPACER INSULATION B	2-A2	NEW
	VC184700	OPTICAL FILTER	2-B3	NEW
	VC264100	SCR S-TPG PAN PCS 1.7X6	2-D3	
	VC264500	SCR S-TPG PAN PCS 1.7X4.0	2-C2	
	VC270200	SCR S-TPG PAN 2X5	2-D3	
	VC270400	SCR PAN PCS 1.7X2.5F	2-D3	
	VC270600	SPECIAL SCREW-1.7X2.5	2-B2	
	VC783700	IC MN39592PJJ-A	2-B3	NEW
	VC876100	LCD(COM18T1135LPB)	2-D1	
	VC885200	TERMINAL BATTERY C	2-B2	NEW
	VC960200	COMPL PWB,CP-1 [C-300ZOOM(J)NTSC]	2-D4	NEW
	VC960300	COMPL PWB,SY-1	2-B1	NEW
	VC960400	COMPL PWB,ST-1	2-A3	NEW
	VE403500	SPACER	2-B3	NEW
	VE404700	PR PLATE	3-C1	NEW
	VC960500	COMPL PWB,CP-1 [C-300ZOOM(E),(G)PAL,(C)]	2-D4	NEW
	VC960600	COMPL PWB,CP-1 [D-550 ZOOM, C-300ZOOM(G)NTSC]	2-D4	NEW
	VJ111300	LENS BARREL#-1	3-D2	
	VJ120100	LENS,VF(ASSY)	2-C2	
	VJ161400	S FRAME#	3-B3	
	VJ301000	CARRIER B#	3-D2	
	VJ357900	LENS(ASSY)	2-B4	NEW
	VJ358200	3-4G FRAME	3-C3	NEW
	VJ358300	4Z FRAME#	3-C2	NEW
	VJ358400	4Z FRAME#	3-D3	NEW
	VJ358600	1Z FRAME#-2	3-D4	NEW
	VJ358700	C HOLDER	3-B1	NEW
	VJ361100	CAM FRAME#	3-A1	NEW
	WE126057	PUTB1.4X2.5SN	3-B2	
	WE126060	PUTB1.6X3SB	3-D1	
	WE126081	PUTB1.6X4SN	3-C1,D1	
	VC181400	SHILED TAPE CA3	CP-1	
Q9513	VC602900	TR 2SC4399-5	CP-1	
Q9003	VC603200	TR 2SC4081-R	CP-1	
Q9004	VC603200	TR 2SC4081-R	CP-1	
Q1701	VC607900	TR 2SD1819A-R	CP-1	
Q9003	VC607900	TR 2SD1819A-R	CP-1	
Q9004	VC607900	TR 2SD1819A-R	CP-1	
Q1507	VC609400	TR 2SA1745-7	CP-1	
Q1602	VC609400	TR 2SA1745-7	CP-1	

PARTS LIST

C-300ZOOM/D-550ZOOM

REF NO	PARTS NO	DESCRIPTION	REMARKS	NOTE
Q1507	VC609500	TR 2SA1745-6	CP-1	
Q1602	VC609500	TR 2SA1745-6	CP-1	
Q1502	VC609800	TR XP4601	CP-1	
Q1503	VC609800	TR XP4601	CP-1	
Q9513	VC614700	TR 2SC4399-4	CP-1	
Q1502	VC615800	TR UMZ1N	CP-1	
Q1503	VC615800	TR UMZ1N	CP-1	
Q9506	VC617600	TR DTC123JUA	CP-1	
Q1601	VC618700	TR DTC114EE	CP-1	
Q1501	VC619000	TR UMT1N	CP-1	
Q9505	VC619300	TR CPH3109	CP-1	
Q1304	VC619500	TR DTC144EE	CP-1	
Q1508	VC619500	TR DTC144EE	CP-1	
Q9512	VC619500	TR DTC144EE	CP-1	
Q1305	VC620000	TR UMD3N	CP-1	
Q9001	VC620700	TR 2SC3931-D	CP-1	
Q9510	VC621000	TR UMH10N	CP-1	
Q1504	VC621400	TR 2SA1774 R	CP-1	
Q1301	VC625400	TR UMH2N	CP-1	
Q1505	VC625400	TR UMH2N	CP-1	
Q9514	VC625800	TR DTC115EE	CP-1	
Q1601	VC627100	TR UN9211J	CP-1	
Q1304	VC627200	TR UN9213J	CP-1	
Q1508	VC627200	TR UN9213J	CP-1	
Q9512	VC627200	TR UN9213J	CP-1	
Q1305	VC627400	TR XP4311	CP-1	
IC152	VC736900	IC TK15405MVIDEOAMP	CP-1	
IC955	VC742200	IC TC7W66FKANALOGSW	CP-1	
IC953	VC746500	IC S-8520B33MC	CP-1	
IC107	VC746800	IC SN74LV273ADB	CP-1	
IC103	VC778000	IC HY57V641620HGT-HSDRAM	CP-1	NEW
IC104	VC778000	IC HY57V641620HGT-HSDRAM	CP-1	
IC904	VC780300	IC TK11130CS	CP-1	
IC101	VC780800	IC MB86838PBT2-GCPU 0.65CSP	CP-1	
IC172	VC783000	IC TK11133CS	CP-1	NEW
IC951	VC783100	IC LB8649FNLENS DRIVER	CP-1	NEW
IC103	VC783200	IC K4S641632F-TC75SDRAM	CP-1	NEW
IC104	VC783200	IC K4S641632F-TC75SDRAM	CP-1	NEW
IC901	VC783300	IC MN3114	CP-1	NEW
IC111	VC783400	IC BU2386FVCLOCK-GENERATOR	CP-1	NEW
IC121	VC783500	IC 61301574E [D-550ZOOM,C-300ZOOM(G)NTSC]	CP-1	NEW
IC171	VC783600	IC CM7102L1	CP-1	NEW
IC902	VC783800	IC AD9847AKST	CP-1	NEW
IC103	VC783900	IC W986416DH-7SDRAM	CP-1	NEW
IC104	VC783900	IC W986416DH-7SDRAM	CP-1	NEW
IC102	VC784000	IC KS6M1U1626CBPASIC 0.65CSP	CP-1	NEW
IC121	VC784200	IC 61302574C [C-300ZOOM(E),(G)PAL,(C)]	CP-1	NEW
JK151	VC859800	JACK,PHONE D3.6VIDEOJACK	CP-1	
CN951	VC869800	SOCKET,FFC 10P TO LENS	CP-1	
S1601	VC876500	SWITCH,PUSH	CP-1	
S1602	VC876500	SWITCH,PUSH	CP-1	
S1603	VC876500	SWITCH,PUSH	CP-1	

PARTS LIST

C-300ZOOM/D-550ZOOM

REF NO	PARTS NO	DESCRIPTION	REMARKS	NOTE
S1604	VC876500	SWITCH,PUSH	CP-1	
S1605	VC876500	SWITCH,PUSH	CP-1	
S1606	VC876500	SWITCH,PUSH	CP-1	
X1101	VC881300	OSC,CRYSTAL 14.31818MHZRIVER	CP-1	
CN110	VC885400	SOCKET,USB 5PTO USB	CP-1	NEW
Y5412	VC126200	SPACER SHEET ST-1C5412	ST-1	
Y1401	VC264700	SCR S-TPG PAN PCS 1.7X3.5SMART-MEDIA	ST-1	
Q5016	VC615900	TR UMY1N	ST-1	
Q5006	VC616700	TR UMH11N	ST-1	
Q5022	VC616700	TR UMH11N	ST-1	
Q5004	VC616800	TR UMD2N	ST-1	
Q5003	VC618600	TR 2SC4617 R	ST-1	
Q5011	VC618600	TR 2SC4617 R	ST-1	
Q5026	VC618600	TR 2SC4617 R	ST-1	
Q5027	VC618600	TR 2SC4617 R	ST-1	
Q5407	VC618600	TR 2SC4617 R	ST-1	
Q5402	VC618700	TR DTC114EE	ST-1	
Q5401	VC618800	TR DTC123JE	ST-1	
Q5010	VC618900	TR DTA114YE	ST-1	
Q5001	VC619200	TR CPH3205	ST-1	
Q5008	VC619200	TR CPH3205	ST-1	
Q5405	VC619200	TR CPH3205	ST-1	
Q5406	VC619300	TR CPH3109	ST-1	
Q5017	VC619800	TR FTS2005	ST-1	
Q5002	VC621400	TR 2SA1774 R	ST-1	
Q5005	VC622000	TR 2SA2018	ST-1	
Q5014	VC622000	TR 2SA2018	ST-1	
Q5021	VC622000	TR 2SA2018	ST-1	
Q5409	VC622100	TR CY25AAJ-8	ST-1	
Q5015	VC625900	TR 3LN01S-TL	ST-1	
Q5025	VC625900	TR 3LN01S-TL	ST-1	
Q5007	VC627500	TR UPA1915TE	ST-1	
Q5018	VC627500	TR UPA1915TE	ST-1	
Q5024	VC627500	TR UPA1915TE	ST-1	
Q5013	VC627600	TR CPH5809	ST-1	
IC502	VC734800	IC TC7S08FU	ST-1	
PR502	VC775400	FUSE 32V 1.5A	ST-1	
IC501	VC782000	IC FA7708R	ST-1	
CN141	VC858800	SOCKET,CARD 22PTO SMARTMEDIA	ST-1	
T5402	VC861700	TRANS,STEP UP	ST-1	
S1401	VC863300	SWITCH,PUSH 1P-1TX1	ST-1	
PR501	VC865800	FUSE 32V 2A	ST-1	
PR503	VC865900	FUSE 32V 1A	ST-1	
PR504	VC865900	FUSE 32V 1A	ST-1	
T5003	VC872900	TRANS,POWER,PULSE	ST-1	
T5401	VC877200	TRANS,STEP UP	ST-1	
JK501	VC884000	SOCKET,DCDC JACK	ST-1	
T5001	VC885500	TRANS,POWER,PULSE	ST-1	NEW
T5002	VC885600	TRANS,POWER,PULSE	ST-1	NEW
Q3006	VC603200	TR 2SC4081-R	SY-1	
Q3003	VC604100	TR 2SC4396	SY-1	
Q3006	VC607900	TR 2SD1819A-R	SY-1	

PARTS LIST

C-300ZOOM/D-550ZOOM

REF NO	PARTS NO	DESCRIPTION	REMARKS	NOTE
Q3003	VC609300	TR UN5213	SY-1	
Q3003	VC618200	TR DTC144EUA	SY-1	
Q3007	VC622500	TR DTC123EUA	SY-1	
Q3004	VC622900	TR DTA114EUA	SY-1	
IC302	VC782100	IC NJU7285CV-TE1REGULATOR	SY-1	
IC301	VC784100	IC UPD780023AGB-G03-8EUMICROPROCESSOR	SY-1	NEW
S3001	VC866100	SWITCH,PUSH 1P-2TX1	SY-1	
	VC875400	PIEZO BUZZER PS1550L40N	SY-1	
X3001	VC876800	OSC,CERAMIC 4.00MHZ	SY-1	
X3002	VC884900	OSC,CRYSTAL 32.768KHZ	SY-1	
	VE4078	SERIAL LABEL J (made in Japan)		
	VE4079	SERIAL LABEL J (made in Korea)		
	VE4080	SERIAL LABEL J (made in Indonesia)		
	VE4081	SERIAL LABEL U (made in Japan)		
	VE4082	SERIAL LABEL U (made in Korea)		
	VE4083	SERIAL LABEL U (made in Indonesia)		
	VE4157	SERIAL LABEL C (made in China)		