

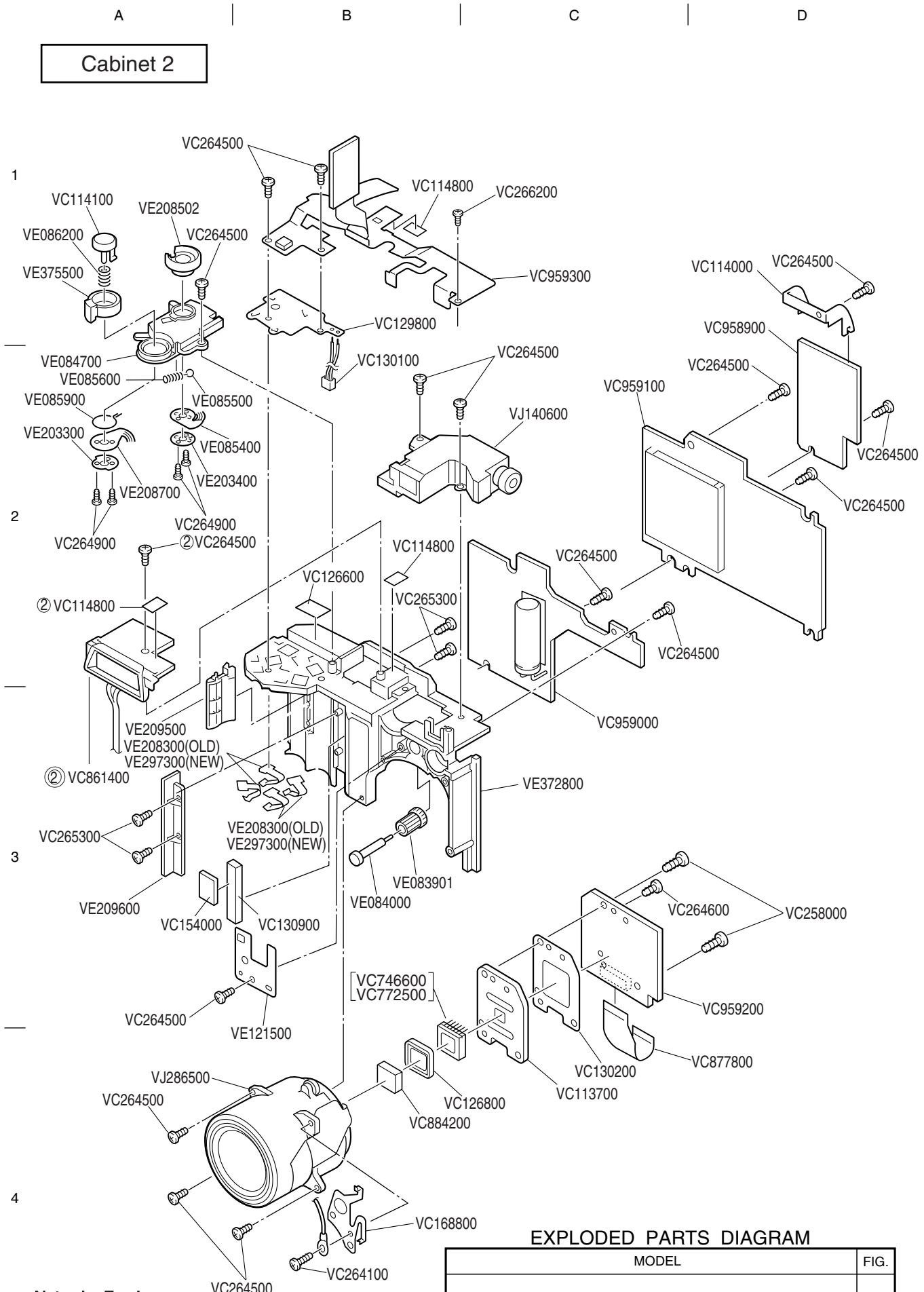
Note: J = For Japan  
 E = For Europe  
 G = For others

Ver.1/Rev.3  
 2002.03

EXPLODED PARTS DIAGRAM

MODEL	FIG.
C-3100ZOOM/C-3020ZOOM	1/3
OLYMPUS OPTICAL CO.,LTD.TOKYO,JAPAN	

**Cabinet 2**

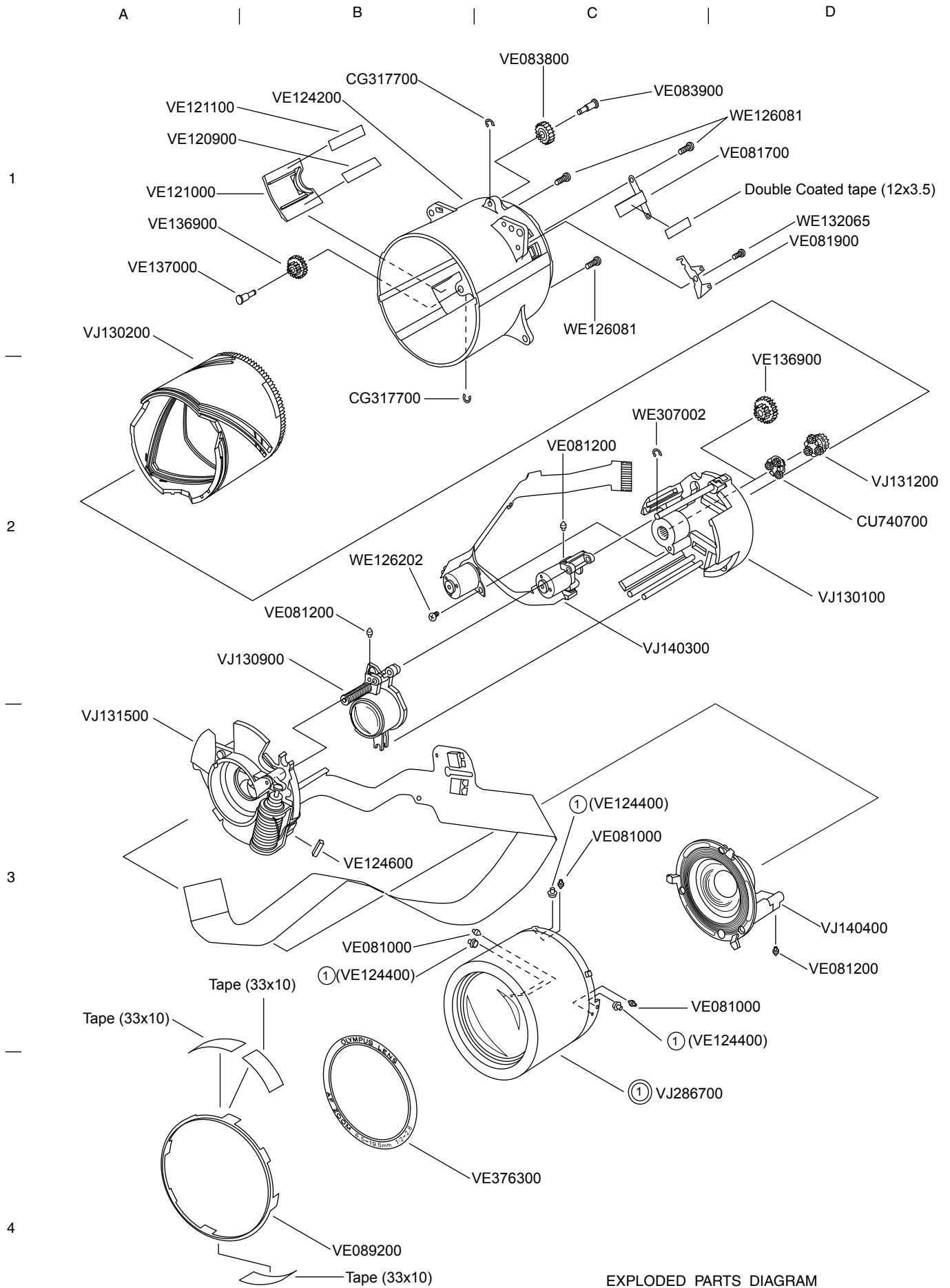


**Note: J = For Japan  
E = For Europe  
G = For others**

Ver.1/Rev.5  
2003.5

**EXPLODED PARTS DIAGRAM**

MODEL	FIG.
C-3100ZOOM/C-3020ZOOM	2/3
<b>OLYMPUS OPTICAL CO.,LTD.TOKYO,JAPAN</b>	



EXPLODED PARTS DIAGRAM

MODEL	FIG.
C-3100 ZOOM / C-3020ZOOM	3/3
OLYMPUS OPTICAL CO., LTD. TOKYO, JAPAN	

Ver.1/Rev.6  
2003.06

## PARTS LIST

C-3100ZOOM/C-3020ZOOM

REF NO	PARTS NO	DESCRIPTION	REMARKS	NOTE
	CG317000	3G STOPPER	3-B1,B2	
	CU740700	CARRIER A#	3-D2	
	VC113700	MOUNTING,LENS	2-C4	
	VC114000	HOLDER BRKT SY	2-D1	
	VC114100	ASSY,BUTTON RELEASE	2-A1	
	VC114600	ADHESIVE TAPE FRONT	1-A3	
	VC114800	ADHESIVE TAPE F	2-A2	
	VC114900	ADHESIVE TAPE G	1-B2	
	VC115500	SPACER MONITOR LIGHT	1-B2	
	VC115700	SPACER MON LIGHT,B	1-B3	
	VC115800	SPACER MON LIGHT,C	1-A2	
	VC126600	ADHESIVE TAPE H,B	2-B2	
	VC126800	SPACER	2-B4	
	VC129800	DENCHIBAN FLEX	2-B1	
	VC130100	ASSY,WIRE BATTERY&ST1	2-B2	
	VC130200	SPACER INSULATOR	2-C4	
	VC130300	FLEXIBLE PWB2,JOINT	1-A2	
	VC130900	SPACER CHASSIS	2-B3	
	VC131000	SHAFT JACK	1-D2	
	VC131300	ADHESIVE TAPE ZYUZI	1-A2	
	VC154000	SPACER SHEET	2-A3	
	VC168500	ADHESIVE TAPE FP1	1-A3	
	VC168800	EARTH EMC	2-B4	
	VC177700	DEC MONITOR	1-D1	NEW
	VC177800	ASSY,CABINET TOP	1-A1	NEW
	VC177900	COMPL,COVER BATTERY	1-D3	NEW
	VC178000	ADHESIVE TAPE MF	1-B2	NEW
	VC178100	SPACER SHIELD M,B	1-A2	NEW
	VC178300	COVER FRONT [C-3020ZOOM]	1-A3	NEW
	VC258000	SCR S-TPG PAN 2 X 6	2-D3	
	VC260300	SCR S-TPG PAN PCS 1.4 X 2	1-D3	
	VC264100	SCR S-TPG PAN PCS 1.7 X 6	2-B4	
	VC264500	SCR S-TPG PAN PCS 1.7 X 4.0	1-D2	
	VC264500	SCR S-TPG PAN PCS 1.7 X 4.0	2-A1	
	VC264600	SCR PAN 2 X 2.5	2-C3	
	VC264900	SCR S-TPG PAN PCS 1.4 X 2.5	2-A2	
	VC265000	SCR S-TPG PAN PCS 1.4 X 3.5	1-A1	
	VC265300	SCR S-TPG PAN PCS 1.7 X 4	1-A2	
	VC265300	SCR S-TPG PAN PCS 1.7 X 4	2-B2	
	VC265500	SPECIAL SCREW-1.4 X 2	1-B2	
	VC265900	SPECIAL SCREW-1.6 X 3.5	1-A2	
	VC266200	SCR S-TPG PAN PCS 1.4 X 3.5	2-C1	
	VC266300	SPECIAL SCREW-1.4 X 5	1-C1	
	VC266600	SCR S-TP PAN PCS 1.7 X 5.0	1-C4	
	VC746600	IC ICX252AK-B	2-B3	
	VC772500	IC ICX252AK-C	2-B3	
	VC861400	COMPL,REFLECTOR	2-A3	
	VC877800	FLEXIBLE PWB,CA1-CA2	2-D4	
	VC883600	LCD	1-C2	NEW
	VC884200	OPTICAL FILTER	2-B4	NEW
	VC958900	COMPL PWB,SY-1	2-D1	NEW
	VC959000	COMPL PWB,ST-1	2-C3	NEW

## PARTS LIST

C-3100ZOOM/C-3020ZOOM

REF NO	PARTS NO	DESCRIPTION	REMARKS	NOTE
	VC959100	COMPL PWB,CA-2	2-C2	NEW
	VC959200	COMPL PWB,CA-1	2-D3	NEW
	VC959300	ASSY,UNIT,FLEXIBLE PWB	2-C1	NEW
	VE081000	CAM PIN A	3-B3,C3	
	VE081200	CAM PIN C	3-B2,C2	
	VE081700	FPC PLATE	3-D1	
	VE081900	PR PLATE	3-D1	
	VE083800	CAM GEAR	3-C1	
	VE083900	CAM GEAR SHAFT	3-C1	
	VE083901	GEAR	2-B3	
	VE084000	SHAFT GEAR	2-B3	
	VE084700	HOLDER MODE	2-A2	
	VE085400	TERMINAL MD	2-A2	
	VE085500	BALL CLICK	2-A2	
	VE085600	SPRING M	2-A2	
	VE085900	SPRING Z	2-A2	
	VE086200	SPRING R	2-A1	
	VE087800	SHAFT CARD	1-B1	
	VE088500	BUTTON LM	1-C2	
	VE089200	L FRAME	3-B4	
	VE089300	BALL CLICK VF	1-C3	
	VE089900	STAND	1-C3	
	VE120900	G COVER TAPE L	3-A1	
	VE121000	G COVER	3-A1	
	VE121100	G COVER TAPE R	3-A1	
	VE121500	HOLDER LED	2-B4	
	VE124200	C HOLDER	3-B1	
	VE124600	SG SPONGE	3-B3	
	VE136900	Z GEAR	3-A1,D2	
	VE137000	Z GEAR SHAFT	3-A1	
	VE202200	BUTTON J	1-C1	
	VE202500	HOLDER BRKT JSW	1-A2	
	VE203100	SPACER BUTTON OK	1-B2	
	VE203300	GUIDE LEVER Z	2-A2	
	VE203400	GUIDE DIAL M	2-A2	
	VE208300	TERMINAL BATTERY	2-A3,B3	OLD
	VE208502	KNOB DIAL	2-A1	
	VE208700	TERMINAL Z	2-A2	
	VE208900	TERMINAL CB,A	1-D3	
	VE209000	TERMINAL CB,B	1-D3	
	VE209100	SLIDE LOCK	1-D4	
	VE209400	HOLDER BATTERY	1-C3	
	VE209500	HOLDER BATTERY A	2-A3	
	VE209600	HOLDER BATTERY B	2-A3	
	VE209800	MOUNTING STRAP,L	1-B1	
	VE209900	MOUNTING STRAP,R	1-C3	
	VE210000	MOUNTING STRAP	1-C4	
	VE210200	SPRING CLICK	1-C3	
	VE297300	TERMINAL BATTERY	2-A3,B3	NEW
	VE371700	CABINET FRONT	1-B3	NEW
	VE371900	COVER CARD	1-B1	NEW
	VE372000	COVER BATTERY	1-D4	NEW

## PARTS LIST

C-3100ZOOM/C-3020ZOOM

REF NO	PARTS NO	DESCRIPTION	REMARKS	NOTE
	VE372100	COVER BUTTON J	1-C1	NEW
	VE372300	COVER FRONT [C-3100ZOOM]	1-A3	NEW
	VE372400	DEC FRONT	1-A4	NEW
	VE372500	COVER JACK	1-D2	NEW
	VE372700	HOLDER MONITOR	1-C2	NEW
	VE372800	HOLDER CHASSIS	2-C3	
	VE375400	COVER MD	1-A1	NEW
	VE375500	LEVER Z	2-A2	NEW
	VE375600	BUTTON OK	1-B1	NEW
	VE376100	ADHESIVE TAPE	1-A3	NEW
	VE376300	DEC LENS	3-C4	NEW
	VJ130100	LENS BARREL#	3-D2	
	VJ130200	CAM FRAME#	3-A1	
	VJ130900	4G FRAME#-2	3-B2	
	VJ131200	CARRIER B#	3-D2	
	VJ131500	S FRAME#	3-A3	
	VJ140300	4Z FRAME#	3-C2	
	VJ140400	2Z FRAME#	3-D3	
	VJ140600	LENS,VF(ASSY)	2-C2	
	VJ286500	LENS(ASSY)	2-A4	NEW
	VJ286600	ASSY,CABI BACK	1-C2	NEW
	VJ286700	1Z FRAME#	3-C4	NEW
	WE126081	PUTB1.6X4SN	3-C1,D1	
	WE126202	PUTB1.4X3SB	3-B2	
	WE132065	3PUTB1.6X3SB	3-D1	
	WE307002	ER1.2UO	3-C2	
BZ311	VC856900	PZ BZR PKM13EPY-4002	PWB	
CN110	VC866800	PLUG,4P (USB) TO USB	CA2	
CN141	VC868900	SOCKET,CARD 24P (SMARTMEDIA) TO SMARTMEDIA	CA2	
IC101	VC742400	IC MB86836PMT2-G-BND CPU	CA2	
IC102		ASIC(BGA TYPE) NOT SUPPLY AS REPAIR PART	CA2	
IC103		SDRAM(BGA TYPE) NOT SUPPLY AS REPAIR PART	CA2	
IC106	VC746800	IC SN74LV273ADB	CA2	
IC107	VC746800	IC SN74LV273ADB	CA2	
IC111	VC775700	IC BU2381FV CLOCK-GENERATOR	CA2	
IC121	VC781600	IC 29801374A PROGRAM FLASH	CA2	NEW
IC145	VC780400	IC TK11131CS REGULATOR	CA2	
IC146	VC781800	IC MC74VHC1G02DF	CA2	NEW
IC171	VC777100	IC CM7101L1	CA2	
IC172	VC780300	IC TK11130CS REGULATOR	CA2	
IC301	VC781900	IC UPD78063GC-A54-8EU	SY1	NEW
IC302	VC727100	S-8423NFS BACKUP	SY1	
IC501	VC776000	IC BD9731KV	ST1	
IC502	VC734800	IC TC7S08FU	ST1	
IC901	VC745100	IC TC7W14FK SCHMITT TRIGGER INVERTER	CA1	
IC902	VC781700	IC 74ACTQ04MTC	CA1	NEW
IC904	VC740100	IC CXD3400N (V.DRIVER)	CA1	
IC905	VC746700	IC AD9842JST	CA1	
IC909	VC740300	IC TK11330BM REGULATOR	CA1	
IC951	VC746500	IC S-8520B33MC	CA2	
IC952	VC775900	IC LB1931T SHUTTER DRIVER	CA2	
IC953	VC776100	IC UPD168101MA-6A5 ZOOM AND FOCUS DRIVER	CA2	

## PARTS LIST

C-3100ZOOM/C-3020ZOOM

REF NO	PARTS NO	DESCRIPTION	REMARKS	NOTE
IC954	VC746100	IC LB1846M ZOOM DRIVER	CA2	
IC955	VC742200	IC TC7W66FK ANALOG SW	CA2	
JK501	VC884000	SOCKET,DC DC JACK	ST1	NEW
PR501	VC865800	FUSE 32V 2A	ST1	
PR502	VC775400	FUSE 32V 1.5A	ST1	
PR503	VC865900	FUSE 32V 1A	ST1	
PR504	VC865900	FUSE 32V 1A	ST1	
Q1301	VC625400	TR UMH2N	CA2	
Q1304	VC618200	TR DTC144EUA	CA2	
Q1304	VC609300	TR UN5213	CA2	
Q1305	VC620000	TR UMD3N	CA2	
Q1501	VC621400	TR 2SA1774 R	CA2	
Q1502	VC615800	TR UMZ1N	CA2	
Q1502	VC609800	TR XP4601	CA2	
Q1601	VC617500	TR DTC114EUA	CA2	
Q1601	VC621700	TR UN5211	CA2	
Q1602	VC609400	TR 2SA1745-7	CA2	
Q1602	VC609500	TR 2SA1745-6	CA2	
Q3001	VC622900	TR DTA114EUA	SY1	
Q3004	VC619500	TR DTC144EE	SY1	
Q3005	VC622800	TR DTA144EE	SY1	
Q3008	VC619500	TR DTC144EE	SY1	
Q3009	VC622500	TR DTC123EUA	SY1	
Q3031	VC607900	TR 2SD1819A-R	SY1	
Q3031	VC603200	TR 2SC4081-R	SY1	
Q5001	VC619600	TR 2SA2013	ST1	
Q5002	VC618400	TR 2SA1576A-R	ST1	
Q5003	VC618600	TR 2SC4617 R	ST1	
Q5004	VC616800	TR UMD2N	ST1	
Q5005	VC622000	TR 2SA2018	ST1	
Q5006	VC616700	TR UMH11N	ST1	
Q5007	VC619700	TR CPH5701-TL SW	ST1	
Q5008	VC619300	TR CPH3109	ST1	
Q5010	VC618900	TR DTA114YE	ST1	
Q5011	VC618600	TR 2SC4617 R	ST1	
Q5013	VC625500	TR CPH5703	ST1	
Q5014	VC622000	TR 2SA2018	ST1	
Q5015	VC618700	TR DTC114EE	ST1	
Q5016	VC615900	TR UMY1N	ST1	
Q5017	VC619800	TR FTS2005-TL	ST1	
Q5018	VC619700	TR CPH5701-TL SW	ST1	
Q5020	VC621800	TR UMX1N	ST1	
Q5021	VC618400	TR 2SA1576A-R	ST1	
Q5022	VC618700	TR DTC114EE	ST1	
Q5023	VC627000	TR CPH6311	ST1	NEW
Q5024	VC625900	TR 3LN01S-TL	ST1	
Q5025	VC618600	TR 2SC4617 R	ST1	
Q5401	VC618800	TR DTC123JE	ST1	
Q5402	VC618700	TR DTC114EE	ST1	
Q5405	VC619200	TR CPH3205	ST1	
Q5406	VC619300	TR CPH3109	ST1	
Q5407	VC618600	TR 2SC4617 R	ST1	

## PARTS LIST

C-3100ZOOM/C-3020ZOOM

REF NO	PARTS NO	DESCRIPTION	REMARKS	NOTE
Q5409	VC622100	TR CY25AAJ-8	ST1	
Q9001	VC607900	TR 2SD1819A-R	CA1	
Q9001	VC603200	TR 2SC4081-R	CA1	
Q9002	VC620700	TR 2SC3931-D	CA1	
Q9003	VC607900	TR 2SD1819A-R	CA1	
Q9003	VC603200	TR 2SC4081-R	CA1	
Q9005	VC607800	TR 2SB1218A-R	CA1	
Q9501	VC618200	TR DTC144EUA	CA2	
Q9501	VC609300	TR UN5213	CA2	
Q9505	VC619300	TR CPH3109	CA2	
Q9506	VC622200	TR DTC115EUA	CA2	
Q9506	VC614300	TR DTC115EU	CA2	
Q9509	VC621000	TR UMH10N	CA2	
Q9510	VC621000	TR UMH10N	CA2	
Q9512	VC618200	TR DTC144EUA	CA2	
Q9512	VC609300	TR UN5213	CA2	
Q9513	VC614700	TR 2SC4399-4	CA2	
Q9513	VC602900	TR 2SC4399-5	CA2	
Q9514	VC622200	TR DTC115EUA	CA2	
Q9514	VC614300	TR DTC115EU	CA2	
S3001	VC861500	SWITCH,PUSH	SY1	
S3002	VC861500	SWITCH,PUSH	SY1	
S3003	VC861500	SWITCH,PUSH	SY1	
S3004	VC863300	SWITCH,PUSH 1P-1TX1	SY1	
S3011	VC866100	SWITCH,PUSH 1P-2TX1 SHUTTER	PWB	
T5001	VC883800	TRANS,POWER,PULSE	ST1	NEW
T5002	VC883900	TRANS,POWER,PULSE	ST1	NEW
T5003	VC862400	TRANS,POWER,PULSE	ST1	
T5401	VC877200	TRANS,STEP UP	ST1	
T5402	VC861700	TRANS,STEP UP	ST1	
X1101	VC857600	OSC,CRYSTAL 14.31818MHZ RIVER	CA2	
X1101	VC864500	OSC,CRYSTAL 14.31818MHZ RIVER	CA2	
X1701	VC861600	OSC,CRYSTAL 3.579545MHZ RIVER	CA2	
X3001	VC876800	OSC,CERAMIC 4.00MHZ	SY1	
X3002	VC883500	OSC,CRYSTAL 32.768KHZ	SY1	NEW
Y1001	VC126400	SHIELD TAPE	CA2	
Y1103	VC126500	SPACER CA2-B,SIDE-B	CA2	
	VC130500	SHIELD TAPE	CA1	
	VC126200	SPACER SHEET ST-1 C5412	ST1	
	VE3775	SERIAL NUMBER SEAL FOR OJ (Made in Japan)		
	VE3913	SERIAL NUMBER SEAL FOR OJ (Made in Korea)		
	VE3919	SERIAL NUMBER SEAL FOR OJ (Made in Indonesia)		
	VE3777	SERIAL NUMBER SEAL FOR OE (Made in Japan)		
	VE3915	SERIAL NUMBER SEAL FOR OE(Made in Korea)		
	VE3921	SERIAL NUMBER SEAL FOR OE(Made in Indonesia)		
	VE3776	SERIAL NUMBER SEAL FOR OAI (Made in Japan)		
	VE3914	SERIAL NUMBER SEAL FOR OAI (Made in Korea)		
	VE3920	SERIAL NUMBER SEAL FOR OAI(Made in Indonesia)		