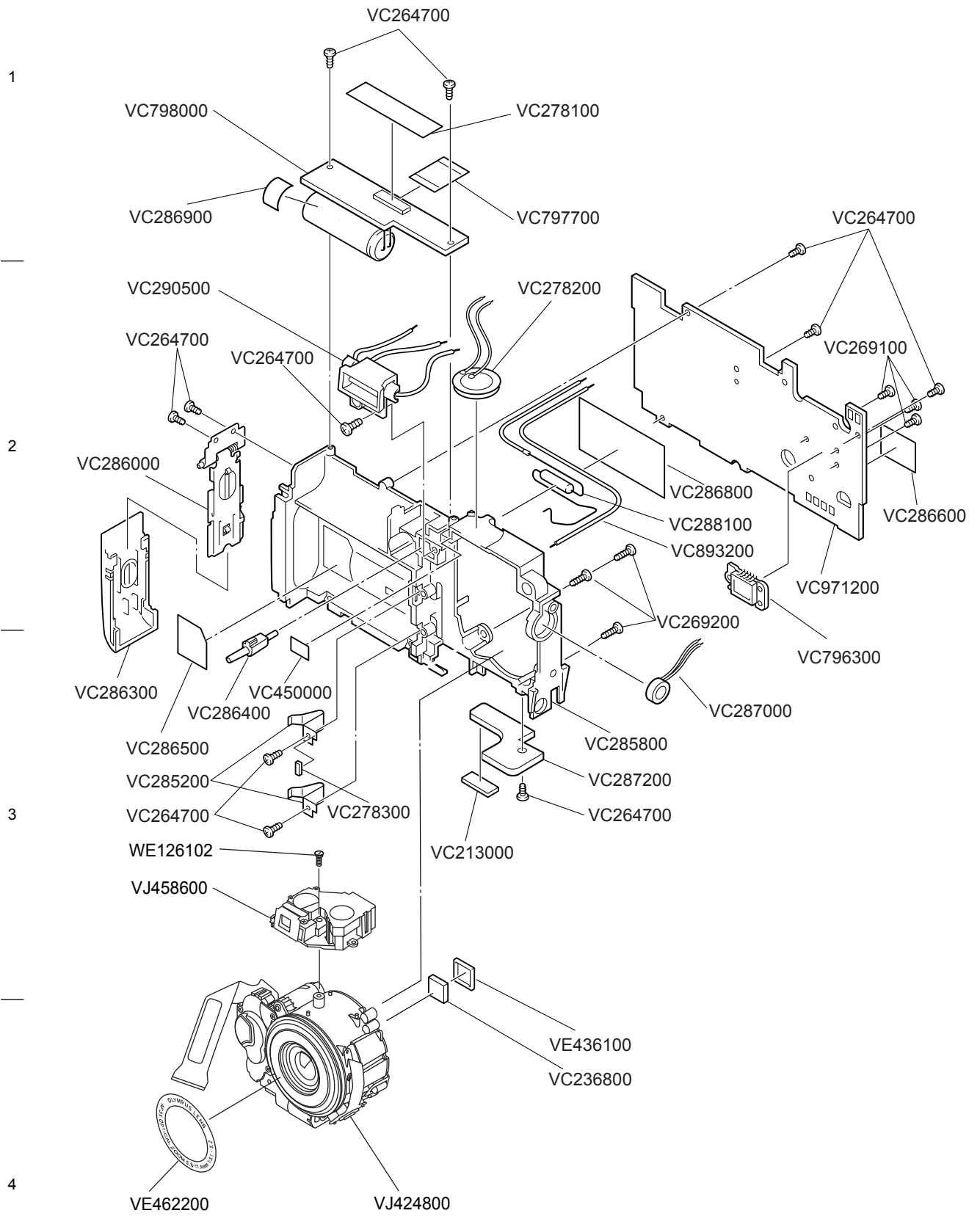


EXPLODED PARTS DIAGRAM

MODEL	FIG.
X-350/D-575Z/C-360Z	1/3
OLYMPUS CORPORATION	

Ver.1
2004.02

A | B | C | D

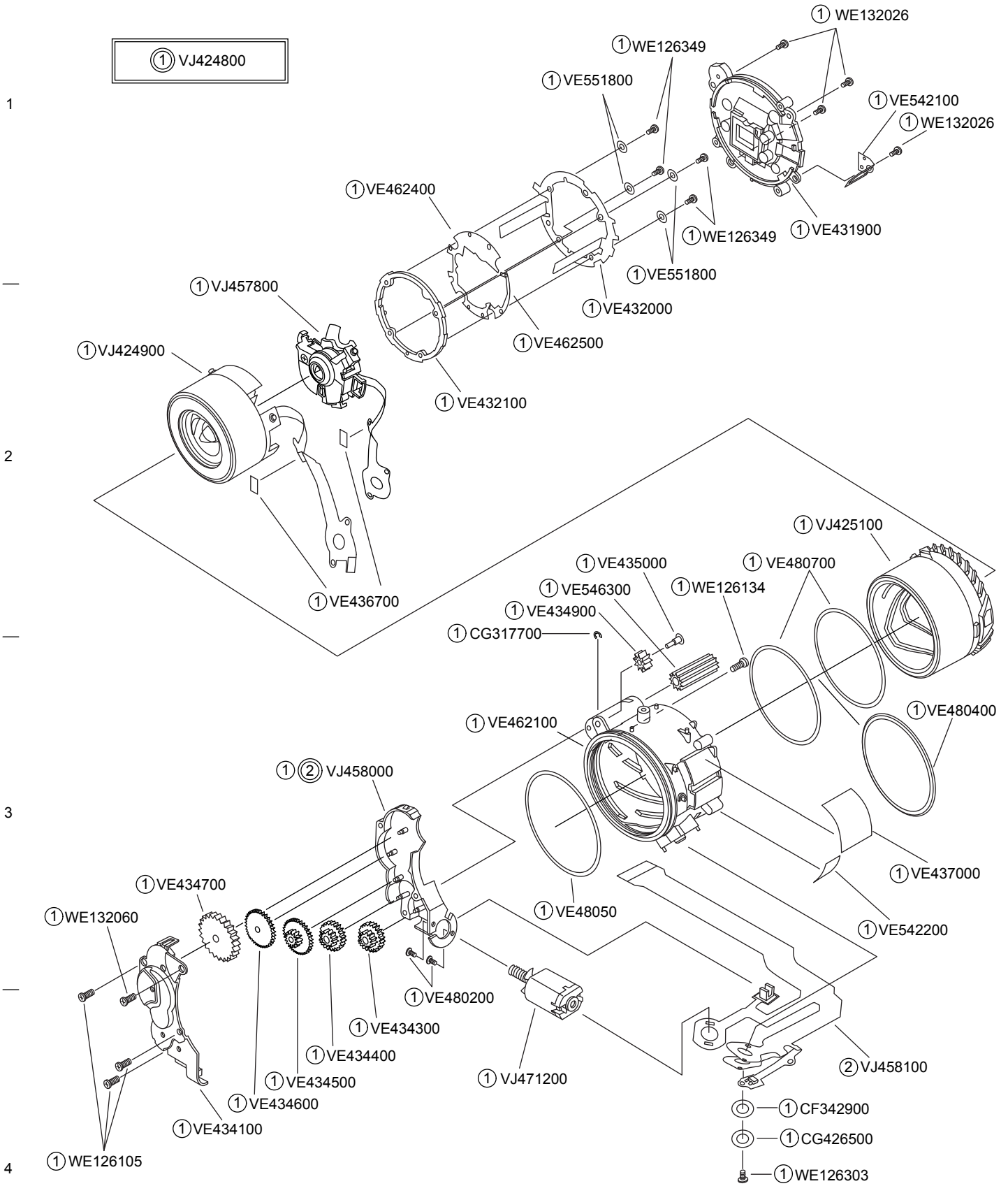


EXPLODED PARTS DIAGRAM

MODEL	FIG.
X-350/D-575Z/C-360Z	2/3
OLYMPUS CORPORATION	

Ver.1
2004.02

A | B | C | D



EXPLODED PARTS DIAGRAM

MODEL	FIG.
X350/ D-575ZOOM / C-360ZOOM	3/3
OLYMPUS CORPORATION	

Ver.1
2004.02

PARTS LIST

X-350 / D-575ZOOM / C-360ZOOM

REF NO	PARTS NO	DESCRIPTION	REMARKS	NOTE
	CF342900	ConnectRubber	3-D4	
	CG317700	3GStoper	3-C3	
	CG426500	ConnectPlate	3-D4	
	VC103800	BALL,CLICK-SR25	1-B3	
	VC209100	SPACER L-LCD	1-D2	
	VC209200	ASSY,WIRE LCD-BL	1-D2	
	VC209300	SPACER LCD	1-C2	
	VC209400	ADHESIVE MONITOR A	1-C2	
	VC209900	BUTTON ZOOM	1-D2	
	VC210600	HOLDER CLICK	1-C3	
	VC211300	ADHESIVE DEC LENS	1-A4	
	VC212600	SPRING SHUTTER	1-C2	
	VC213000	SPACER LENS FPC	2-B3	
	VC213500	LABEL CARD [X-350,D-575Z(J),C-360(J)]	1-C1	
	VC213900	SHAFT CARD	1-A1	
	VC214300	LABEL CARD [D-575Z(U),C-360Z(E),(G),(K),(C)]	1-C1	
	VC214400	STAND	1-B2	
	VC214700	SHAFT STRAP	1-C3	
	VC236800	OPTICAL FILTER	2-C4	
	VC264700	SCR S-TPG PAN PCS 1.7X3.5	2-A3,C3,etc	
	VC265300	SCR S-TPG PAN PCS 1.7X4	1-A2,B1,etc	
	VC266500	SCR S-TPG PAN PCS 1.7X3	1-D4	
	VC266600	SCR S-TP PAN PCS 1.7X5.0	1-B2,C2	
	VC269100	SCR S-TPG PAN PCS 1.6X3.5	2-D2	
	VC269200	SCR S-TPG PAN PCS 1.6X5	2-C3	
	VC270600	SPECIAL SCREW-1.7X2.5	1-C3	
	VC275300	SCR S-TPG PAN PCS 2X4	1-D4	
	VC278100	ADHESIVE ST-1 B	2-C1	NEW
	VC278200	PIEZO BUZZER	2-C2	NEW
	VC278300	SPACER BATTERY A	2-B3	NEW
	VC278400	SPACER LCD LIGHT	1-C2	NEW
	VC278500	DEC WINDOW [D-575Z(U),(J)]	1-A4	NEW
	VC278600	COMPL CABINET FRONT [C-360Z(E),(G),(K),(C),(J)]	1-A3	NEW
	VC278700	COMPL CABINET FRONT [X-350]	1-A3	NEW
	VC278800	DEC LENS [C-360Z(E),(G),(K),(C),D-360Z(J)]	1-A4	NEW
	VC278900	DEC LENS [D-575(U),(J)]	1-A4	NEW
	VC279000	DEC LENS [X-350]	1-A4	NEW
	VC279100	DEC WINDOW [X-350,C-360Z(E),(G),(K),(C),(J)]	1-A4	NEW
	VC283200	SPACER CAB FRONT	1-C2,C3	
	VC283400	COVER CARD	1-A1	
	VC283500	HOLDER SHAFT	1-A1	
	VC283600	ADHESIVE VF	1-B2	
	VC283700	REFLECTOR VF	1-B2	
	VC283800	SPACER MONITOR	1-B2	
	VC284100	BUTTON MODE	1-A1	
	VC284200	SHIELD BUTTON	1-A2	
	VC284300	FLEXIBLE FLAT CABLE	1-A2	
	VC284500	COMPL CABINET BACK [D-575Z(U),C-360Z(E),(G),(K),(C)]	1-B1	
	VC284600	COMPL CABINET BACK [X-350,D-575Z(J),C-360Z(J)]	1-B1	
	VC284700	HOLDER MONITOR	1-C2	
	VC284800	SPACER HL LCD	1-C3	
	VC285000	COVER DC	1-A1	
	VC285200	TERMINAL BATTERY	2-A3	

PARTS LIST

X-350 / D-575ZOOM / C-360ZOOM

REF NO	PARTS NO	DESCRIPTION	REMARKS	NOTE
	VC285800	HOLDER CHASSIS	2-C3	
	VC286000	ASSY,TERMINAL PLATE	2-A2	
	VC286300	COVER BATTERY	2-A3	
	VC286400	REFLECTOR SELF	2-A3	
	VC286500	LABEL BATTERY	2-A3	
	VC286600	ADHESIVE CP-1 A	2-D2	
	VC286800	SPACER FUSE	2-C2	
	VC286900	SPACER MAIN CON	2-A1	
	VC287000	MICROPHONE	2-C3	
	VC287200	COMPL PWB,TB-2	2-C3	
	VC287700	CABINET FRONT	1-C3	
	VC287800	COMPL PWB,TB-1	1-A2	
	VC288000	CABINET BACK	1-C1	
	VC288100	ASSY,WIRE BAT +	2-C2	
	VC288300	ADHESIVE CV WIND	1-A3	
	VC289800	BUTTON SHUTTER	1-D2	
	VC290000	COVER JACK	1-D4	
	VC290100	DEC VF	1-C1	
	VC290200	DEC WINDOW FLASH	1-A3	
	VC290500	COMPL,REFLECTOR	2-A2	
	VC290700	SPRING COMP 650	1-B3	
	VC291400	KNOB ZOOM	1-C3	
	VC291900	ASSY,WIRE POWERSW&CP1	1-C3	
	VC292200	COVER FRONT	1-B3	
	VC292300	LEVER PROTECT	1-B4	
	VC292500	COVER LENS	1-B4	
	VC292600	ADHESIVE D-LNS2 A	1-B4	
	VC292700	ADHESIVE D-LNS2 B	1-A4	
	VC292800	DEC LENS 2 [X-350]	1-A4	
	VC292900	DEC LENS 2 [D-575Z(U),(J),C-360Z(E),(G),(K),(C),	1-A4	
	VC293000	ARM PROTECT	1-C4	
	VC449900	COMPL CABINET FRONT-[D-575Z(U),(J)]	1-A3	NEW
	VC450000	SPACER VF LIGHT	2-B3	NEW
	VC796300	CCD #	2-D3	NEW
S6006	VC796500	SWITCH,PUSH	TB-1	
F5005	VC796600	FUSE 32V 1A	CP-1	
F5001	VC796700	FUSE 32V 2A	CP-1	
F5002	VC796700	FUSE 32V 2A	CP-1	
F5003	VC796700	FUSE 32V 2A	CP-1	
F5004	VC796700	FUSE 32V 2A	CP-1	
	VC797600	LCD	1-D1	
	VC797700	FLEXIBLE PWB CP1&ST1	2-C1	
	VC798000	COMPL PWB,ST-1	2-A1	
	VC860400	SWITCH,LEAF 1P-1T	1-C4	
JK651	VC866000	AV JACK,PHONE D3.6	TB-1	
S5301	VC866100	SWITCH,PUSH 1P-2TX1	ST-1	
JK501	VC866700	SOCKET,DC	CP-1	
S6001	VC876500	SWITCH,PUSH	TB-1	
S6002	VC876500	SWITCH,PUSH	TB-1	
S6003	VC876500	SWITCH,PUSH	TB-1	
S6004	VC876500	SWITCH,PUSH	TB-1	
S6005	VC876500	SWITCH,PUSH	TB-1	
CN110	VC885400	SOCKET,USB 5P	CP-1	

PARTS LIST

X-350 / D-575ZOOM / C-360ZOOM

REF NO	PARTS NO	DESCRIPTION	REMARKS	NOTE
S3004	VC892600	SWITCH,DETECTOR 1P-1T	CP-1	
	VC893200	ASSY,WIRE BATTERY -	2-C2	
	VC971200	COMPL PWB,CP-1	2-D2	NEW
	VE431900	Cholder	3-D1	
	VE432000	FloatKey	3-C2	
	VE432100	FloatKeyGuide	3-B2	
	VE434100	GearCover	3-A4	
	VE434300	106ZWheel	3-B4	
	VE434400	106ZGear1	3-B4	
	VE434500	106ZGear2	3-B4	
	VE434600	106ZGear3	3-B4	
	VE434700	106ZIdle	3-A3	
	VE434900	106FIdle	3-C3	
	VE435000	FIdleShaft	3-C2	
	VE436100	SPACER VE4361	2-C4	
	VE436700	LD-FPCTape1	3-B2	
	VE437000	FPCTape	3-D3	
	VE462100	BaseFrame	3-C3	
	VE462200	1ZCoverRing	2-A4	
	VE462400	FloatAperture1	3-B1	
	VE462500	FloatAperture2	3-C2	
	VE480200	U1.4X1.6NR	3-B4	
	VE480400	1ZLightProof	3-D3	
	VE480500	CamSheet	3-C3	
	VE480700	1ZSheet	3-D2	
	VE542100	PRHolder	3-D1	
	VE542200	PR-Tape	3-D3	
	VE546300	LongGear	3-C2	
	VE551800	FloatAperture3	3-C1,C2	
	VJ424800	LENS	2-B4	
	VJ424900	1ZFrame-ASSY	3-A2	
	VJ425100	CamBarrel-ASSY	3-D2	
	VJ457800	2ZFrame-ASSY	3-A2	
	VJ458000	GearCase-ASSY	3-B3	
	VJ458100	106Z-FPCA	3-D4	
	VJ458600	FINDER	2-A3	
	VJ471200	Zmortor-ASSY	3-C4	
	VT472100	Rated Label Gk2 (for C360Z made in KOREA,Sticker)		NEW
	VT472600	Rated Label Gi2(for C360Z made in INDONESIA,Sticker)		NEW
	VT739700	Rated Label J (for X350 made in JAPAN)		NEW
	VT739800	Rated Label U(for D575Z JO/UO/EXO/KRO made in JAPAN)		NEW
	VT739900	Rated Label EG(for C360Z JO/EXO/GXO/KRO made in JAPAN)		NEW
	VT740000	Rated Label Jk(for X350 made in KOREA)		NEW
	VT740100	Rated Label Uk(for D575Z JO/UO/EXO/KRO madein KOREA)		NEW
	VT740200	Rated Label Ek(for C360Z made in KOREA)		NEW
	VT740300	Rated Label Gk1(for C360Z)		NEW
	VT740400	Rated Label Ji(for X350 made in INDONESIA)		NEW
	VT740500	Rated Label Ui (for D575Z JO/UO/EXO/KRO)		NEW
	VT740600	Rated Label Ei (for C360Z JO/EXO/KRO made in INDONESIA)		NEW
	VT740800	Rated Label CC(for C360Z)		NEW
	WE126102	PUTB1.6x3.5SN	2-A3	
	WE126105	PUTB1.6x4SB	3-A4	
	WE126134	PUTB1.6x4.5SB	3-C2	

PARTS LIST

X-350 / D-575ZOOM / C-360ZOOM

REF NO	PARTS NO	DESCRIPTION	REMARKS	NOTE
	WE126303	PUTB1.6x630SN	3-D4	
	WE126349	PUTB1.4x2.2SB	3-C1	
	WE132026	3PUTB1.6x4SN	3-D1	