

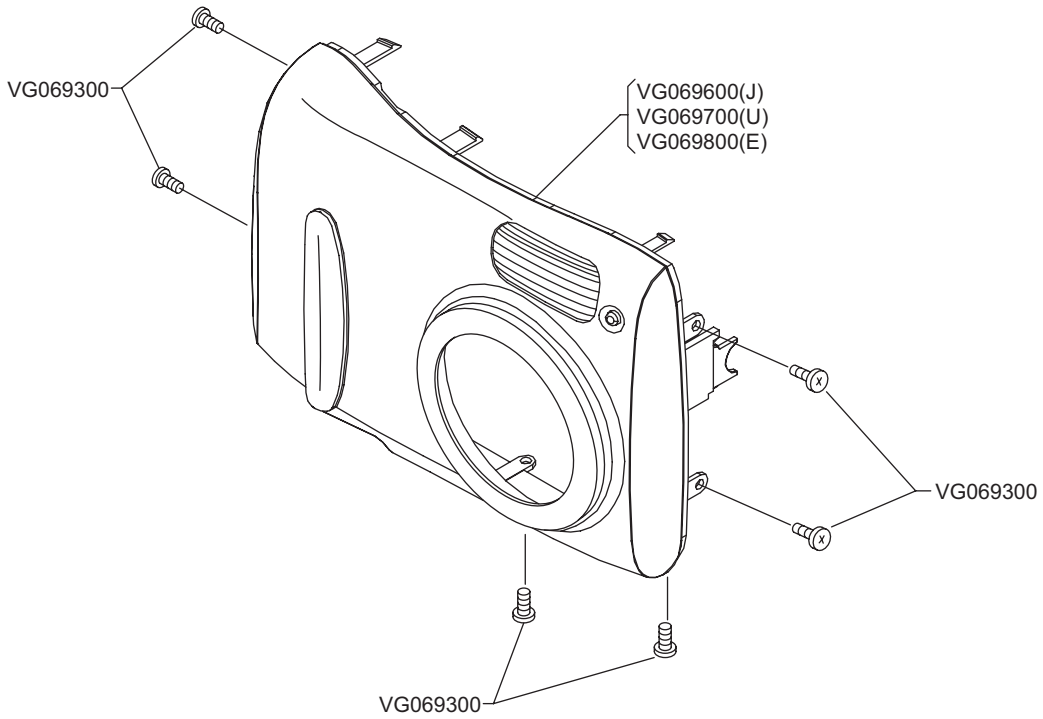
A

B

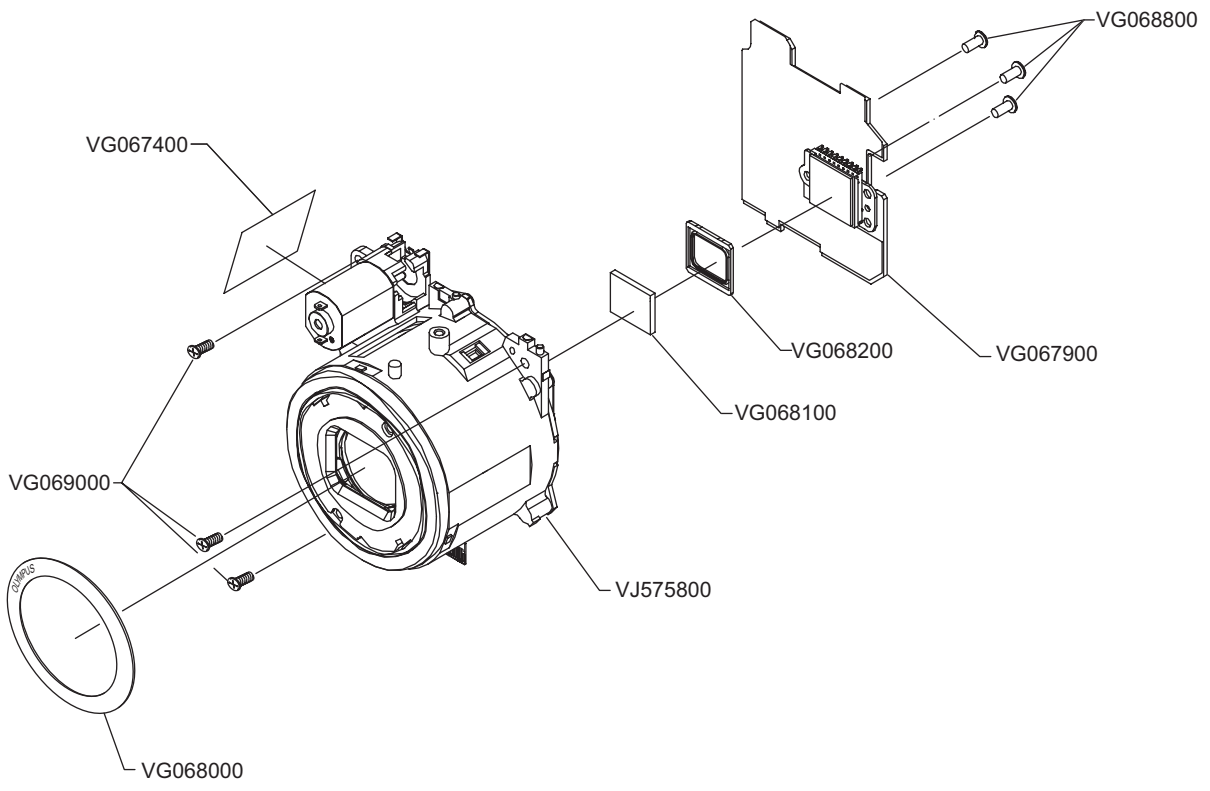
C

D

1



2



3

4

EXPLODED PARTS DIAGRAM

MODEL	FIG.
X-450 / C-370ZOOM / D-535ZOOM	1/4
<b>OLYMPUS IMAGING CORP.</b>	

2004.10  
Ver.1

A

B

C

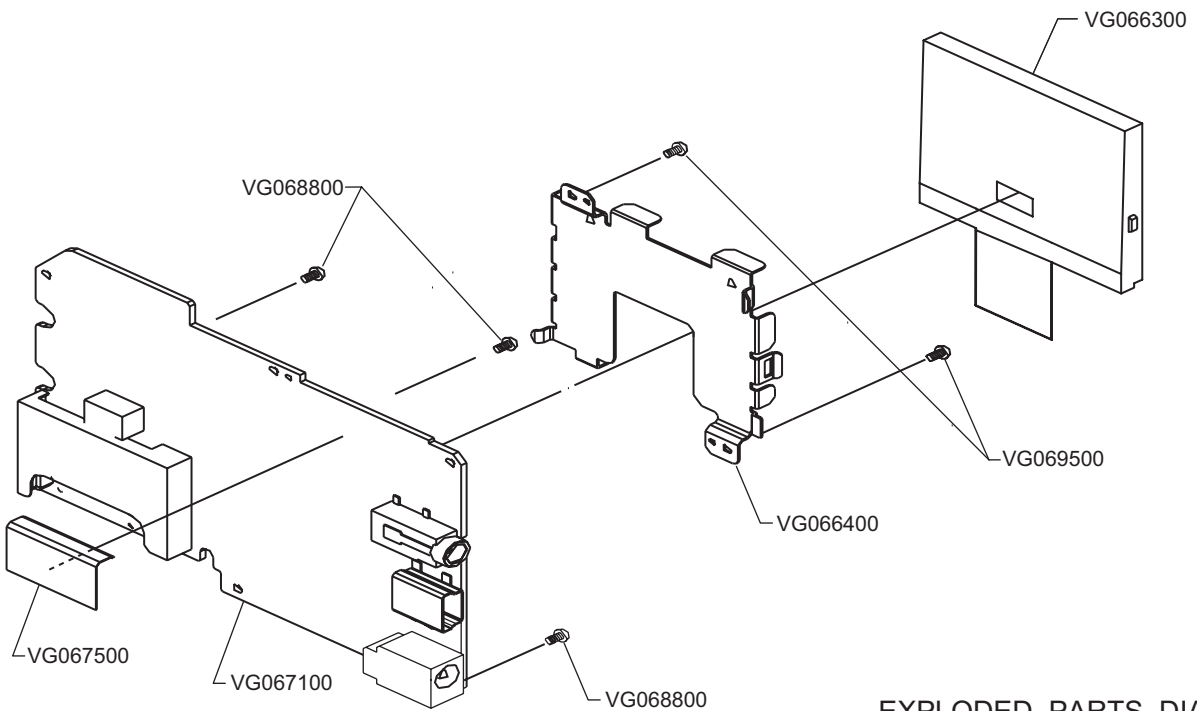
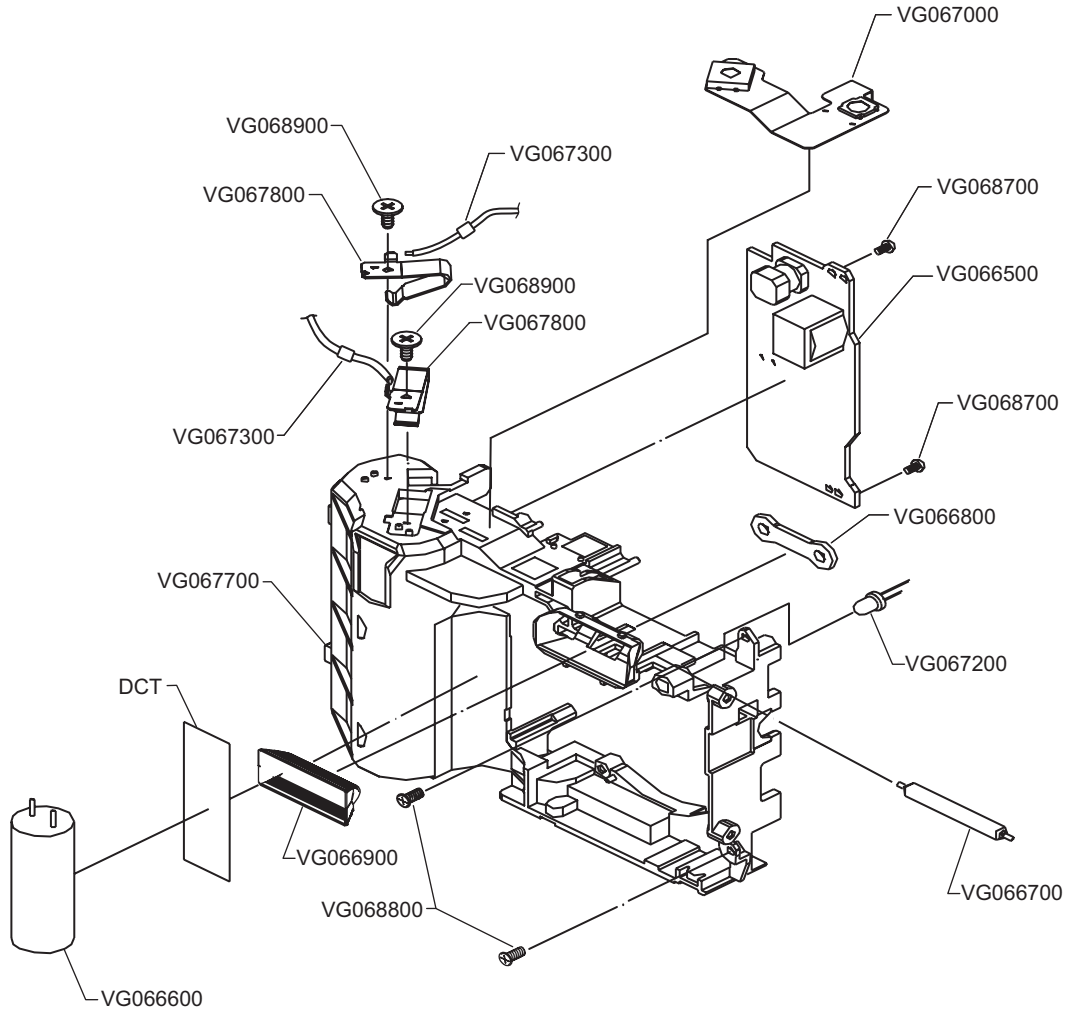
D

1

2

3

4



EXPLODED PARTS DIAGRAM

MODEL	FIG.
X-450 / C-370ZOOM / D-535ZOOM	2/4
<b>OLYMPUS IMAGING CORP.</b>	

2004.10  
Ver.1

A

B

C

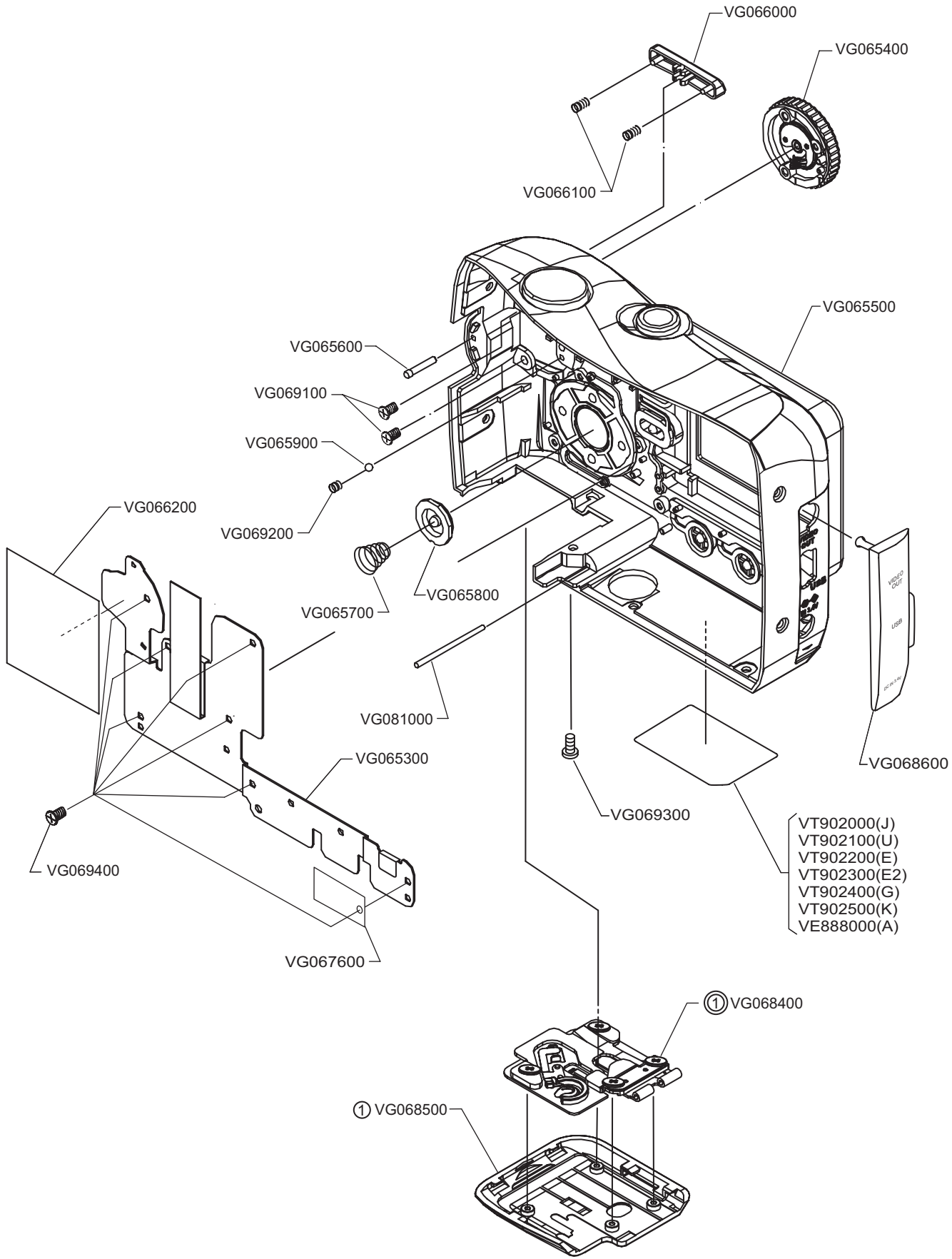
D

1

2

3

4



EXPLODED PARTS DIAGRAM

MODEL	FIG.
X-450 / C-370ZOOM / D-535ZOOM	3/4
<b>OLYMPUS IMAGING CORP.</b>	

Ver.1  
2004.10

A

B

C

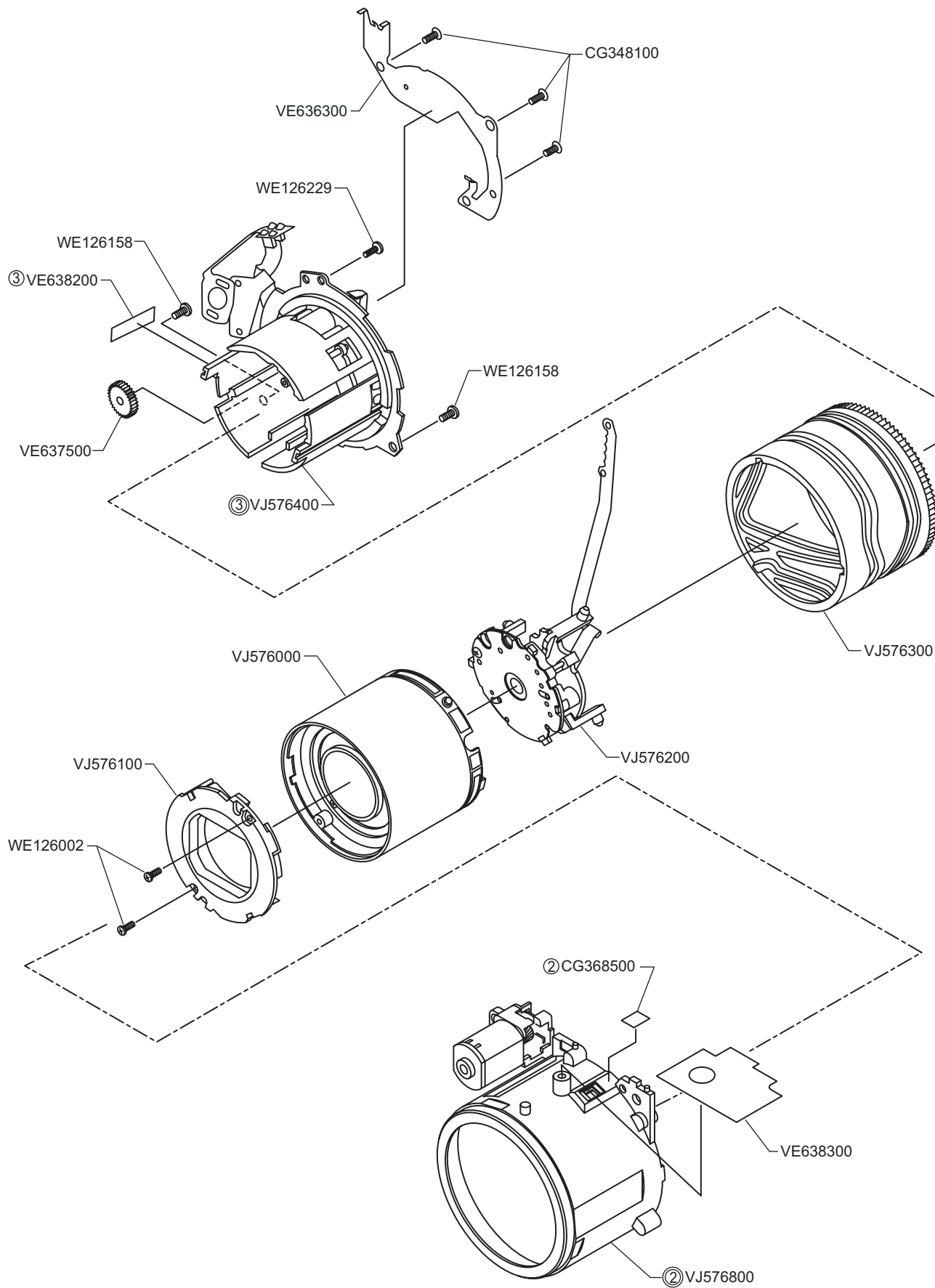
D

1

2

3

4



EXPLODED PARTS DIAGRAM

MODEL	FIG.
X-450 / C-370ZOOM / D-535ZOOM	4/4
<b>OLYMPUS IMAGING CORP.</b>	

Ver.1  
2004.10

REF NO	PARTS NO	DESCRIPTION	REMARKS	NOTE
	VE888000	Bno Seal A	3-D3	NEW
	VG065300	Rear FPC unit	3-B3	NEW
	VG065400	Mode Dial Unit	3-D1	NEW
	VG065500	Rear Cover Unit	3-D2	NEW
	VG065600	Strap Pin	3-B2	NEW
	VG065700	Spring	3-B2	NEW
	VG065800	OK Button	3-B2	NEW
	VG065900	Ball	3-B2	NEW
	VG066000	TW Button	3-C1	NEW
	VG066100	TW Spring	3-C1	NEW
	VG066200	Isolate Tape	3-A2	NEW
	VG066300	LCD	2-D3	NEW
	VG066400	LCD Bracket	2-C4	NEW
	VG066500	Flash PCB	2-D1	NEW
	VG066600	Main Capacitor	2-B3	NEW
	VG066700	Flash tube	2-D2	NEW
	VG066800	Tube Rubber	2-D2	NEW
	VG066900	Reflector	2-B2	NEW
	VG067000	Top FPC	2-D1	NEW
	VG067100	Main PCB	2-B4	NEW
	VG067200	LED	2-D2	NEW
	VG067300	Lead core	2-C1,B2	NEW
	VG067400	Isolate Tape	1-A3	NEW
	VG067500	CCD FPC	2-A4	NEW
	VG067600	EMC Tape	3-B3	NEW
	VG067700	Body Unit	2-B2	NEW
	VG067800	Battery Contact	2-B1,C1	NEW
	VG067900	CCD Unit	1-D3	NEW
	VG068000	1Z Ring	1-A4	NEW
	VG068100	LPF	1-C3	NEW
	VG068200	CCD Rubber	1-C3	NEW
	VG068400	Battery Cover Unit	3-C3	NEW
	VG068500	Battery Cover	3-B4	NEW
	VG068600	Jack Cover	3-D3	NEW
	VG068700	Screw	2-D1,D2	NEW
	VG068800	Screw	1-D3,2-B2	NEW
	VG068900	Screw	2-B1,C1	NEW
	VG069000	Screw	1-A3	NEW
	VG069100	Screw	3-B2	NEW
	VG069200	Spring	3-B2	NEW
	VG069300	Screw	1-A1,B2,D2	NEW
	VG069400	Screw	3-A3	NEW
	VG069500	Screw	2-D4	NEW
	VG069600	Front Cover J	1-C1	NEW
	VG069700	Front Cover U	1-C1	NEW
	VG069800	Front Cover E	1-C1	NEW
	VG081000	Battery Cover shaft	3-B3	NEW

REF NO	PARTS NO	DESCRIPTION	REMARKS	NOTE
	VJ575800	Lens Unit	1-C4	
	VT902000	Bno Seal J	3-D3	NEW
	VT902100	Bno Seal U	3-D3	NEW
	VT902200	Bno Seal E	3-D3	NEW
	VT902300	Bno Seal E2	3-D3	NEW
	VT902400	Bno Seal G	3-D3	NEW
	VT902500	Bno Seal K	3-D3	NEW