

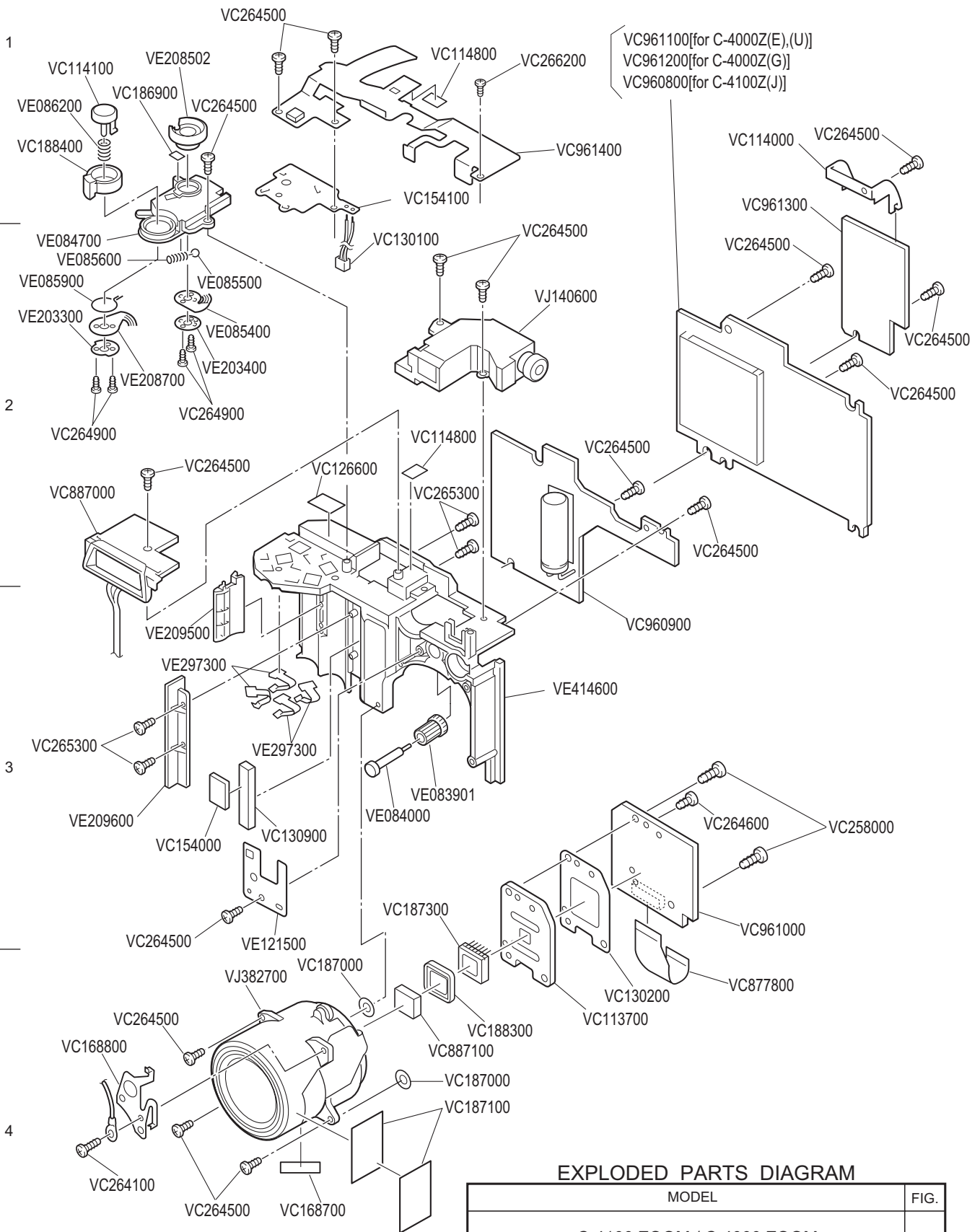
EXPLODED PARTS DIAGRAM

MODEL	FIG.
C-4100 ZOOM / C-4000 ZOOM	1/2
OLYMPUS OPTICAL CO.,LTD.TOKYO,JAPAN	

Ver.1/Rev.3  
2002.07

Cabinet 2

A | B | C | D



EXPLODED PARTS DIAGRAM

MODEL	FIG.
C-4100 ZOOM / C-4000 ZOOM	2/2
OLYMPUS OPTICAL CO.,LTD.TOKYO,JAPAN	

Ver.1/Rev.4  
2002.12

## PARTS LIST

C-4100ZOOM/C-4000ZOOM

REF NO	PARTS NO	DESCRIPTION	REMARKS	NOTE
	VC114600	ADHESIVE TAPE FRONT	1-A3	
	VC114700	ADHESIVE TAPE,D	1-D1	
	VC114900	ADHESIVE TAPE G	1-B2	
	VC115500	SPACER MONITOR LIGHT	1-A2	
	VC115700	SPACER MON LIGHT,B	1-B3	
	VC115800	SPACER MON LIGHT,C	1-A2	
	VC126700	SPACER SHIELD M,B	1-A2	
	VC131000	SHAFT JACK	1-D2	
	VC131300	ADHESIVE TAPE ZYUZI	1-A2	
	VC168500	ADHESIVE TAPE FP1	1-A3	
	VC187400	SPACER SYNCHRO STROBE	1-C4	NEW
	VC187500	SHILED TAPE	1-C4	NEW
	VC187600	CORE,BEAD	1-C4	NEW
	VC187700	ASSY,CABINET TOP	1-A1	NEW
	VC187800	COMPL,COVER BATTERY	1-D3	NEW
	VC187900	COVER FRONT EUG	1-A3	NEW
	VC188500	COVER CARD	1-A1	NEW
	VC188600	COVER MD	1-A1	NEW
	VC188700	COVER JACK	1-D2	NEW
	VC188900	DEC FRONT	1-A4	NEW
	VC189000	COVER FRONT J	1-A3	NEW
	VC189100	COVER BATTERY	1-D4	NEW
	VC189200	COVER BUTTON	1-C1	NEW
	VC260300	SCR S-TPG PAN PCS 1.4X2	1-D3	
	VC264500	SCR S-TPG PAN PCS 1.7X4.0	1-C1	
	VC265000	SCR S-TPG PAN PCS 1.4X3.5	1-A1	
	VC265300	SCR S-TPG PAN PCS 1.7X4	1-A1	
	VC265500	SPECIAL SCREW-1.4x2	1-B2	
	VC265900	SPECIAL SCREW-1.6X3.5	1-A2	
	VC266300	SPECIAL SCREW-1.4X5	1-C1	
	VC266600	SCR S-TP PAN PCS 1.7X5.0	1-B4	
	VC886800	LCD	1-C2	NEW
	VC960700	FLEXIBLE PWB2,JOINT	1-A2	NEW
	VE087400	DEC MONITOR	1-D1	
	VE087800	SHAFT CARD	1-A1	
	VE088500	BUTTON LM	1-C2	
	VE089300	BALL CLICK VF	1-B1	
	VE089900	STAND	1-C3	
	VE202200	J BUTTON	1-C1	
	VE202500	HOLDER BRKT JSW	1-A2	
	VE203100	SPACER BUTTON OK	1-B2	
	VE208900	TERMINAL CB,A	1-D3	
	VE209000	TERMINAL CB,B	1-D3	
	VE209100	SLIDE LOCK	1-D4	
	VE209400	HOLDER BATTERY	1-C3	
	VE209800	MOUNTING STRAP,L	1-B1	
	VE209900	MOUNTING STRAP,R	1-C3	
	VE210000	MOUNTING STRAP	1-B1	
	VE210200	SPRING CLICK	1-B1	
	VE210300	HOLDER BTKT STCN	1-C3	
	VE210400	CAP STROBO	1-C4	
	VE297200	HOLDER MONITOR	1-C2	
	VE375600	BUTTON OK	1-B1	

## PARTS LIST

C-4100ZOOM/C-4000ZOOM

REF NO	PARTS NO	DESCRIPTION	REMARKS	NOTE
	VE376100	ADHESIVE TAPE FP	1-A3	
	VE414200	CABINET FRONT	1-B3	NEW
	VJ276300	SOKET , SYNCHRO	1-C4	
	VJ382600	ASSY,CABI BACK,B	1-C2	NEW
	VC113700	MOUNTING,LENS	2-C4	
	VC114000	HOLDER BRKT SY	2-D1	
	VC114100	ASSY,BUTTON RELEASE	2-A1	
	VC114800	ADHESIVE TAPE F	2-B1	
	VC126600	ADHESIVE TAPE H,B	2-B2	
	VC130100	ASSY,WIRE BATTERY&ST1	2-B2	
	VC130200	SPACER INSULATOR	2-C4	
	VC130900	SPACER CHASSIS	2-B3	
	VC154000	SPACER SHEET	2-A3	
	VC154100	DENCHIBAN FLEX	2-B1	
	VC168700	SPACER LENS	2-B4	
	VC168800	EARTH EMC	2-A4	
	VC186900	SPACER MODE	2-A1	NEW
	VC187000	SPACER LENS	2-B4	NEW
	VC187100	SHILED TAPE	2-B4	NEW
	VC187300	IC ICX411AQ-C	2-B3	NEW
	VC188300	SPACER	2-B4	NEW
	VC188400	LEVER Z	2-A1	NEW
	VC258000	SCR S-TPG PAN 2X6	2-D3	
	VC264100	SCR S-TPG PAN PCS 1.7X6	2-A4	
	VC264600	SCR PAN 2X2.5	2-C3	
	VC264900	SCR S-TPG PAN PCS 1.4X2.5	2-A2	
	VC266200	SCR S-TPG PAN PCS 1.4X3.5	2-C1	
	VC877800	FLEXIBLE PWB,CA1-CA2	2-D4	
	VC887000	COMPL,REFLECTOR	2-A2	NEW
	VC887100	OPTICAL FILTER	2-B4	NEW
	VC960800	COMPL PWB,CA-2 [C-4100ZOOM(J)]	2-C1	NEW
	VC960900	COMPL PWB,ST-1	2-C3	NEW
	VC961000	COMPL PWB,CA-1	2-D3	NEW
	VC961100	COMPL PWB,CA-2 [C-4000ZOOM(E),(U)]	2-C1	NEW
	VC961200	COMPL PWB,CA-2 [C-4000ZOOM(G)]	2-C1	NEW
	VC961300	COMPL PWB,SY-1	2-D1	NEW
	VC961400	ASSY,UNIT,FLEXIBLE PWB	2-C1	NEW
	VE083901	GEAR	2-B3	
	VE084000	SHAFT GEAR	2-B3	
	VE084700	HOLDER MODE	2-A2	
	VE085400	TERMINAL MD	2-A2	
	VE085500	BALL CLICK	2-A2	
	VE085600	SPRING M	2-A2	
	VE085900	SPRING Z	2-A2	
	VE086200	SPRING R	2-A1	
	VE121500	HOLDER LED	2-B3	
	VE203300	GUIDE LEVER Z	2-A2	
	VE203400	GUIDE DIAL M	2-A2	
	VE208502	KNOB DIAL	2-A1	
	VE208700	TERMINAL Z	2-A2	
	VE209500	HOLDER BATTERY A	2-A3	
	VE209600	HOLDER BATTERY B	2-A3	
	VE297300	TERMINAL BATTERY	2-A3	

## PARTS LIST

C-4100ZOOM/C-4000ZOOM

REF NO	PARTS NO	DESCRIPTION	REMARKS	NOTE
	VE414600	HOLDER CHASSIS	2-C3	NEW
	VJ140600	LENS,VF(ASSY)	2-C2	
	VJ382700	LENS(ASSY)	2-A4	NEW
	VC130500	SHIELD TAPE	CA-1	
R9005	VC300200	MT-GLAZE 0 ZA 1/10W	CA-1	
Q9001	VC603200	TR 2SC4081-R	CA-1	
Q9001	VC607900	TR 2SD1819A-R	CA-1	
Q9002	VC620700	TR 2SC3931-D	CA-1	
D9002	VC652000	DIODE DSH015	CA-1	
D9002	VC655800	DIODE MA141K	CA-1	
IC904	VC740100	IC CXD3400N (V.DRIVER)	CA-1	
IC909	VC780300	IC TK11130CS	CA-1	
IC905	VC784400	IC AD9849AKST	CA-1	NEW
Y1103	VC126500	SPACER SHIELD CA2-SIDE-B	CA-2	
R9531	VC304000	MT-GLAZE 390 JA 1/10W	CA-2	
R9532	VC304700	MT-GLAZE 470 JA 1/10W	CA-2	
R1411	VC306800	MT-GLAZE 10K JA 1/16W	CA-2	
R1413	VC309800	MT-GLAZE 4.7K JA 1/16W	CA-2	
Q9502	VC602900	TR 2SC4399-5	CA-2	
Q1705	VC607800	TR 2SB1218A-R	CA-2	
Q1507	VC609400	TR 2SA1745-7	CA-2	
Q1507	VC609500	TR 2SA1745-6	CA-2	
Q1502	VC609800	TR XP4601	CA-2	
Q9502	VC614700	TR 2SC4399-4	CA-2	
Q1502	VC615800	TR UMZ1N	CA-2	
Q1705	VC618400	TR 2SA1576A-R	CA-2	
Q1923	VC618600	TR 2SC4617 R	CA-2	
Q1601	VC618700	TR DTC114EE	CA-2	
Q1501	VC619000	TR UMT1N	CA-2	
Q9505	VC619300	TR CPH3109	CA-2	
Q1304	VC619500	TR DTC144EE	CA-2	
Q1305	VC620000	トランジスタ UMD3N	CA-2	
Q9509	VC621000	TR UMH10N	CA-2	
Q1504	VC621400	TR 2SA1774 R	CA-2	
Q1921	VC621500	TR DTA143ZE	CA-2	
Q1922	VC621600	TR DTC143ZE	CA-2	
Q9506	VC622200	TR DTC115EUA	CA-2	
Q1301	VC625400	TR UMH2N	CA-2	
Q1601	VC627100	TR UN9211J	CA-2	
Q1304	VC627200	TR UN9213J	CA-2	
Q1305	VC627400	TR XP4311	CA-2	
IC152	VC736900	IC TK15405M VIDEO-AMP	CA-2	
IC951	VC746500	IC S-8520B33MC	CA-2	
IC107	VC746800	IC SN74LV273ADB	CA-2	
IC171	VC748800	IC LV4137W LCD DRIVER	CA-2	
IC103	VC778000	IC HY57V641620HGT-H SDRAM	CA-2	
IC145	VC780400	IC TK11131CS REGULATOR	CA-2	
IC101	VC780800	IC MB86838PBT2-G CPU 0.65CSP	CA-2	
IC146	VC781800	IC MC74VHC1G02DF	CA-2	
IC103	VC783200	IC K4S641632F-TC75 SDRAM	CA-2	
IC103	VC783900	IC W986416DH-7 SDRAM	CA-2	
IC102	VC784000	IC KS6M1U1626CBP ASIC 0.65CSP	CA-2	
IC121	VC784300	IC 61403575A [C-4000ZOOM(G)]	CA-2	NEW

## PARTS LIST

C-4100ZOOM/C-4000ZOOM

REF NO	PARTS NO	DESCRIPTION	REMARKS	NOTE
IC956	VC784500	IC M50231HP	CA-2	NEW
IC121	VC784600	IC 61403575A [C-4100ZOOM(J)]	CA-2	NEW
IC111	VC784800	IC BU2385KN	CA-2	NEW
IC121	VC784900	IC 61401575C [C-4000ZOOM(E),(U)]	CA-2	NEW
JK151	VC859800	JACK,PHONE D3.6 VIDEO JACK	CA-2	
CN141	VC868900	SOCKET,CARD 24P TO SMARTMEDIA	CA-2	
CN110	VC885400	SOCKET,USB 5P TO USB	CA-2	
X1101	VC885900	OSC,CRYSTAL 28.63636MHZ	CA-2	NEW
D3111	VC652700	DIODE DAP202U	FLEX_PWB	
BZ311	VC856900	PZ BZR PKM13EPY-4002	FLEX_PWB	
S3011	VC866100	SWITCH,PUSH 1P-2TX1 SHUTTER	FLEX_PWB	
Y5412	VC126200	SPACER SHEET ST-1 C5412	ST-1	
	VC187200	SHIELD ST1 SIDE-B	ST-1	NEW
	VC188200	SPACER ST1	ST-1	NEW
R5067	VC306600	MT-GLAZE 100 JA 1/16W	ST-1	
R5066	VC307100	MT-GLAZE 12K JA 1/16W	ST-1	
R5072	VC308400	MT-GLAZE 22K JA 1/16W	ST-1	
R5001	VC308700	MT-GLAZE 2.7K JA 1/16W	ST-1	
R5423	VC308900	MT-GLAZE 33 JA 1/16W	ST-1	
R5070	VC309000	MT-GLAZE 330 JA 1/16W	ST-1	
R5065	VC309600	MT-GLAZE 39K JA 1/16W	ST-1	
R5426	VC310000	MT-GLAZE 470K JA 1/16W	ST-1	
R5031	VC310900	MT-GLAZE 82K JA 1/16W	ST-1	
R5009	VC311200	MT-GLAZE 1M JA 1/16W	ST-1	
R5040	VC311300	MT-GLAZE 56K JA 1/16W	ST-1	
R5100	VC311900	MT-GLAZE 2.2M JA 1/16W	ST-1	
R5042	VC327800	FILM 3.9K DU 1/16W	ST-1	
C5029	VC456400	CERAMIC 2200P K 50V	ST-1	
Q5016	VC615900	TR UMY1N	ST-1	
Q5006	VC616700	TR UMH11N	ST-1	
Q5004	VC616800	TR UMD2N	ST-1	
Q5401	VC618800	TR DTC123JE	ST-1	
Q5010	VC618900	TR DTA114YE	ST-1	
Q5001	VC619200	TR CPH3205	ST-1	
Q5017	VC619800	TR FTS2005-TL	ST-1	
Q5005	VC622000	TR 2SA2018	ST-1	
Q5409	VC622100	TR CY25AAJ-8	ST-1	
Q5015	VC625900	TR 3LN01S-TL	ST-1	
Q5024	VC627500	TR UPA1915TE	ST-1	
Q5013	VC627600	TR CPH5809	ST-1	
Q5007	VC627700	TR TFDC640P	ST-1	NEW
D5452	VC652600	DIODE DAN202U	ST-1	
IC502	VC734800	IC TC7S08FU	ST-1	
PR502	VC775400	FUSE 32V 1.5A	ST-1	
IC501	VC782000	IC FA7708R	ST-1	
T5402	VC861700	TRANS,STEP UP	ST-1	
T5003	VC862400	TRANS,POWER,PULSE	ST-1	
PR501	VC865800	FUSE 32V 2A	ST-1	
PR503	VC865900	FUSE 32V 1A	ST-1	
CN502	VC871500	PLUG,2P	ST-1	
T5401	VC877200	TRANS,STEP UP	ST-1	
JK501	VC884000	SOCKET,DC DC JACK	ST-1	
T5002	VC886000	TRANS,POWER,PULSE	ST-1	NEW

## PARTS LIST

C-4100ZOOM/C-4000ZOOM

REF NO	PARTS NO	DESCRIPTION	REMARKS	NOTE
T5001	VC886200	TRANS,POWER,PULSE	ST-1	NEW
R3001	VC306700	MT-GLAZE 1K JA 1/16W	SY-1	
R3006	VC306900	MT-GLAZE 100K JA 1/16W	SY-1	
R3008	VC308200	MT-GLAZE 220 JA 1/16W	SY-1	
R3028	VC309200	MT-GLAZE 33K JA 1/16W	SY-1	
R3015	VC309300	MT-GLAZE 330K JA 1/16W	SY-1	
R3023	VC309700	MT-GLAZE 470 JA 1/16W	SY-1	
R3004	VC309900	MT-GLAZE 47K JA 1/16W	SY-1	
R3029	VC311100	MT-GLAZE 0 ZA 1/16W	SY-1	
Q3004	VC620900	TR DTA114EE	SY-1	
Q3005	VC625700	TR DTC123EE	SY-1	
IC302	VC782100	IC NJU7285CV-TE1 REGULATOR	SY-1	
IC301	VC784700	IC UPD780023AGB-G06-8EU	SY-1	NEW
S3001	VC861500	SWITCH,PUSH	SY-1	
S3004	VC863300	SWITCH,PUSH 1P-1TX1	SY-1	
X3001	VC876800	OSC,CERAMIC 4.00MHZ	SY-1	
X3002	VC883500	OSC,CRYSTAL 32.768KHZ	SY-1	
	VE4421	SERIAL LABEL J (made in Japan)		NEW
	VE4422	SERIAL LABEL U (made in Japan)		NEW
	VE4423	SERIAL LABEL EG (made in Japan)		NEW
	VE4424	SERIAL LABEL Jk (made in Korea)		NEW
	VE4425	SERIAL LABEL Uk (made in Korea)		NEW
	VE4426	SERIAL LABEL Ek (made in Korea)		NEW
	VE4427	SERIAL LABEL Ji (made in Indonesia)		NEW
	VE4428	SERIAL LABEL Ui (made in Indonesia)		NEW
	VE4429	SERIAL LABEL Ei (made in Indonesia)		NEW
	VE4430	SERIAL LABEL Cc (made in China)		NEW