

A

B

C

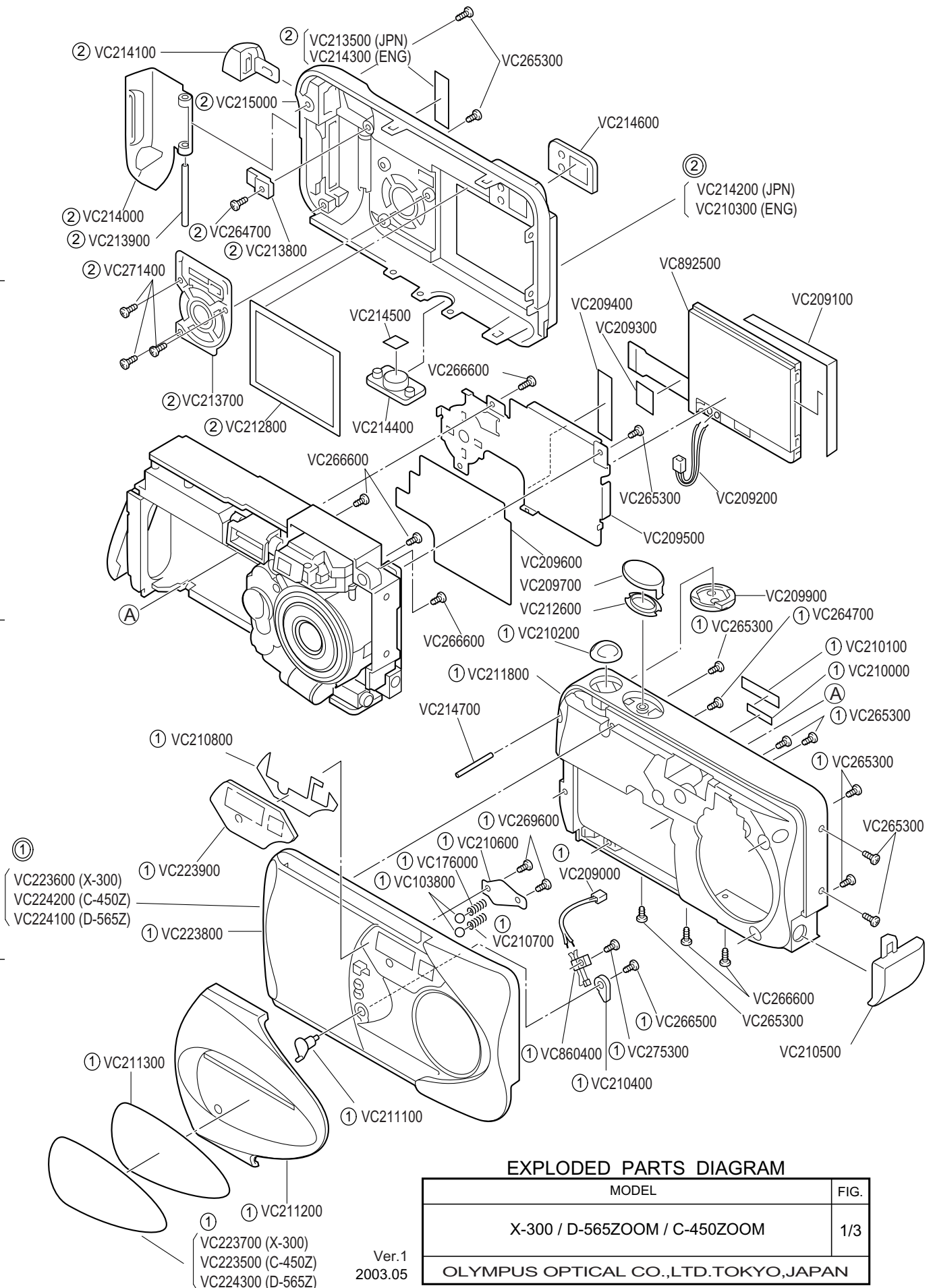
D

1

2

3

4

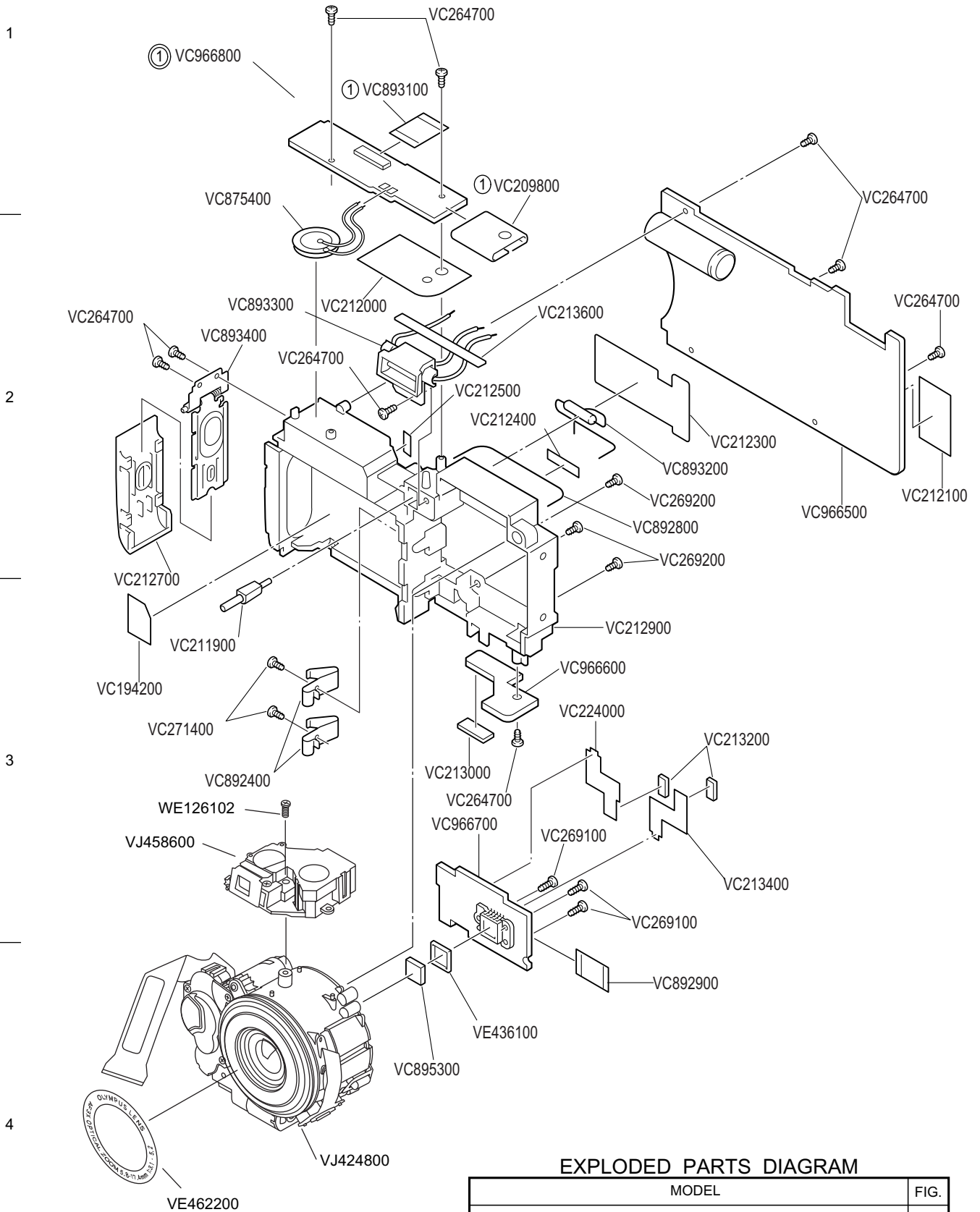


EXPLODED PARTS DIAGRAM

MODEL	FIG.
X-300 / D-565ZOOM / C-450ZOOM	1/3
OLYMPUS OPTICAL CO.,LTD.TOKYO,JAPAN	

Ver.1
2003.05

A | B | C | D



EXPLODED PARTS DIAGRAM

MODEL	FIG.
X-300 / D-565ZOOM / C-450ZOOM	2/3
OLYMPUS OPTICAL CO.,LTD.TOKYO,JAPAN	

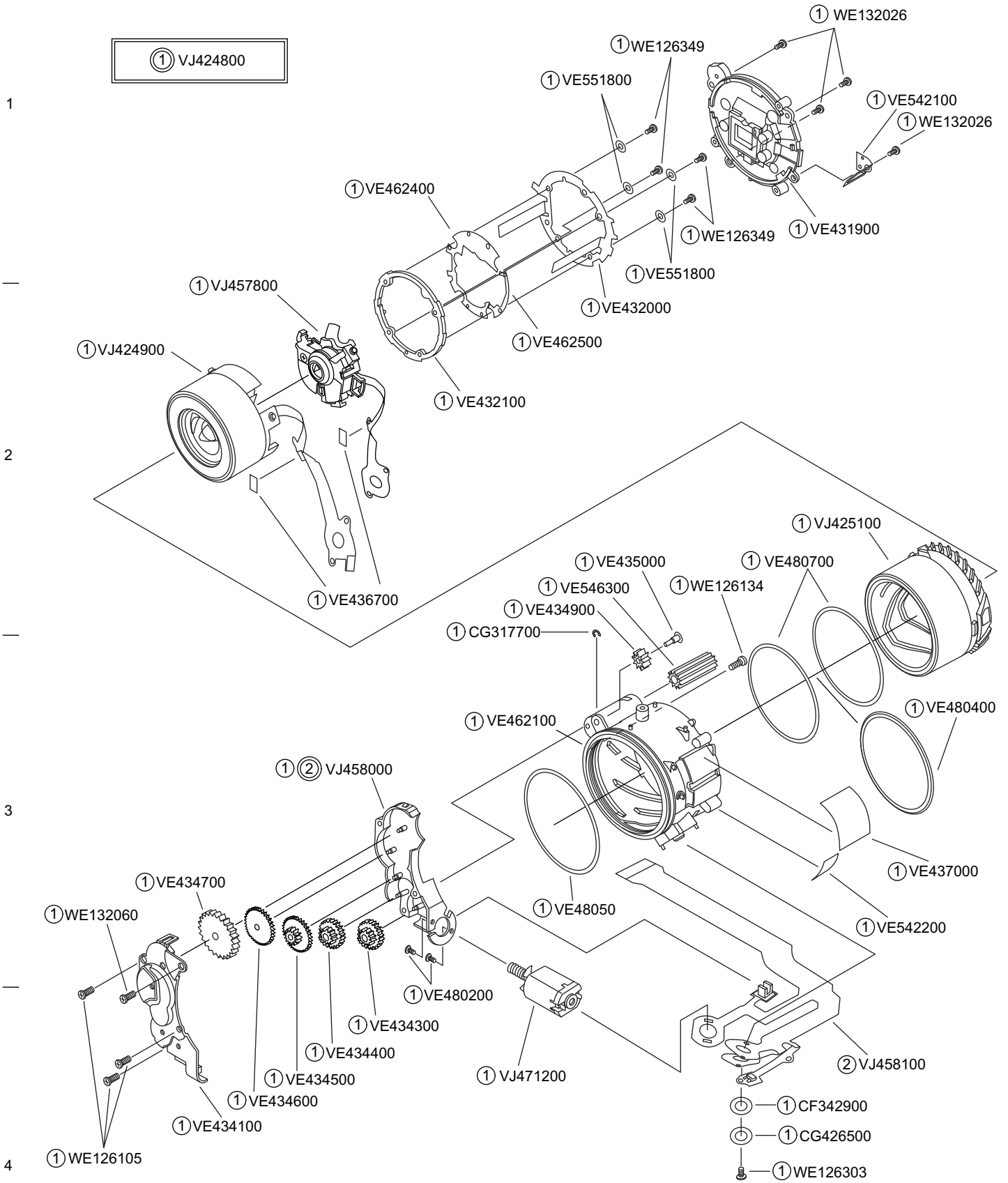
Ver.1
2003.05

A

B

C

D



EXPLODED PARTS DIAGRAM

MODEL	FIG.
X-300 / D-565ZOOM / C-450ZOOM	3/3
OLYMPUS OPTICAL CO.,LTD.TOKYO,JAPAN	

Ver.1
2003.05

PARTS LIST

X-300/D-565ZOOM/C-450ZOOM

REF NO	PARTS NO	DESCRIPTION	REMARKS	NOTE
	CF342900	ConnectRubber	3-D4	
	CG317700	3GStoper	3-C2	
	CG426500	ConnectPlate	3-D4	
	VC103800	BALL,CLICK	1-B3	
	VC176000	SPRING COMP COVER	1-B3	
	VC194200	LABEL BATTERY	2-A3	
	VC209000	ASSY,WIRE POWERSW&SY1	1-C3	
	VC209100	SPACER L-LCD	1-D2	
	VC209200	ASSY,WIRE LCD-BL(SR)	1-D2	
	VC209300	SPACER LCD	1-C2	
	VC209400	ADHESIVE MONITOR A	1-C2	
	VC209500	HOLDER MONITOR	1-C2	
	VC209600	SPACER HL MONITOR	1-C2	
	VC209700	BUTTON SHUTTER	1-C2	
	VC209800	SPACER SY1 A	2-C1	
	VC209900	BUTTON ZOOM	1-D2	
	VC210000	ADHESIVE COV FLASH	1-D3	
	VC210100	SPACER FLASH FR	1-D3	
	VC210200	KNOB ZOOM	1-C3	
	VC210300	COMPL,CABI BACK	1-D1	
	VC210400	ARM PROTECT	1-C4	
	VC210500	COVER JACK	1-D4	
	VC210600	HOLDER CLICK	1-C3	
	VC210700	SPRING COMP COVER A	1-C3	
	VC210800	ADHESIVE DEC FLASH	1-A3	
	VC211100	LEVER PROTECT	1-B4	
	VC211200	COVER LENS	1-B4	
	VC211300	ADHESIVE DEC LENS	1-A4	
	VC211800	CABINET FRONT	1-C3	
	VC211900	REFLECTOR SELF	2-A3	
	VC212000	SPACER FLASH	2-B2	
	VC212100	ADHESIVE CP1	2-D2	
	VC212300	SPACER FUSE	2-C2	
	VC212400	SHIELD TAPE	2-C2	
	VC212500	SPACER LINE RED	2-B2	
	VC212600	SPRING SHUTTER	1-C2	
	VC212700	COVER BATTERY	2-A2	
	VC212800	SPACER MONITOR	1-B2	
	VC212900	HOLDER CHASSIS	2-C3	
	VC213000	SPACER LENS FPC	2-B3	
	VC213200	PAD	2-D3	
	VC213400	SPACER A	2-D3	
	VC213500	LABEL CARD	1-B1	
	VC213600	SPACER STROBO LINE	2-C2	
	VC213700	BUTTON MODE	1-A2	
	VC213800	HOLDER SHAFT	1-B1	
	VC213900	SHAFT CARD	1-A1	
	VC214000	COVER CARD	1-A1	
	VC214100	COVER USB	1-A1	
	VC214200	COMPL,CABI BACK	1-D1	
	VC214300	LABEL CARD	1-B1	
	VC214400	STAND	1-B2	
	VC214500	ADHESIVE STAND	1-B2	

PARTS LIST

X-300/D-565ZOOM/C-450ZOOM

REF NO	PARTS NO	DESCRIPTION	REMARKS	NOTE
	VC214600	DEC VF	1-C1	
	VC214700	SHAFT STRAP	1-C3	
	VC215000	CABINET BACK	1-B1	
	VC223500	DEC LENS [C-450ZOOM]	1-A4	NEW
	VC223600	COMPL,CABI FRONT [X-300]	1-A3	NEW
	VC223700	DEC LENS [X300]	1-A4	NEW
	VC223800	COVER FRONT	1-A3	NEW
	VC223900	DEC WINDOW FLASH	1-A3	NEW
	VC224000	SPACER B	2-C3	NEW
	VC224100	COMPL,CABI FRONT [D-565ZOOM]	1-A3	NEW
	VC224200	COMPL,CABI FRONT [C-450ZOOM]	1-A3	NEW
	VC224300	DEC LENS [D-565ZOOM]	1-A4	NEW
	VC264700	SCR S-TPG PAN PCS 1.7X3.5	1-D2	
	VC265300	SCR S-TPG PAN PCS 1.7X4	1-D4	
	VC266500	SCR S-TPG PAN PCS 1.7X3	1-C4	
	VC266600	SCR S-TP PAN PCS 1.7X5.0	1-D4	
	VC269100	SCR S-TPG PAN PCS 1.6X3.5	2-C3	
	VC269200	SCR S-TPG PAN PCS 1.6X5	2-C2	
	VC269600	SCR S-TPG PAN PCS 1.7X4.5	1-C3	
	VC271400	SCR S-TPG PAN PCS 1.7X3	1-A1	
	VC275300	SCR S-TPG PAN PCS 2X4	1-C4	
JK651	VC859800	VIDEO JACK	TB-1	
	VC860400	SWITCH,LEAF 1P-1T	1-C4	
F5002	VC865800	FUSE 32V 2A	CP-1	
F5003	VC865800	FUSE 32V 2A	CP-1	
F5005	VC865800	FUSE 32V 2A	CP-1	
F5006	VC865800	FUSE 32V 2A	CP-1	
F5004	VC865900	FUSE 32V 1A	CP-1	
S3001	VC866100	SWITCH,PUSH 1P-2TX1	SY-1	
JK501	VC866700	SOCKET,DC	CP-1	
	VC875400	PIEZO BUZZER PS1550L40N	2-A1	
S1601	VC876500	SWITCH,PUSH	CP-1	
S1602	VC876500	SWITCH,PUSH	CP-1	
S1603	VC876500	SWITCH,PUSH	CP-1	
S1604	VC876500	SWITCH,PUSH	CP-1	
S1605	VC876500	SWITCH,PUSH	CP-1	
S1606	VC876500	SWITCH,PUSH	CP-1	
CN110	VC885400	SOCKET,USB 5P	CP-1	
F5001	VC892300	FUSE 32V 2.5A	CP-1	
	VC892400	TERMINAL BATTERY	2-B3	
	VC892500	LCD	1-D1	
S1651	VC892600	SWITCH,DETECTOR 1P-1T	CP-1	
	VC892800	ASSY,WIRE BAT +	2-C2	
	VC892900	FLEXIBLE PWB,CP1-CA1	2-C4	
	VC893100	FLEXIBLE PWB,CP1-SY1	2-B1	
	VC893200	ASSY,WIRE BATTERY	2-C2	
	VC893300	COMPL,REFLECTOR	2-B2	
	VC893400	ASSY,TERMINAL PLATE	2-A2	
	VC895300	OPTICAL FILTER	2-B4	NEW
	VC966500	COMPL PWB,CP-1	2-D2	NEW
	VC966600	COMPL PWB,TB-1	2-C3	NEW
	VC966700	COMPL PWB,CA-1	2-B3	NEW
	VC966800	COMPL PWB,SY-1	2-A1	NEW

PARTS LIST

X-300/D-565ZOOM/C-450ZOOM

REF NO	PARTS NO	DESCRIPTION	REMARKS	NOTE
	VE431900	Cholder	3-D3	
	VE432000	FloatKey	3-C2	
	VE432100	FloatKeyGuide	3-B2	
	VE434100	GearCover	3-A4	
	VE434300	106ZWheel	3-B4	
	VE434400	106ZGear1	3-B4	
	VE434500	106ZGear2	3-B4	
	VE434600	106ZGear3	3-B4	
	VE434700	106ZIdle	3-A3	
	VE434900	106FIdle	3-C2	
	VE435000	FIdleShaft	3-C2	
	VE436100	SPACER	2-C4	
	VE436700	LD-FPCTape1	3-B2	
	VE437000	FPCTape	3-D3	
	VE462100	BaseFrame	3-C3	
	VE462200	1ZCoverRing	3-A4	
	VE462400	FloatAperture1	3-B1	
	VE462500	FloatAperture2	3-C2	
	VE480200	U1.4X1.6NR	3-B4	
	VE480400	1ZLightProof	3-D3	
	VE480500	CamSheet	3-C3	
	VE480700	1ZSheet	3-D2	
	VE542100	PRHolder	3-D1	
	VE542200	PR-Tape	3-D3	
	VE546300	LongGear	3-C2	
	VE551800	FloatAperture3	3-C1	
	VJ424800	Lens-ASSY	2-B4	
	VJ424900	1ZFrame-ASSY	3-A2	
	VJ425100	CamBarrel-ASSY	3-D2	
	VJ457800	2ZFrame-ASSY	3-B2	
	VJ458000	GearCase-ASSY	3-B3	
	VJ458100	106Z-FPCA	3-D4	
	VJ458600	106Finder-ASSY	2-A3	
	VJ471200	Zmortor-ASSY	3-C4	
	VT4721	Rated Label G2k (For GXO 2/2, made in Korea)		
	VT4726	Rated Label G2i (For GXO 2/2, made in Indonesia)		
	VT5333	Rated Label J (For JO, made in Japan)		NEW
	VT5335	Rated Label EG (For EXO/GXO/PXO, made in Japan)		NEW
	VT5454	Rated Label Jk (For JO, made in Korea)		NEW
	VT5456	Rated Label Ek (For EXO/PXO, made in Korea)		NEW
	VT5457	Rated Label G1k (For GXO 1/2, made in Indonesia)		NEW
	VT5458	Rated Label Ji (For JO, made in Indonesia)		NEW
	VT5459	Rated Label Ui (For UO, made in Indonesia)		NEW
	VT5460	Rated Label Ei (For EXO/PXO, made in Indonesia)		NEW
	VT5461	Rated Label G2i (For GXO 2/2, made in Indonesia)		NEW
	WE126102	PUTB1.6x3.5SN	2-A3	
	WE126105	PUTB1.6x4SB	3-A4	
	WE126134	PUTB1.6x4.5SB	3-C2	
	WE126303	PUTB1.6x630SN	3-D4	
	WE126349	PUTB1.4x2.2SB	3-C1	
	WE132026	3PUTB1.6x4SN	3-D1	
	WE132060	3PUTB1.4x4SN	3-A3	