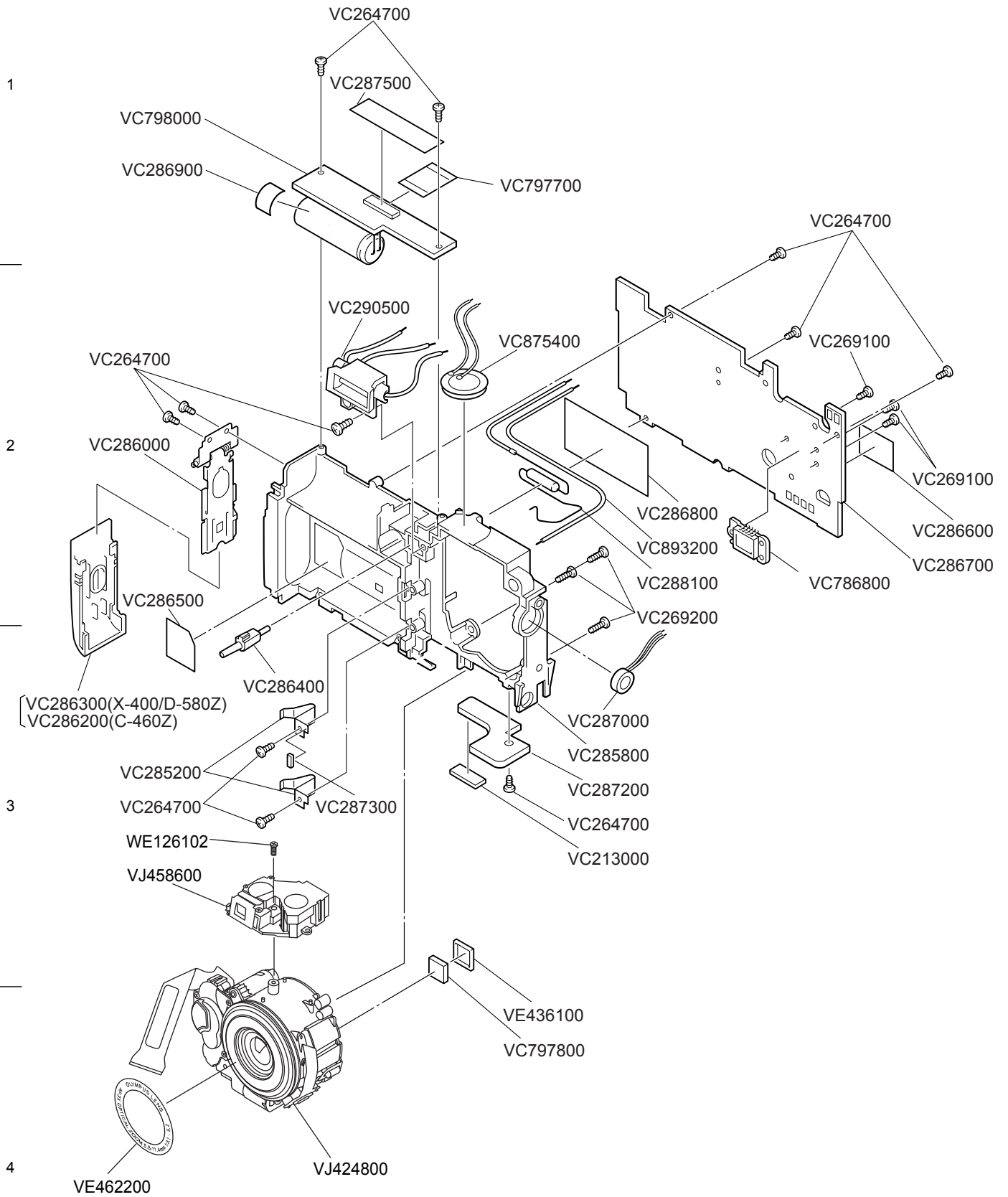


EXPLODED PARTS DIAGRAM

MODEL	FIG.
X-400/D-580ZOOM/C-460ZOOM	1/2
OLYMPUS CORPORATION	

Ver.1
2004.02

A | B | C | D



EXPLODED PARTS DIAGRAM

MODEL	FIG.
X-400/D-580ZOOM/C-460ZOOM	2/3
OLYMPUS CORPORATION	

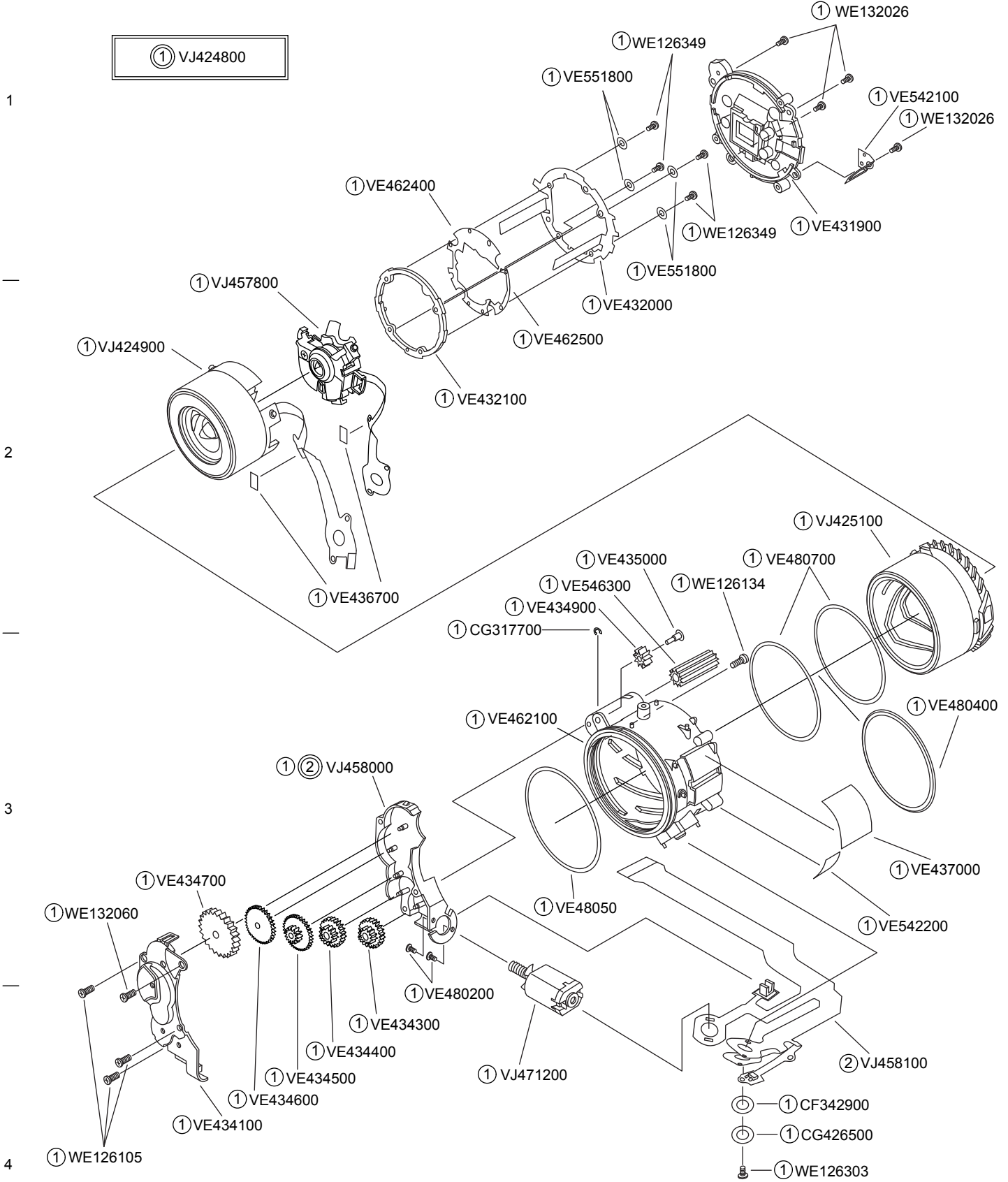
Ver.1
2004.02

A

B

C

D



EXPLODED PARTS DIAGRAM

MODEL	FIG.
X-400 / D-580ZOOM / C-460ZOOM	3/3
OLYMPUS CORPORATION	

Ver.1
2004.02

REF NO	PARTS NO	DESCRIPTION	REMARKS	NOTE
	CF342900	ConnectRubber	3-D4	
	CG317700	3GStoper	3-C3	
	CG426500	ConnectPlate	3-D4	
	VC103800	BALL,CLICK	1-B3	
	VC209100	SPACER L-LCD	1-D2	
	VC209200	WIRE LCD-BL(SR)	1-D2	
	VC209300	SPACER LCD	1-C2	
	VC209400	ADHESIVE MONITOR A	1-C2	
	VC209900	BUTTON ZOOM	1-D3	
	VC210600	HOLDER CLICK	1-C3	
	VC211300	ADHESIVE DEC LENS	1-A4	
	VC212600	SPRING SHUTTER	1-C2	
	VC213000	SPACER LENS FPC	2-B3	
	VC213500	LABEL CARD J	1-C1	
	VC213900	SHAFT CARD	1-A1	
	VC214300	LABEL CARD U	1-C1	
	VC214400	STAND	1-B2	
	VC214700	SHAFT STRAP	1-C3	
	VC264700	SCR S-TPG PAN PCS 1.7X3.5	2-B1,B2,etc	
	VC265300	SCR S-TPG PAN PCS 1.7X4	1-B1,C1,etc	
	VC266500	SCR S-TPG PAN PCS 1.7X3	1-C4	
	VC266600	SCR S-TP PAN PCS 1.7X5.0	1-B2,C2	
	VC269100	SCR S-TPG PAN PCS 1.6X3.5	2-D2	
	VC269200	SCR S-TPG PAN PCS 1.6X5	2-C2	
	VC270600	SPECIAL SCREW-1.7X2.5	1-C3	
	VC275300	SCR S-TPG PAN PCS 2X4	1-C4	
	VC283200	SPACER CAB FRONT	1-C2,C3	NEW
	VC283300	COMPL CABINET BACK [C-460Z(E),(G),(K),(C)]	1-A2	NEW
	VC283400	COVER CARD [X-400,D-580Z(U),(J),(E),(K)]	1-A1	NEW
	VC283500	HOLDER SHAFT	1-A1	NEW
	VC283600	ADHESIVE VF	1-B2	NEW
	VC283700	REFLECTOR VF	1-B2	NEW
	VC283800	SPACER MONITOR	1-B2	NEW
	VC283900	COVER CARD [C-460Z(J),(E),(G),(K),(C)]	1-A1	NEW
	VC284000	BUTTON MODE [C-460Z(J),(E),(G),(K),(C)]	1-B2	NEW
	VC284100	BUTTON MODE [X-400,D-580Z(J),(U),(E),(K)]	1-B2	NEW
	VC284200	SHIELD BUTTON	1-A2	NEW
	VC284300	FLEXIBLE FLAT CABLE	1-A2	NEW
	VC284400	COMPL CABINET BACK [C-460Z(J)]	1-A2	NEW
	VC284500	COMPL CABINET BACK [D-580Z(U),(E),(K)]	1-A2	NEW
	VC284600	COMPL CABINET BACK [X-400,D-580Z(J)]	1-A2	NEW
	VC284700	HOLDER MONITOR	1-C2	NEW
	VC284800	SPACER HL LCD	1-D2	NEW
	VC284900	DEC LENS [C-460Z(J),(E),(G),(K),(C)]	1-A4	NEW
	VC285000	COVER DC [X-400,D-580Z(U),(J),(E),(K)]	1-B1	NEW
	VC285100	DEC LENS [X-400]	1-A4	NEW
	VC285200	TERMINAL BATTERY	2-A3	NEW
	VC285700	DEC LENS [D-580Z(J),(U),(E),(K)]	1-A4	NEW
	VC285800	HOLDER CHASSIS	2-C3	NEW
	VC286000	ASSY,TERMINAL PLATE	2-A2	NEW
	VC286200	COVER BATTERY [C-460Z(J),(E),(G),(K),(C)]	2-A3	NEW
	VC286300	COVER BATTERY [X-400,D-580Z(U),(J),(E),(K)]	2-A3	NEW
	VC286400	REFLECTOR SELF	2-A3	NEW

PARTS LIST

X-400 / D-580ZOOM / C-460ZOOM

REF NO	PARTS NO	DESCRIPTION	REMARKS	NOTE
	VC286500	LABEL BATTERY	2-A3	NEW
	VC286600	ADHESIVE CP-1 A	2-D2	NEW
	VC286700	COMPL PWB,CP-1	2-D2	NEW
	VC286800	SPACER FUSE	2-C2	NEW
	VC286900	SPACER MAIN CON	2-A1	NEW
	VC287000	MICROPHONE	2-C3	NEW
	VC287100	COVER DC [C-460Z(J),(E),(G),(K),(C)]	1-B1	NEW
	VC287200	COMPL PWB,TB-2	2-C3	NEW
	VC287300	SPACER BATTERY	2-B3	NEW
	VC287500	ADHESIVE ST-1 A	2-B1	NEW
	VC287600	CABINET FRONT [C-460Z(J),(E),(G),(K),(C)]	1-C3	NEW
	VC287700	CABINET FRONT [X-400,D-580Z(U),(J),(E),(K)]	1-C3	NEW
	VC287800	COMPL PWB,TB-1	1-A2	NEW
	VC287900	CABINET BACK [C-460Z(J),(E),(G),(K),(C)]	1-B1	NEW
	VC288000	CABINET BACK [X-400,D-580Z(U),(J),(E),(K)]	1-B1	NEW
	VC288100	ASSY,WIRE BAT +	2-C2	NEW
	VC288300	ADHESIVE CV WIND	1-A3	NEW
	VC289800	BUTTON SHUTTER	1-C2	NEW
	VC289900	COVER JACK [C-460Z(J),(E),(G),(K),(C)]	1-C4	NEW
	VC290000	COVER JACK [X-400,D-580Z(U),(J),(E),(K)]	1-D4	NEW
	VC290100	DEC VF	1-C1	NEW
	VC290200	DEC WINDOW FLASH	1-A3	NEW
	VC290500	COMPL,REFLECTOR	2-B2	NEW
	VC290700	SPRING	1-C3	NEW
	VC291200	DEC WINDOW [D-580Z(U),(J),(E),(K)]	1-A3	NEW
	VC291300	COVER WINDOW [X-400,C-460Z(J),(E),(G),(K),(C)]	1-A3	NEW
	VC291400	KNOB ZOOM	1-C3	NEW
	VC291500	COMPL CABINET FRONT [C-460Z(J),(E),(G),(K),(C)]	1-A3	NEW
	VC291600	COMPL CABINET FRONT [D-580Z(U),(J),(E),(K)]	1-A3	NEW
	VC291700	COMPL CABINET FRONT [X-400]	1-A3	NEW
	VC291900	WIRE POWERSW&CP1	1-C3	NEW
	VC292100	COVER FRONT [C-460Z(J),(E),(G),(K),(C)]	1-A3	NEW
	VC292200	COVER FRONT [X-400,D-580Z(U),(J),(E),(K)]	1-A3	NEW
	VC292300	LEVER PROTECT	1-B4	NEW
	VC292400	COVER LENS [C-460Z(J),(E),(G),(K),(C)]	1-B4	NEW
	VC292500	COVER LENS [X-400,D-580Z(U),(J),(E),(K)]	1-B4	NEW
	VC292600	ADHESIVE D-LNS2 A	1-B4	NEW
	VC292700	ADHESIVE D-LNS2 B	1-A4	NEW
	VC292800	DEC LENS 2 [D-580Z(U),(J),(E),(K),C-460Z(J),(E),(G),(K),(C)]	1-A4	NEW
	VC292900	DEC LENS 2 [X-400]	1-A4	NEW
	VC293000	ARM PROTECT	1-C4	NEW
	VC786800	CCD-ASSY	2-D2	NEW
S6006	VC796500	SWITCH,PUSH	TB-1	NEW
F5005	VC796600	FUSE 32V 6A	CP-1	
F5001	VC796700	FUSE 32V 2A	CP-1	
F5002	VC796700	FUSE 32V 3A	CP-1	
F5003	VC796700	FUSE 32V 4A	CP-1	
F5004	VC796700	FUSE 32V 5A	CP-1	
	VC797600	LCD	1-D1	NEW
	VC797700	FLEXIBLE PWB CP1&ST1	2-C1	NEW
	VC797800	OPTICAL FILTER	2-C4	NEW
	VC798000	COMPL PWB,ST-1	2-A1	NEW
	VC860400	SWITCH,LEAF 1P-1T	1-C4	

REF NO	PARTS NO	DESCRIPTION	REMARKS	NOTE
JK651	VC866000	JACK,PHONE D3.6 AV JACK	TB-2	
JK501	VC866700	SOCKET,DC	CP-1	
	VC875400	PIEZO BUZZER PS1550L40N	2-C2	
S6001	VC876500	SWITCH,PUSH	TB-1	
S6002	VC876500	SWITCH,PUSH	TB-1	
S6003	VC876500	SWITCH,PUSH	TB-1	
S6004	VC876500	SWITCH,PUSH	TB-1	
S6005	VC876500	SWITCH,PUSH	TB-1	
CN110	VC885400	SOCKET,USB 5P	CP-1	
S3004	VC892600	SWITCH,DETECTOR 1P-1T	CP-1	
	VC893200	ASSY,WIRE BATTERY	2-C2	
	VE431900	Cholder	3-D1	
	VE432000	FloatKey	3-C2	
	VE432100	FloatKeyGuide	3-B2	
	VE434100	GearCover	3-A4	
	VE434300	106ZWheel	3-B4	
	VE434400	106ZGear1	3-B4	
	VE434500	106ZGear2	3-B4	
	VE434600	106ZGear3	3-B4	
	VE434700	106ZIdle	3-A3	
	VE434900	106FIdle	3-C3	
	VE435000	FIdleShaft	3-C2	
	VE436100	SPACER	2-C3	
	VE436700	LD-FPCTape1	3-B2	
	VE437000	FPCTape	3-D3	
	VE462100	BaseFrame	3-C3	
	VE462200	1ZCoverRing	2-A4	
	VE462400	FloatAperture1	3-B1	
	VE462500	FloatAperture2	3-C2	
	VE480200	U1.4X1.6NR	3-B4	
	VE480400	1ZLightProof	3-D3	
	VE480500	CamSheet	3-C3	
	VE480700	1ZSheet	3-D2	
	VE542100	PRHolder	3-D1	
	VE542200	PR-Tape	3-D3	
	VE546300	LongGear	3-C2	
	VE551800	FloatAperture3	3-C1,C2	
	VJ424800	LENS,ASSY	2-A3	
	VJ424900	1ZFrame-ASSY	3-A2	
	VJ425100	CamBarrel-ASSY	3-D2	
	VJ457800	2ZFrame-ASSY	3-A2	
	VJ458000	GearCase-ASSY	3-B3	
	VJ458100	106Z-FPCA	3-D4	
	VJ458600	106Finder-ASSY	2-A3	
	VJ471200	Zmortor-ASSY	3-C4	
	VT472100	Rated Label Gk2 (,for C460Z made in KOREA,Sticker)		NEW
	VT472600	Rated Label Gi2(for C460Z made in INDONESIA,Sticker)		NEW
	VT732200	Rated Label J (for X400 made in JAPAN)		NEW
	VT732300	Rated Label U(for D580Z JO/UO/EXO/KRO made in JAPAN)		NEW
	VT732400	Rated Label EG(for C460ZJO/EXO/GXO/KRO made in JAPAN)		NEW
	VT732500	Rated Label Jk(for X400 made in KOREA)		NEW
	VT732600	Rated Label Uk(for D580Z JO/UO/EXO/KRO madein KOREA)		NEW
	VT732700	Rated Label Ek(for C460Z made in KOREA)		NEW

PARTS LIST

X-400 / D-580ZOOM / C-460ZOOM

REF NO	PARTS NO	DESCRIPTION	REMARKS	NOTE
	VT732800	Rated Label Gk1(for C460Z)		NEW
	VT732900	Rated Label Ji(for X400 made in INDONESIA)		NEW
	VT733000	Rated Label Ui (for D580Z JO/UO/EXO/KRO)		NEW
	VT733100	Rated Label Ei (for C460Z JO/EXO/KRO made in INDONESIA)		NEW
	VT733200	Rated Label Gi1(for C460Z)		NEW
	VT733300	Rated Label CC(for C460Z)		NEW
	WE126102	PUTB1.6x3.5SN	2-A3	
	WE126105	PUTB1.6x4SB	3-A4	
	WE126134	PUTB1.6x4.5SB	3-C2	
	WE126303	PUTB1.6x630SN	3-D4	
	WE126349	PUTB1.4x2.2SB	3-C1	