

EXPLODED PARTS DIAGRAM

MODEL	FIG.
X-500 / D-590 ZOOM / C-470 ZOOM	1/3
OLYMPUS CORPORATION	

Ver.1  
2004.10

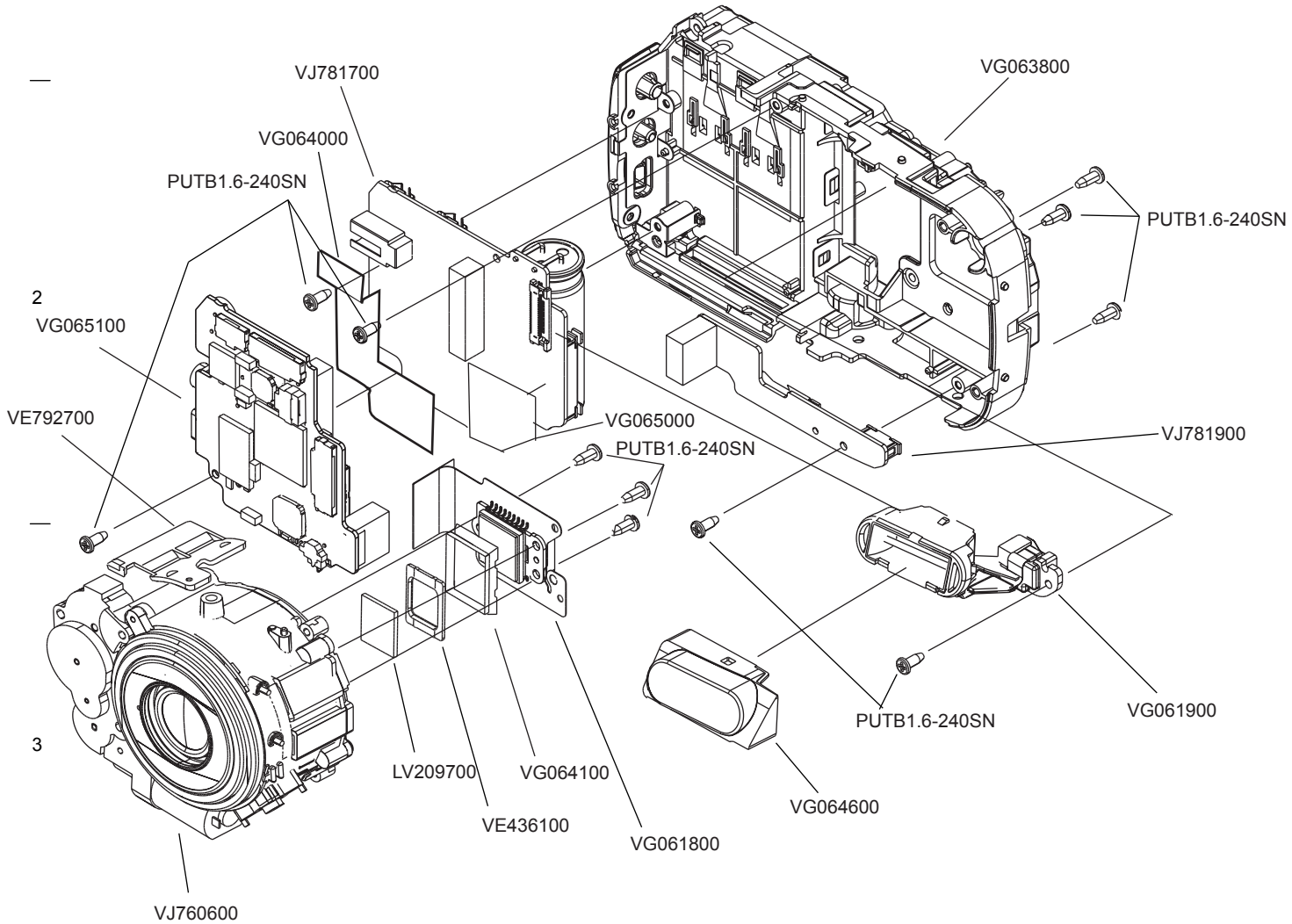
A

B

C

D

1



4

EXPLODED PARTS DIAGRAM

MODEL	FIG.
X-500 / C-590 ZOOM / C-470 ZOOM	2/3
OLYMPUS CORPORATION	

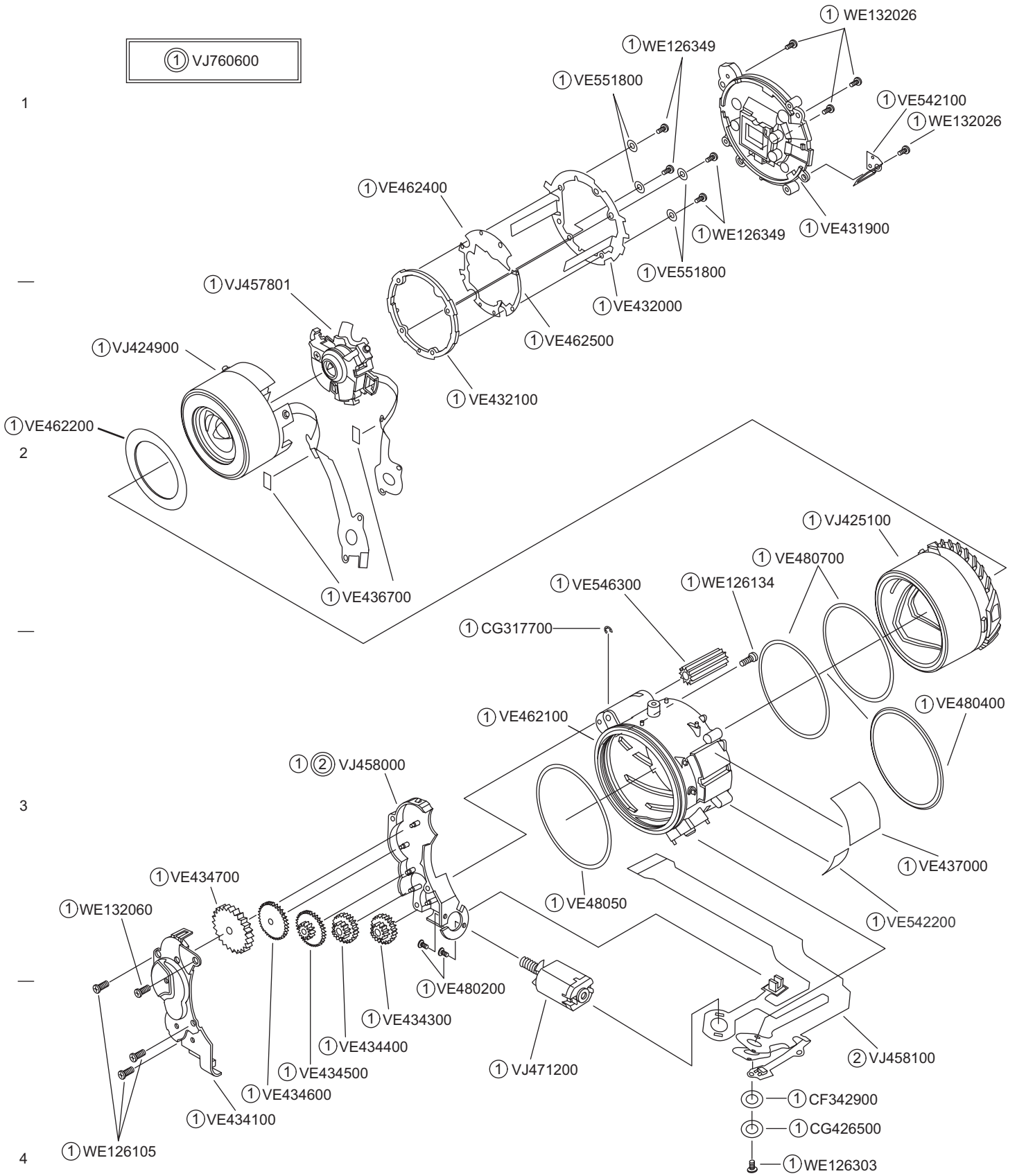
Ver.1  
2004.10

A

B

C

D



EXPLODED PARTS DIAGRAM

MODEL	FIG.
X-500 / D-590ZOOM / C-470ZOOM	3/3
OLYMPUS CORPORATION	

Ver.1  
2004.10

## PARTS LIST

X-500 / C-470ZOOM / D-590ZOOM

REF NO	PARTS NO	DESCRIPTION	REMARKS	NOTE
	VJ714900	TFT2-Unit	1-A2	
	VJ823900	MIC-Unit	1-B1	
	VJ760600	Lens Unit	2-A3	
	VG061800	CCD FPC Unit	2-B3	
	VG061900	Flash Unit	2-C3	
	LV209700	106LPF	2-A3	
	VE436100	CCD Rubber	2-B3	
	DT093900	Speaker	1-C2	
	VJ781700	PW CBA	2-B2	
	VJ781900	LCD CBA	2-C2	
	VG063600	Rear Case Unit	1-D3	
	VG063700	Barrier Unit	1-A3	
	VG063800	Base Frame	2-C2	
	VG063900	Decoration Belt J	1-C3	
	VG065200	Decoration Belt U	1-C3	
	VG064200	Decoration Belt E	1-C3	
	VG064000	Insuration Sheet	2-A2	
	VG064100	Dust Protector	2-B3	
	VG065000	EMI Shield	2-B2	
	VG064300	Rear Operation Unit	1-B2	
	VG064400	Bothside Tape	1-A2	
	VG064500	Insulation Tape	1-C1	
	VG064600	Flash Protector	2-C3	
	VG064700	Battery Cover	1-D2	
	VG064800	Tripod Plate	1-C3	
	VG064900	LCD Window	1-D3	
	VG065100	Main CBA	2-A2	
	VM009700	Bno Label J	1-B4	
	VM009800	Bno Label U	1-B4	
	VM009900	Bno Label E	1-B4	
	VM010000	Bno Label B	1-B4	
	VM033400	Bno Label A	1-B4	
	WE126273	PUTB1.6-240SN		
	WE115671	PUK1.6-240SN		
	VE792700	K Cover		
	VG113900	Side Cover		
	VG114000	EMI Plate		
	VG114100	EMI Shield 2		
	VG114200	EMI Sheet		
	VG114300	EMI Shield Plate		
	VE542100	PRHolder		
	VE431900	Cholder		
	VE551800	FloatAperture3		
	VE432000	FloatKey		
	VE462400	FloatAperture1		
	VE432100	FloatKeyGuide		
	VJ457801	2ZFrame-ASSY		
	VE436700	LD-FPCTape1		
	VJ424900	1ZFrame-ASSY		
	VE462200	1ZCoverRing		
	VJ425100	CamBarrel-ASSY		
	VE480700	1ZSheet		
	VE480400	1ZLightProof		

## PARTS LIST

X-500 / C-470ZOOM / D-590ZOOM

REF NO	PARTS NO	DESCRIPTION	REMARKS	NOTE
	VE546300	LongGear		
	VE542200	PR-Tape		
	CG317700	3GStoper		
	VE432100	FloatKeyGuide		
	VJ458100	106Z-FPCA		
	CF342900	ConnectRubber		
	CG426500	ConnectPlate		
	VJ471200	Zmortor-ASSY		
	VE480500	CamSheet		
	VJ458000	GearCase-ASSY		
	VE480200	U1.4X1.6NR		
	VE434300	106ZWheel		
	VE434400	106ZGear1		
	VE434500	106ZGear2		
	VE434600	106ZGear3		
	VE434100	GearCover		
	VE434700	106ZIdle		
	WE132026	3PUTB1.6x4SN		
	WE126349	PUTB1.4x2.2SB		
	WE126134	PUTB1.6x4.5SB		
	WE132060	3PUTB1.4x4SN		
	WE126105	PUTB1.6x4SB		
	WE126303	PUTB1.6x630SN		
	WE126203	PUTB1.6x250SN		