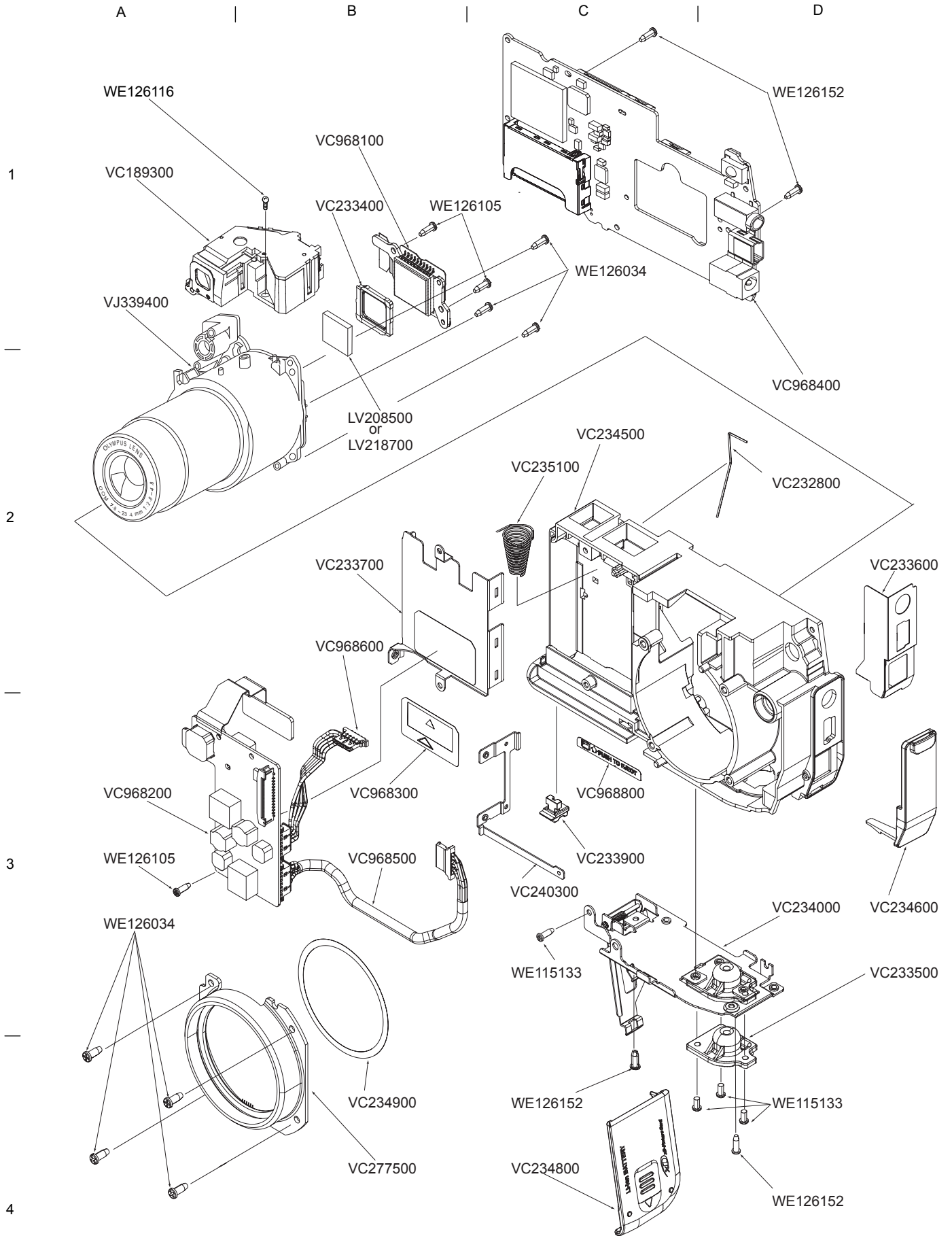


EXPLODED PARTS DIAGRAM

MODEL	FIG.
C-5000ZOOM	1/3
OLYMPUS CORPORATION	

Ver.1
2003.10



EXPLODED PARTS DIAGRAM

MODEL	FIG.
C-5000ZOOM	2/3
OLYMPUS CORPORATION . TOKYO, JAPAN	

Ver.1/Rev.1
2003.10

A

B

C

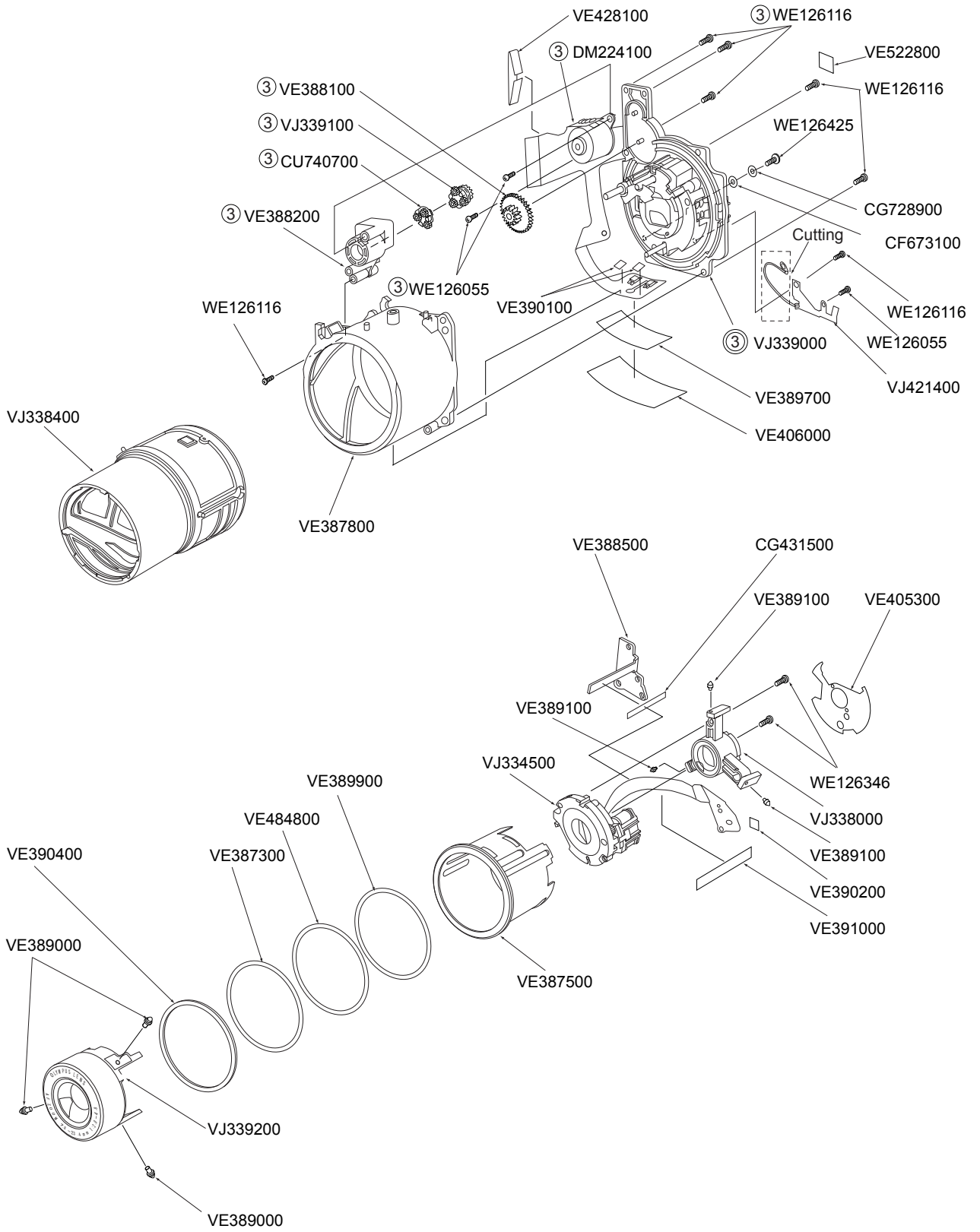
D

1

2

3

4



EXPLODED PARTS DIAGRAM (VJ339400)

MODEL	FIG.
C-5000ZOOM	3/3
OLYMPUS CORPORATION	

Ver.1
2003.10

PARTS LIST

C-5000ZOOM

REF No.	PARTS NO	DESCRIPTION	REMARKS	NOTE
	DK868500	AV Jack	MAIN	
	DK869900	USB Jack	MAIN	
	DK909300	DC Jack	MAIN	
	DY307100	Access Detector SW	MAIN	
	LV208500	IRCut Filter	2-B2	
	LV218700	IRCut Filter	2-B2	
	VC189300	Finder#	2-A1	
	VC232800	Battery Eject Spring	2-D2	NEW
	VC232900	Strobe u	1-D3	NEW
	VC233000	X-Shoe Metal	1-C3	NEW
	VC233200	Front Case-u	1-B4	NEW
	VC233300	Shoe Cover	1-D2	NEW
	VC233400	CCD Packing	2-B1	NEW
	VC233500	Tripod Screw	2-D3	NEW
	VC233600	Jack ESD Plate	2-D2	NEW
	VC233700	Battery Plate	2-B2	NEW
	VC233800	Top Operation-u	1-B3	NEW
	VC233900	Battery Eject Knob	2-C3	NEW
	VC234000	Tripod Frame -u	2-D3	NEW
	VC234100	Focus LED Panel	1-D2	NEW
	VC234200	Rear Frame	1-B2	NEW
	VC234300	Top Angle	1-B3	NEW
	VC234400	X-Shoe Base-u	1-C3	NEW
	VC234500	Base Frame	2-C2	NEW
	VC234600	Jack Cover	2-D3	NEW
	VC234800	Battery Cover	2-C4	NEW
	VC234900	Camera Sheet	2-B4	NEW
	VC235000	X-Shoe Spring	1-D2	NEW
	VC235100	Battery Spring	2-C2	NEW
	VC235200	Access LED Panel	1-B1	NEW
	VC235300	Rear Case	1-C1	NEW
	VC235400	Grip Case	1-A4	NEW
	VC235500	Rear Operation Knob	1-C2	NEW
	VC235600	Eye Cap Panel	1-D2	NEW
	VC235700	Quick View Knob	1-C1	NEW
	VC235800	Eye Cap	1-D2	NEW
	VC240200	Barrier	1-B3	NEW
	VC240300	ESD Angle	2-C3	NEW
	VC277300	Screw		NEW
	VC277400	Screw		NEW
	VC277500	Hood Screw #	2-B4	NEW
	VC898900	Power Grand Sheet	1-C3	NEW
	VC968000	Rear Operation-u	1-B1	NEW
	VC968100	CCD FPC-u	2-B1	NEW
	VC968200	POWER C.B.A	2-A3	NEW
	VC968300	Battery Manual Label	2-B3	NEW
	VC968400	MAIN C.B.A	2-D2	NEW
	VC968500	Power Cable	2-B3	NEW
	VC968600	Strobe Cable	2-B2	NEW
	VC968700	Strobe FPC	1-D3	NEW
	VC968800	XD Manual Label	2-C3	NEW
	VC969900	Top Condenser C.B.A	1-C3	NEW
	VJ339400	Lens#	2-A1	
	VJ530200	LCD	1-C2	
	VT5702	SERIAL LABEL U		NEW
	VT5703	SERIAL LABEL G		NEW
	VT5705	SERIAL LABEL K		NEW

Rev.1
Ver.1

PARTS LIST

C-5000ZOOM

REF No.	PARTS NO	DESCRIPTION	REMARKS	NOTE
	VT5706	SERIAL LABEL T		NEW
	VT5713	SERIAL LABEL CC		NEW
	VT5745	SERIAL LABEL E		NEW
	WE115133	PUK 1.6X3SN		
	WE126034	PUTB 2X5SB		
	WE126060	PUTB 1.6X3SB		
	WE126105	PUTB 1.6X4SB		
	WE126152	PUTB 1.6X5SB		