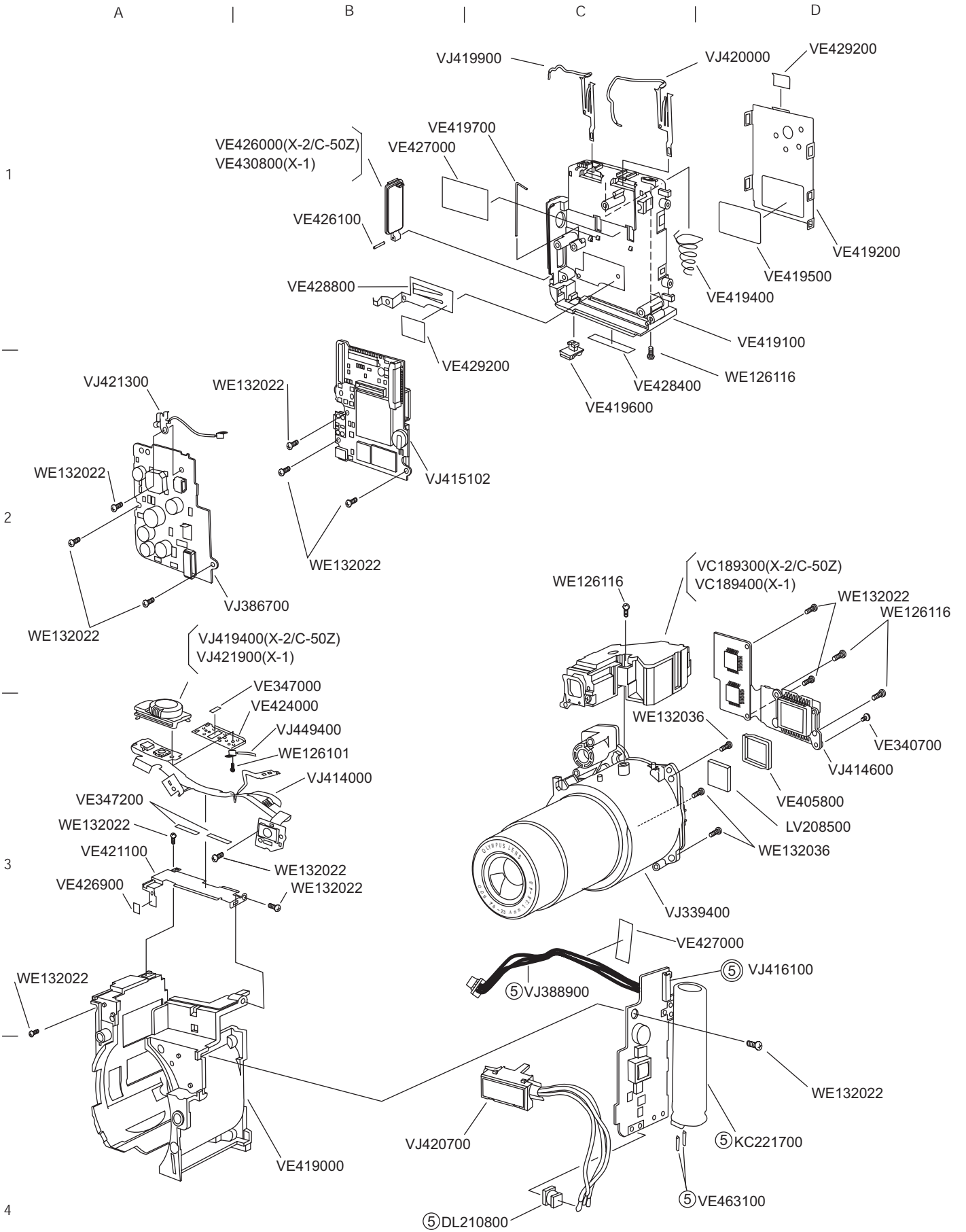


EXPLODED PARTS DIAGRAM

MODEL	FIG.
X-1 X-2/C-50Z	1/3
OLYMPUS OPTICAL CO.,LTD.TOKYO,JAPAN	



EXPLODED PARTS DIAGRAM

MODEL	FIG.
X-1	2/3
X-2/C-50Z	
OLYMPUS OPTICAL CO.,LTD.TOKYO,JAPAN	

Ver.1Rev.5  
2003.04

A | B | C | D

1

—

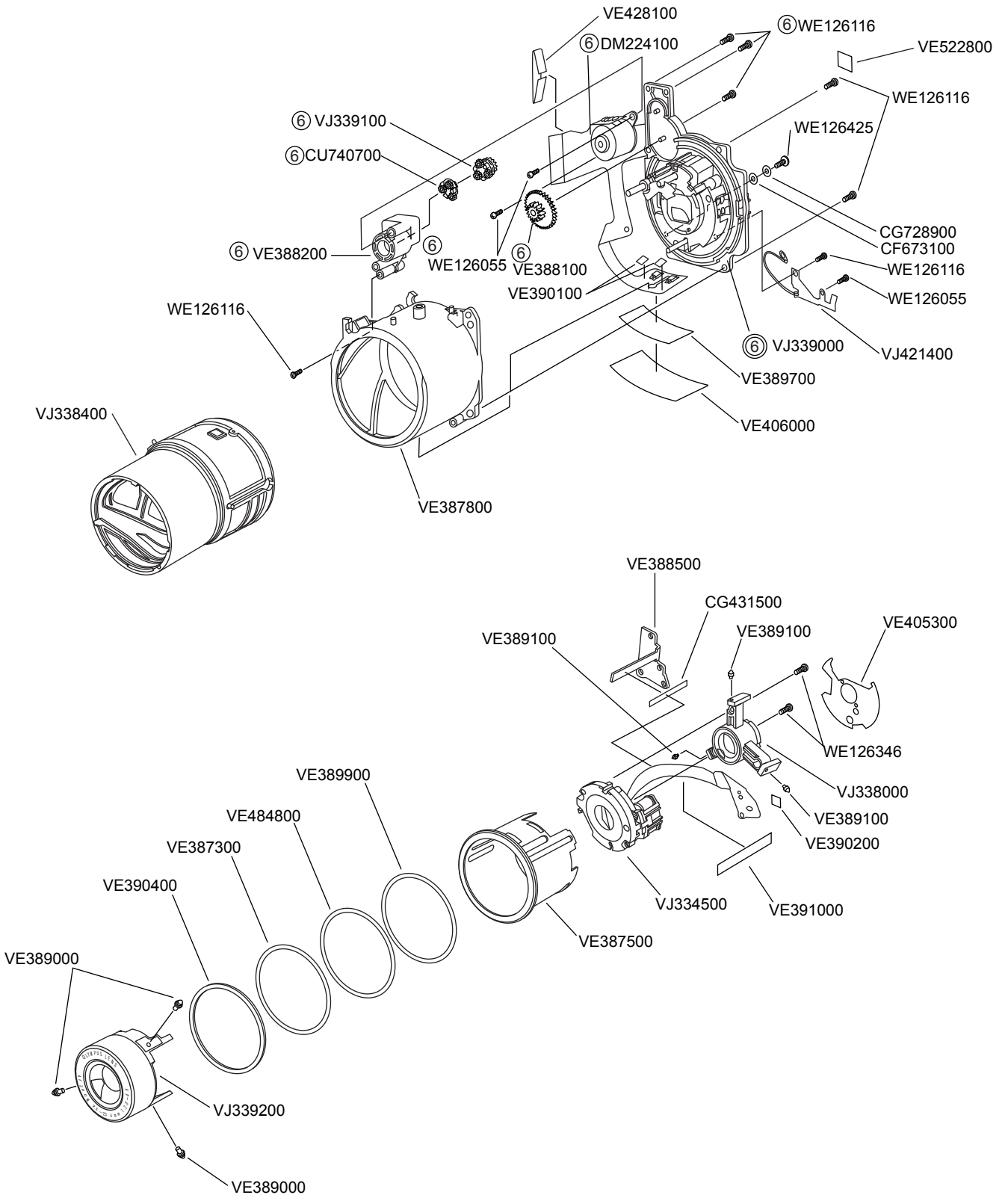
2

—

3

—

4



EXPLODED PARTS DIAGRAM (VJ339400)

MODEL	FIG.
X-1	3/3
X-2/C-50Z	
OLYMPUS OPTICAL CO.,LTD.TOKYO,JAPAN	

Ver.1/Rev.6  
2003.06

## PARTS LIST

X-1/X-2/C-50ZOOM

REF No.	PARTS NO	DESCRIPTION	REMARKS	NOTE
	CF673100	ConnectRubber2	3-D1	
	CG431500	KTape	3-C3	NEW
	CG728900	ConnectPlateS	3-D1	
	CU740700	CarrierA#	3-B1	
F206	DB157600	FUSE1.25A	PW-PCA	NEW
F200-201,203-205	DB157800	FUSE2A	PW-PCA	NEW
J500	DK799900	DC-Jack	DC-PCA	
J1007	DK879900	AV-Jack	MC-PCA2	NEW
	DL210800	Trans	2-C4	NEW
	DY271700	SWITCH	PW-PCA	NEW
	DY286200	SWITCH	MC-PCA2	NEW
	DM224100	MOTOR (DC/3.5W)	3-C1	NEW
	KC221700	AL-Capacitor	2-D4	NEW
	LV208500	LPF	2-D3	NEW
	VC189300	Finder-AssyR : X-2/C-50Z	2-C2	NEW
	VC189400	Finder-AssyR : X-1	2-C2	NEW
	VC190200	FrontCabinet-Assy1R : X-2/C-50Z	1-C2	NEW
	VC190300	FrontCabinet-Assy1R : X-1	1-C2	NEW
	VE340700	CCDscrew	2-D3	
	VE347000	ZR Tape2	2-B2	
	VE347200	MCTape	2-A3	
	VE387300	1Zsheet	3-B3	NEW
	VE387500	FloatKey	3-C3	NEW
	VE387800	BaseFrame	3-B2	NEW
	VE388100	ZGear	3-C2	NEW
	VE388200	GearCase	3-B1	NEW
	VE388500	FPCGuideC	3-C2	NEW
	VE389000	1Zpin	3-B4	NEW
	VE389100	2Zpin	3-D3	NEW
	VE389700	ZPRTape	3-D2	NEW
	VE389900	CoverRingTape2	3-B3	NEW
	VE390100	FPCTape1	3-C1	NEW
	VE390200	FPCTape2	3-D3	NEW
	VE390400	CoverRing2	3-A3	NEW
	VE391000	S-FPCSsheet	3-D3	NEW
	VE391200	CamSheet	1-D2	NEW
	VE405300	Aperture4	3-D2	NEW
	VE405800	CRubber	2-D3	NEW
	VE406000	ZPRTape2	3-D2	NEW
	VE419000	BodyFrame	2-B4	NEW
	VE419100	BatteryFrame	2-D2	NEW
	VE419200	BatteryPlate	2-D1	NEW
	VE419400	BatterySpring	2-D1	NEW
	VE419500	BatteryLabel	2-D1	NEW
	VE419600	BatteryLockLever	2-C2	NEW
	VE419700	BatteryLockSpring	2-C1	NEW
	VE420000	BatteryCover : X-2/C-50Z	1-A1	NEW
	VE420100	MonitorHoldScrew	1-A2	NEW
	VE420200	M-DialScrew	1-A2	NEW
	VE421100	BodyFramePlate	2-A3	NEW
	VE421200	BeltA	1-D3	NEW
	VE421300	BeltB	1-B3	NEW
	VE422200	Badge2 : X-2/C-50Z	1-B3	NEW
	VE422300	ClickBallA	1-C3	NEW
	VE422400	ClickSpringA	1-D3	NEW
	VE422500	ClickSpringB	1-C3	NEW
	VE422600	ClickHolder	1-D3	NEW
	VE422700	BarrierSW-Arm	1-C3	NEW
	VE423100	BarrierNut	1-B4	NEW

## PARTS LIST

X-1/X-2/C-50ZOOM

REF No.	PARTS NO	DESCRIPTION	REMARKS	NOTE
	VE424000	SubFPC-Plate	2-B3	NEW
	VE424400	ModeDial : X-2/C-50Z	1-D1	NEW
	VE424700	FLED-Sheild	1-D1	NEW
	VE425200	MonitorTape1	1-C2	NEW
	VE425300	MonitorTape2	1-C2	NEW
	VE425400	MoniInsulatorTapeA	1-A3	NEW
	VE425500	MoniInsulatorTapeB	1-B2	NEW
	VE425700	DC - JackCover	1-D1	NEW
	VE425800	StrapEyelet	1-C1	NEW
	VE425900	TriPodSocket	1-D2	NEW
	VE426000	ConnectorCover : X-2/C-50Z	2-B1	NEW
	VE426100	ConnectorCovShaft	2-B1	NEW
	VE426900	Sub-Tape	2-A3	NEW
	VE427000	BatteryShieldTape	2-B1,C3	NEW
	VE428100	EMC-Kshield	3-C1	NEW
	VE428400	NSM-Label	2-C2	NEW
	VE428500	DCHS-Tube	1-C1	NEW
	VE428800	USB-GrandPlate	2-B1	NEW
	VE428900	BarrierPin	1-B4	NEW
	VE429200	BatteryPlateTape	2-B1,D1	NEW
	VE429400	BatteryCover : X-1	1-A1	NEW
	VE430000	Badge1 : X-1	1-B3	NEW
	VE430700	ModeDial : X-1	1-D1	NEW
	VE430800	ConnecterCover : X-1	2-B1	NEW
	VE463100	FL-TUBE	2-C4	NEW
	VE463300	FerriteCore	1-A2	NEW
	VE484800	CoverSheet	3-B3	NEW
	VE485800	Sleeve1	1-D4	NEW
	VE522300	Sleeve2	1-B3,D3	NEW
	VE522400	Plate1	1-C3,D3	NEW
	VE522700	DecorationScrew		NEW
	VE522800	USB-Shield Tape	3-D1	NEW
	VE523000	EMC-Tape1	1-C3	NEW
	VE523400	EMC-Tape3	1-C1	NEW
	VE523600	TFT-Sponge	1-B1	NEW
	VE524000	Moni Click Tape	1-A2	NEW
	VE524700	Strap Spring	1-C1	NEW
	VE527300	CamSheetTape1	1-C3	NEW
	VJ334500	Shutter-Assy	3-C3	NEW
	VJ338000	2ZFrame-Assy1	3-D3	NEW
	VJ338400	Bbarrel-Assy2	3-A2	NEW
	VJ339000	Cholder-Assy3	3-D2	NEW
	VJ339100	CarrierB-Assy	3-B1	NEW
	VJ339200	1ZFrame-Assy2	3-B4	NEW
	VJ339400	Lens-Assy1	2-C3	NEW
	VJ386700	PW-PCA	2-A2	NEW
	VJ387000	DC-PCA	1-C1	NEW
	VJ387500	TFT-UT	1-B2	NEW
	VJ388800	DCHS-UT	1-B1	NEW
	VJ388900	FLHS-UT	2-C3	NEW
	VJ414000	SUB-FPCA1	2-B3	NEW
	VJ414600	CAM-PCA2	2-D3	NEW
	VJ415102	MC-PCA2	2-B2	NEW
	VJ416100	FL-PCA2	2-D3	NEW
	VJ419400	RZ-SW-Assy : X-2/C-50Z	2-A2	NEW
	VJ419800	BatteryCover-Assy : X-2/C-50Z	1-A1	NEW
	VJ419900	BatteryContact1-Assy	2-C1	NEW
	VJ420000	BatteryContact2-Assy	2-C1	NEW
	VJ420200	FrontCabinet-Assy1 : X-2/C-50Z	1-B3	NEW
	VJ420500	Barrier-Assy(C-50) : C-50Z	1-B4	NEW

## PARTS LIST

X-1/X-2/C-50ZOOM

REF No.	PARTS NO	DESCRIPTION	REMARKS	NOTE
	VJ420700	Reflector-Assy2	2-C4	NEW
	VJ420900	ModeDial-Assy	1-B2	NEW
	VJ421000	BackCabnet-Assy1: X-2/C-50Z	1-D1	NEW
	VJ421300	BodyPlateGND#	2-A2	NEW
	VJ421400	CAM-GND#	3-D2	NEW
	VJ421600	Barrier-AssyJ : X-2	1-B4	NEW
	VJ421700	BatteryHinge-Assy	1-B1	NEW
	VJ421900	RZ-SW-Assy : X-1	2-A2	NEW
	VJ422200	BatteryCover-Assy : X-1	1-A1	NEW
	VJ422400	FrontCabinet-Assy1 : X-1	1-B3	NEW
	VJ438500	Barrier-AssyJ : X-1	1-B4	NEW
	VJ438600	BackCabnet-Assy1 : X-1	1-D1	NEW
	VJ449400	SubPlug-Assy	2-B3	NEW
	VJ449900	EMCTape2Assy	1-D1	NEW
	VT379200	SerialLabelJ(X-2) Japanese market		NEW
	VT379300	SerialLabelU : US market		NEW
	VT379600	SerialLabelK : Korean market		NEW
	VT379800	SerialLabelJ(X-1) Japanese market		NEW
	VT421900	SerialLabelE1 : European and other's market		NEW
	VT422000	SerialLabelE2 : European and other's market		NEW
	WE115124	PUK1.6x1.6SN		
	WE126055	PUTB1.6x3.5SB		
	WE126081	PUTB1.6x4SN		
	WE126101	PUTB1.6x3SN		
	WE126116	PUTB1.6x4.5SN		
	WE126143	PUTB1.6x5SN		
	WE126346	PUTB1.4x4.5SN		
	WE126425	PUTB1.6-660SN		
	WE132022	3PUTB1.6x3.5SN		
	WE132036	3PUTB2x4.5SN		
	WE307004	ER2UO		