

A

B

C

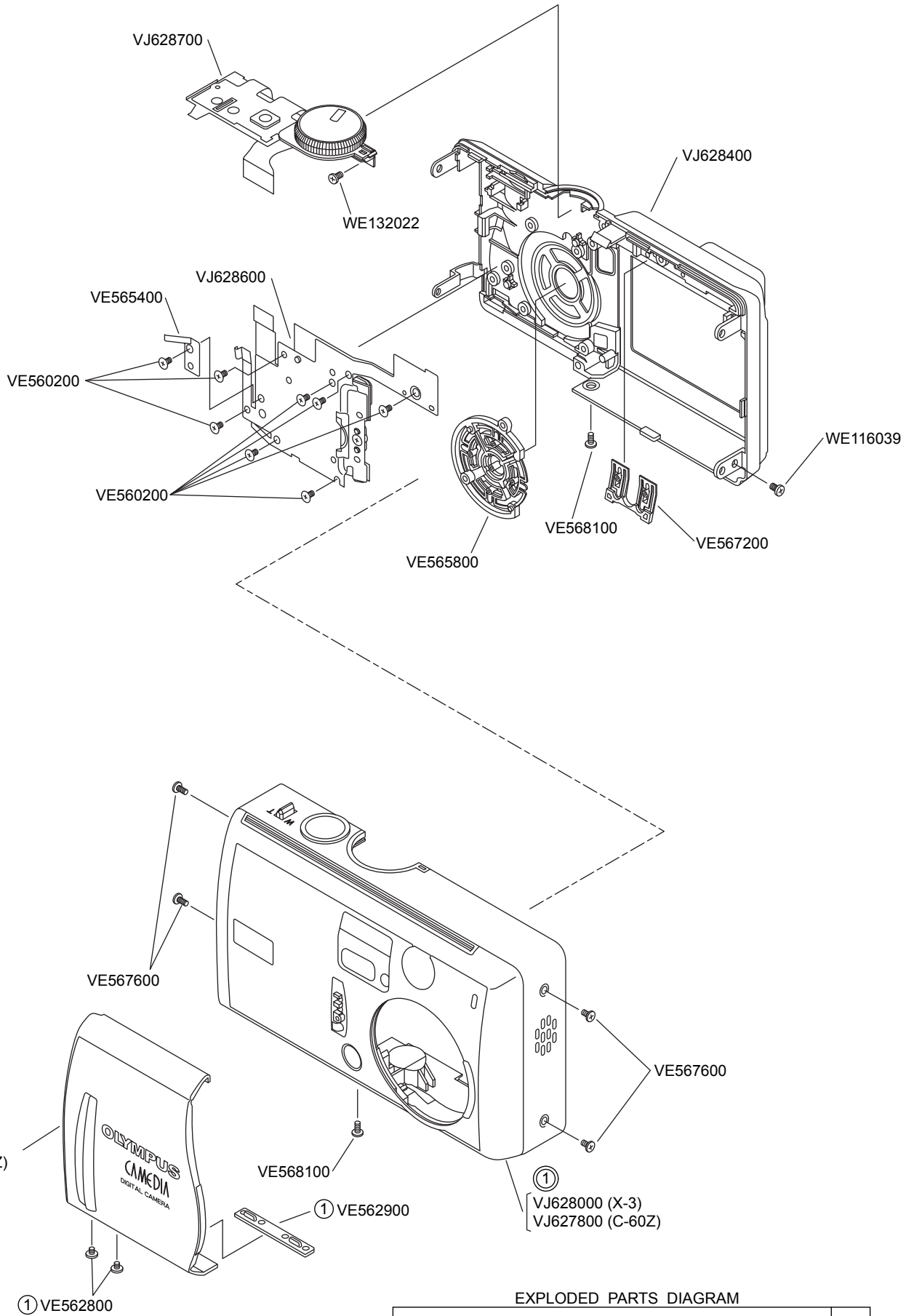
D

1

2

3

4



EXPLODED PARTS DIAGRAM

MODEL	FIG.
X-3/C-60ZOOM	1/2
OLYMPUS CORPORATION	

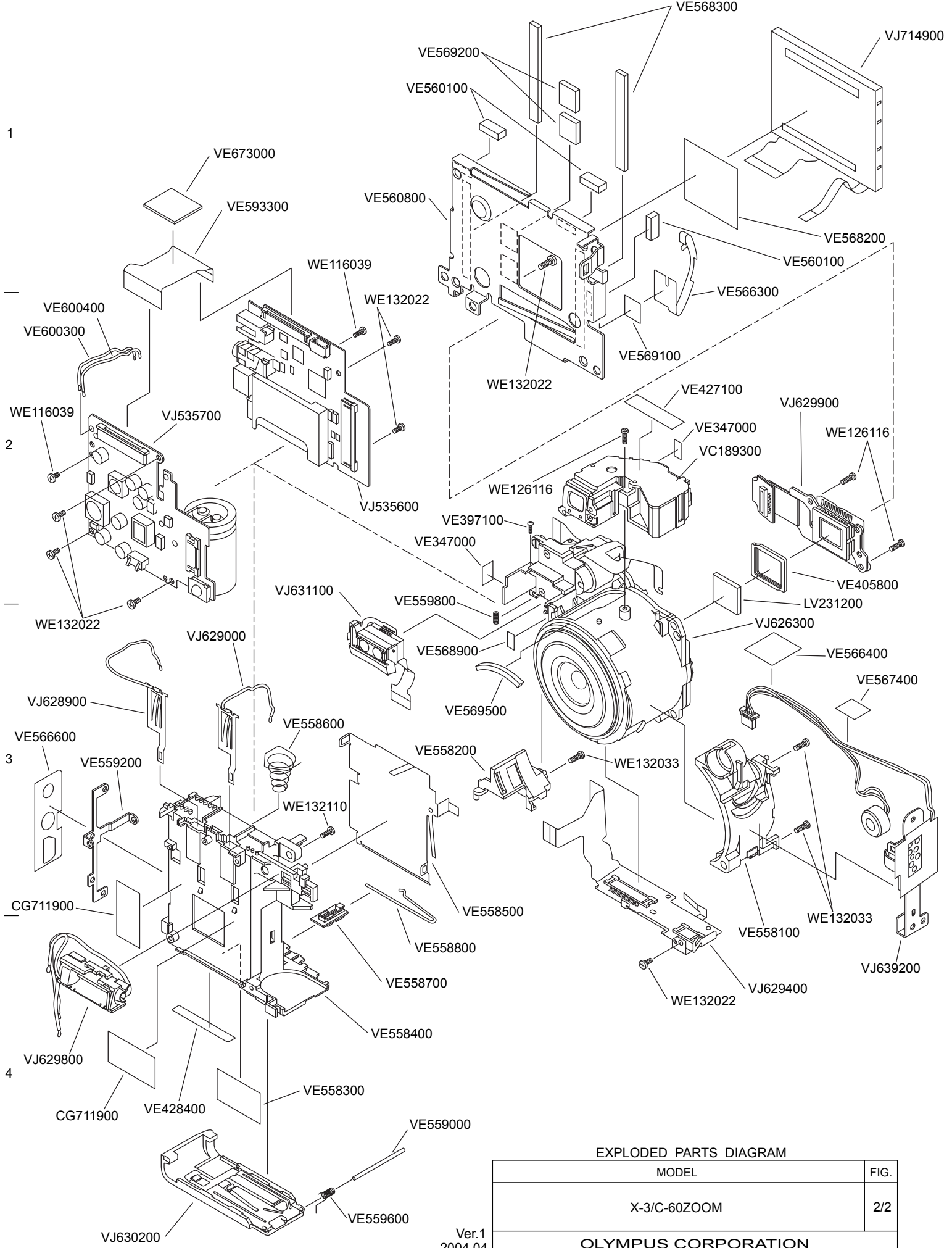
Ver.1
2004.04

A

B

C

D



EXPLODED PARTS DIAGRAM

MODEL	FIG.
X-3/C-60ZOOM	2/2
OLYMPUS CORPORATION	

Ver.1
2004.04

PARTS LIST

X-3 / C-60ZOOM

REF NO	PARTS NO	DESCRIPTION	REMARKS	NOTE
	CG711900	WTape	2-A3,2-A4	NEW
	LV231200	LPF-T	2-D2	NEW
	VC189300	Finder-Assy R	2-D2	
	VE347000	ZRTape2	2-C2,2-D2	
	VE397100	F-Screw1-0	2-C2	NEW
	VE405800	CRubber	2-D2	
	VE427100	LW-Tape	2-D2	NEW
	VE428400	NSM-Label	2-A4	
	VE558100	LensFrame1	2-D4	NEW
	VE558200	LensFrame2	2-C3	NEW
	VE558300	BatteryLabel	2-B4	NEW
	VE558400	BatteryFrame	2-B4	NEW
	VE558500	BatteryPlate	2-C3	NEW
	VE558600	BatterySpring	2-B3	NEW
	VE558700	BatteryLockLever	2-B4	NEW
	VE558800	BatteryLockSpring	2-C4	NEW
	VE559000	BatteryCoverShaft	2-B4	NEW
	VE559200	SidePlate	2-A3	NEW
	VE559600	BatteryCoverSpring	2-B4	NEW
	VE559800	PAF-Spring	2-C2	NEW
	VE560100	TFT-Sponge2	2-C1,2-D1	NEW
	VE560200	SW-HolderScrew	1-A2,1-B2	NEW
	VE560800	TFT-Plate	2-B1	NEW
	VE562800	BarrierScrew	1-B4	NEW
	VE562900	BarrierNut	1-C4	NEW
	VE565400	EMI-Spring	1-B2	NEW
	VE565800	ControlButton	1-C2	NEW
	VE566300	TFTContact	2-D2	NEW
	VE566400	DC3Tape	2-D3	NEW
	VE566600	JackSheet	2-A3	NEW
	VE567200	ModeButton	1-D2	NEW
	VE567400	SPTape	2-D3	NEW
	VE567600	DecorationScrew1	1-B3,1-D4	NEW
	VE568100	DecorationScrew2	1-B4,1-D2	NEW
	VE568200	TFT-ShieldTape	2-D1	NEW
	VE568300	TFT-Sponge	2-D1	NEW
	VE568900	PAF-Tape2	2-C3	NEW
	VE569100	TFT-ContactTape	2-D2	NEW
	VE569200	TFT-Sponge3	2-C1	NEW
	VE569500	LensSponge	2-C3	NEW
	VE593300	TOP-FPC	2-B1	NEW
	VE600300	VBAT-HS	2-A2	NEW
	VE600400	GND-HS	2-A2	NEW
	VE673000	ReleaseSpacer	2-B1	NEW
	VJ535600	MC-PCA	2-B2	NEW
	VJ535700	PW-PCA	2-A2	NEW
	VJ626300	Lens-Assy	2-D3	NEW
	VJ627600	Barrier-Assy (C-60Z)	1-A4	NEW
	VJ627800	FrontCabinet-Assy (C-60Z)	1-C4	NEW
	VJ627900	Barrier-Assy-J (X-3)	1-A4	NEW
	VJ628000	FrontCabinet-Assy-J (X-3)	1-C4	NEW
	VJ628400	BackCabinet-Assy	1-D1	NEW
	VJ628600	SW-FPC	1-B1	NEW

PARTS LIST

X-3 / C-60ZOOM

REF NO	PARTS NO	DESCRIPTION	REMARKS	NOTE
	VJ628700	MR-Assy	1-B1	NEW
	VJ628900	BatteryContact1-Assy	2-A3	NEW
	VJ629000	BatteryContact2-Assy	2-A3	NEW
	VJ629400	SID-FPC	2-D4	NEW
	VJ629800	FLReflector-Assy	2-A4	NEW
	VJ629900	CAM-FPC	2-D2	NEW
	VJ630200	BatteryCover-Assy	2-A4	NEW
	VJ631100	PAF-ASSY	2-B2	NEW
	VJ639200	SP-Assy	2-D4	NEW
	VJ714900	TFT-Unit	2-D1	NEW
	WE116039	3PUK1.6x2.5SN	1-D1,etc.	
	WE126116	PUTB1.6x4.5SN	2-C2,2-D2	
	WE132022	3PUTB1.6x3.5SN	1-C1,etc.	
	WE132033	3PUTB1.6x5SN	2-C3,2-D4	
	WE132110	3PUTB1.6x6.5SN	2-B3	NEW