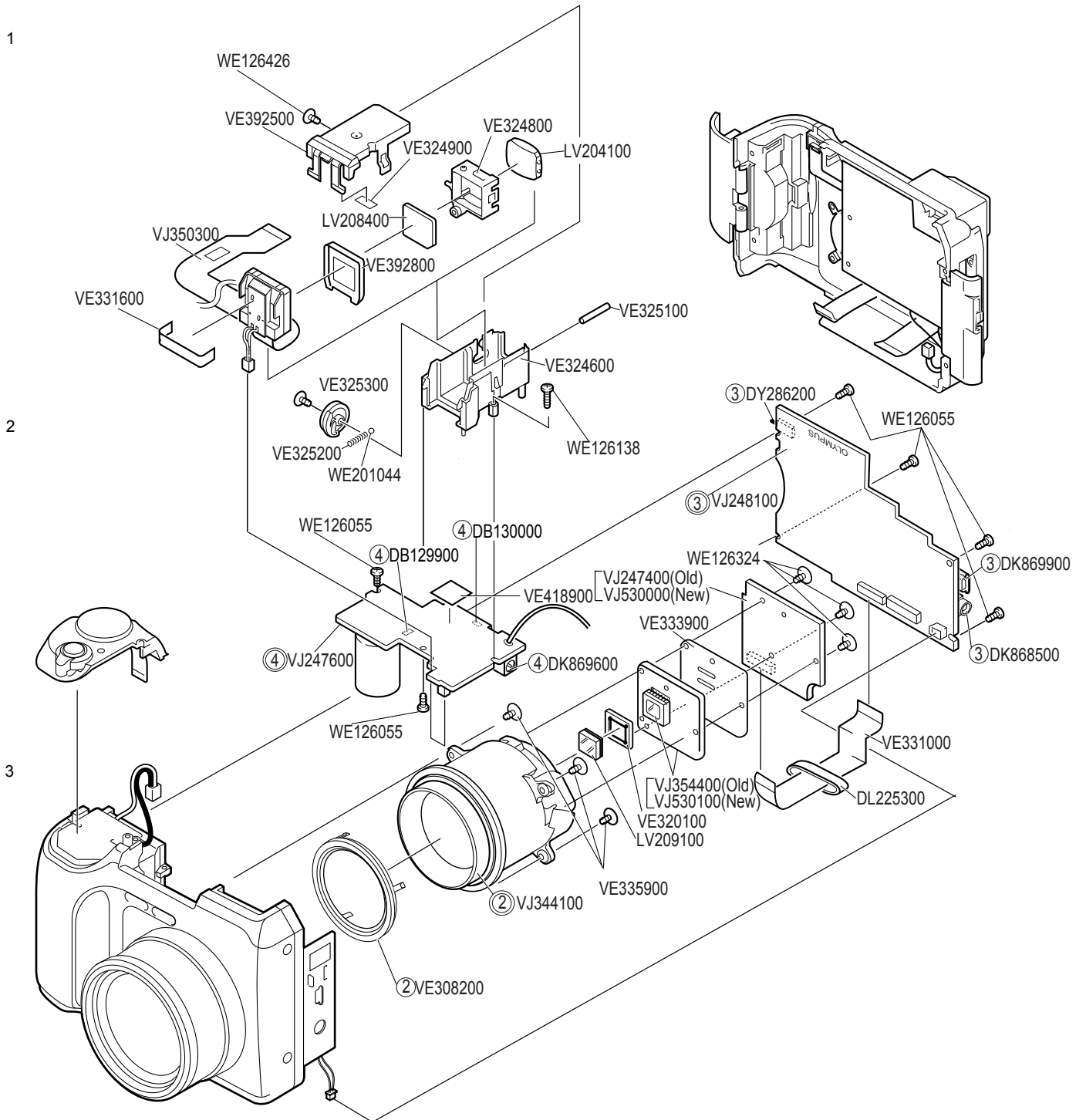


A

B

C

D



() No Master

EXPLODED PARTS DIAGRAM

MODEL	FIG.
C-720 Ultra Zoom	2/2
OLYMPUS OPTICAL CO.,LTD.TOKYO,JAPAN	

Ver.1/Rev.6

Ref No.	PARTS-No.	DESCRIPTION	Remarks	Note
	DB129900	FUSE:F200	PFL	NEW
	DB130000	FUSE:F100	PFL	NEW
	DK868500	TV-Jack	MC	NEW
	DK869600	DC-Jack	PFL	NEW
	DK869900	USB-Connecter	MC	NEW
	DL225300	HF70SH15*0.7-8	2-D3	NEW
	DY286200	PushSW	MC	NEW
	LV204100	LENS EVF	2-B1	
	LV208400	1-F	2-B1	NEW
	LV209100	LPF-T	2-C3	NEW
	VE308200	Hold-Ring	2-B3	NEW
	VE320100	SPACER	2-C3	
	VE322600	GRIP P	1-A4	
	VE322700	GRIP TAPE	1-A4	
	VE323700	BATTERY COVER	1-A4	
	VE323800	TERMINAL BATT A	1-A3	
	VE323900	TERMINAL BATT B	1-A3	
	VE324000	BATTERY COVER LOCK	1-A3	
	VE324400	GND BOARD	1-B4	
	VE324500	FrontRing	1-A4	NEW
	VE324600	CHASSIS EVF	2-C2	
	VE324800	HOLDER EVF LENS	2-B1	
	VE324900	PAD EVF TFT	2-B1	
	VE325100	SHAFT EVF LENS	2-C2	
	VE325200	SPRING DIAL	2-B2	
	VE325300	KNOB ROTARY	2-B2	
	VE326100	BATTERY INSULATOR1	1-A3	
	VE326200	BATTERY INSULATOR2	1-A2	
	VE327100	BUTTON	1-C1	
	VE327500	ACCESS WINDOW C	1-D1	
	VE327900	LCD_Holder	1-D2	NEW
	VE328000	Protect-film	1-D1	
	VE329500	JogDial	1-D1	NEW
	VE330100	GNDPlate2	1-B3	NEW
	VE331000	CTOM-FPCB	2-D3	NEW
	VE331500	GNDPlate3	1-B4	
	VE331600	EVF_Tape	2-A1	NEW
	VE332100	CardCover	1-D2	NEW
	VE332300	JackCover	1-C1	NEW
	VE332400	SHAFT CARD	1-D2	
	VE332500	SHAFT JACK	1-C1	
	VE333900	CCD_Sheet	2-C2	NEW
	VE334700	SPACER CABI BACK	1-C2	
	VE335900	SP-LensScrew	2-C3	NEW
	VE392500	FinderCover	2-B1	NEW
	VE392800	EVF_Shield2	2-B1	NEW
	VE418900	EVF_Shield	2-B2	NEW

Ref No.	PARTS-No.	DESCRIPTION	Remarks	Note
	VJ247400	Compl CCD-PCA	2-C2	NEW
	VJ247600	Compl PFL-PCA	2-B2	NEW
	VJ247700	BatteryBOX_ASSY	1-A3	NEW
	VJ248100	Compl MC-PCA	2-D2	NEW
	VJ343800	Back_FPCA	1-C1	NEW
	VJ344101	Lens_ASSY	2-B3	NEW
	VJ349000	FrontCab_ASSY	1-A4	NEW
	VJ349100	TopPanel_ASSY	1-B1	NEW
	VJ349200	Releas_ASSY	1-A2	NEW
	VJ350300	FinderLCD_ASSY	2-A2	NEW
	VJ350400	BackLCD_ASSY	1-D2	NEW
	VJ354400	CCD_ASSY	2-C3	NEW
	VJ366700	BuzzerBase_ASSY	1-B4	NEW
	VJ366800	FrontPanel_ASSY	1-A4	NEW
	VJ366900	BackCab_ASSY	1-D1	NEW
	VJ530000	Compl CCD-PCA-K	2-C2	NEW
	VJ530100	CCD_ASSY_K	2-C3	NEW
	WE126055	PUTB1.6*3.5SB		
	WE126101	PUTB1.6*3SN		
	WE126102	PUTB1.6*3.5SN		
	WE126138	PUTB1.6*8.5SN		
	WE126143	PUTB1.6*5SN		
	WE126229	PUTB1.6-235SN		
	WE126324	PUTB2*645SN		
	WE132029	PUTB1.6*2SN		
	WE132030	PUTB1.6*2.5SN		
	WE201044	B1.5UO		
	WE126423	PUTB1.6-730SN		NEW
	VE328100	T-Label(J)		NEW
	VE328200	T-Label(U)		NEW
	VE328300	T-Label(E)		NEW
	VE334300	T-Label(GP)		NEW
	VE335600	T-Label(GN)		NEW
	VE335700	T-Label(CC)		NEW