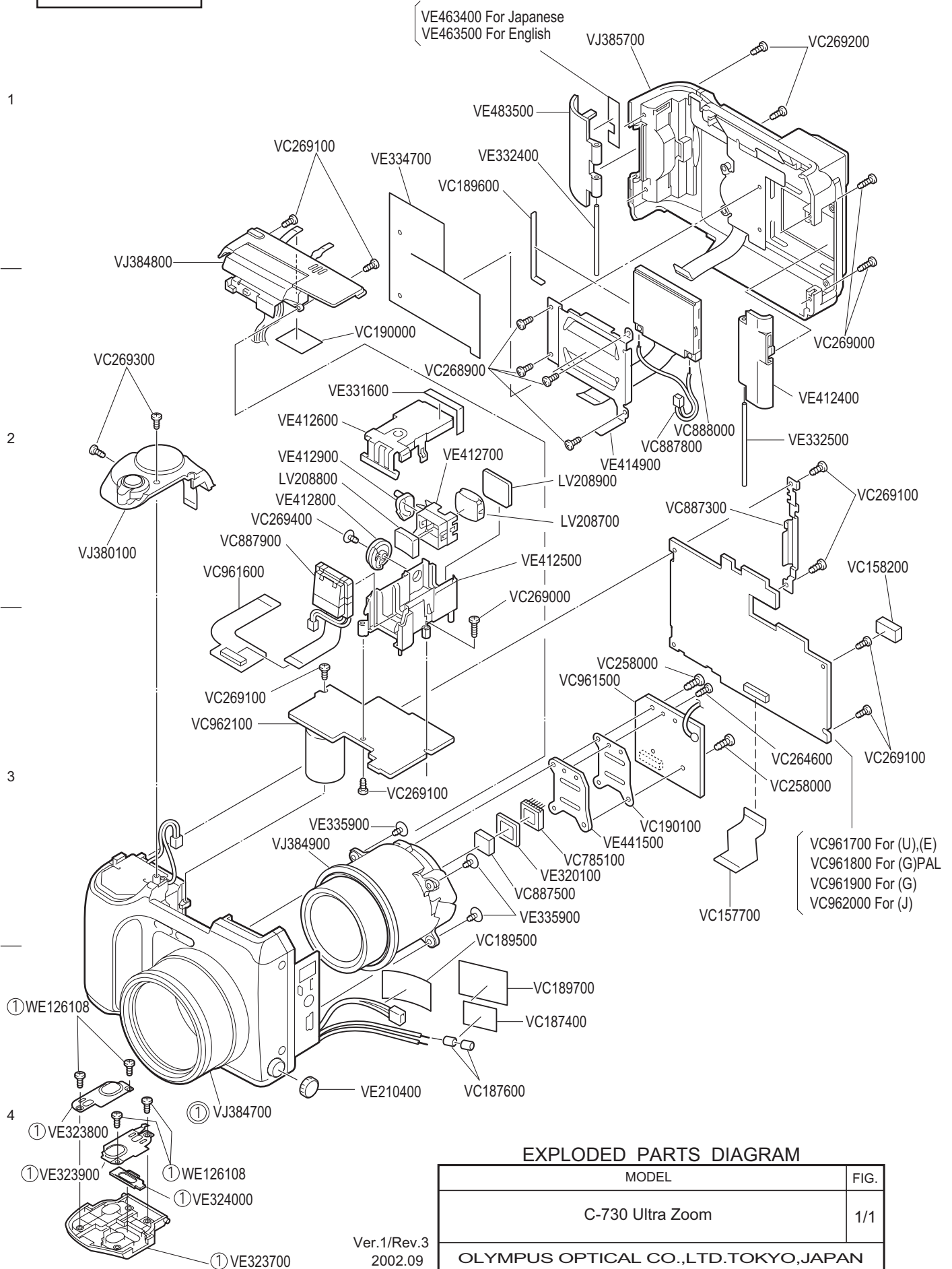


Cabinet 1



EXPLODED PARTS DIAGRAM

MODEL	FIG.
C-730 Ultra Zoom	1/1
OLYMPUS OPTICAL CO.,LTD.TOKYO,JAPAN	

Ver.1/Rev.3
2002.09

PARTS LIST

C-730Ultra Zoom

REF NO	PARTS NO	DESCRIPTION	REMARKS	NOTE
	LV208700	LENS EVF 2-T	C2	NEW
	LV208800	LENS EVF 1-O	B2	NEW
	LV208900	PANEL EVF 1-F	C2	NEW
	VC157700	FLEXIBLE PWB	D3	
	VC158200	PAD JACK HOLE	D2	
	VC187400	SPACER SYNCHRO STROBE	C4	
	VC187600	CORE,BEAD	C4	
	VC189500	SHILED TAPE	C3	NEW
	VC189600	PAD MONITOR	C1	NEW
	VC189700	SPACER	C4	NEW
	VC190000	SHILED TAPE A	B2	NEW
	VC190100	SPACER INSULATOR	C3	NEW
	VC258000	SCR S-TPG PAN 2X6	D3	
	VC264600	SCR PAN 2X2.5	D3	
	VC268900	SCR S-TPG PAN PCS 1.6X3	C2	
	VC269000	SCR S-TPG PAN PCS 1.6X8	D2	
	VC269100	SCR S-TPG PAN PCS 1.6X3.5	D2	
	VC269200	SCR S-TPG PAN PCS 1.6X5	D1	
	VC269300	SCR S-TPG PAN PCS 1.6X3.5	A2	
	VC269400	SPECIAL SCREW-1.6X3.0	B2	
	VC785100	CCD	C3	NEW
	VC887300	SHIELD CASE	D2	NEW
	VC887500	OPTICAL FILTER	C3	NEW
	VC887800	WIRE LCD	C2	NEW
	VC887900	LCD EVF	B2	NEW
	VC888000	LCD	D2	NEW
	VC961500	CA-1 COMPL PWB	C3	NEW
	VC961600	FLEXIBLE PWB EVF-CP1	B2	NEW
	VC961700	CP-1 COMPL PWB UE	D3	NEW
	VC961800	CP-1 COMPL PWB G(PAL)	D3	NEW
	VC961900	CP-1 COMPL PWB G(NTSC)	D3	NEW
	VC962000	CP-1 COMPL PWB J	D3	NEW
	VC962100	ST-1 COMPL PWB	B3	NEW
	VE210400	CAP STROBO	B4	
	VE320100	SPACER	C3	
	VE331600	SPACER EVF LOCK	B2	NEW
	VE332400	SHAFT CARD	C1	
	VE332500	SHAFT JACK	D2	
	VE334700	SPACER CABI BACK	B1	
	VE335900	SPECIAL SCREW-1.6X4.0	C3	NEW
	VE412400	JACK COVER	D2	NEW
	VE412500	EVF CHASSIS	C2	NEW
	VE412600	EVF COVER	B2	NEW
	VE412700	EVF LENS HOLDER	C2	NEW
	VE412800	ROTARY KNOB	B2	NEW
	VE412900	EVF CAM	B2	NEW
	VE414900	MONITOR HOLDER	C2	NEW
	VE441500	LENS MOUNTING	C3	NEW
	VE463400	CARD LABEL J	C1	NEW
	VE463500	CARD LABEL U	C1	NEW
	VE483500	CARD COVER	C1	NEW
	VJ380100	RELEASE UNIT	A2	NEW
	VJ384700	CABINET FRONT COMPL	A4	NEW

PARTS LIST

C-730Ultra Zoom

REF NO	PARTS NO	DESCRIPTION	REMARKS	NOTE
	VJ384800	STROBO UNIT	A1	NEW
	VJ384900	LENS(ASSY)	B3	NEW
	VJ385700	CABINET BACK ASSY	C1	NEW
	VE323700	BATTERY COVER	A4	
	VE323800	TERMINAL BATT A	A4	
	VE323900	TERMINAL BATT B	A4	
	VE324000	BATTERY COVER LOCK	A4	
	WE126108	PUTB1.6 X 2SN	A4	
	VC264700	SCR S-TPG PAN PCS 1.7X3.5	CP1	
R9515	VC300200	MT-GLAZE 0 ZA 1/10W	CP1	
R9536	VC304000	MT-GLAZE 390 JA 1/10W	CP1	
R9534	VC304700	MT-GLAZE 470 JA 1/10W	CP1	
R1546	VC311100	MT-GLAZE 0 ZA 1/16W	CP1	
C1071	VC478200	CERAMIC 0.1U K 25V	CP1	
Q9513	VC602900	TR 2SC4399-5	CP1	
Q1705	VC607800	TR 2SB1218A-R	CP1	
Q1507	VC609400	TR 2SA1745-7	CP1	
Q1507	VC609500	TR 2SA1745-6	CP1	
Q9513	VC614700	TR 2SC4399-4	CP1	
Q1705	VC618400	TR 2SA1576A-R	CP1	
Q1923	VC618600	TR 2SC4617 R	CP1	
Q1601	VC618700	TR DTC114EE	CP1	
Q9505	VC619300	TR CPH3109	CP1	
Q1304	VC619500	TR DTC144EE	CP1	
Q3004	VC620900	TR DTA114EE	CP1	
Q9509	VC621000	TR UMH10N	CP1	
Q1504	VC621400	TR 2SA1774 R	CP1	
Q1921	VC621500	TR DTA143ZE	CP1	
Q1922	VC621600	TR DTC143ZE	CP1	
Q1422	VC622800	TR DTA144EE	CP1	
Q3005	VC625700	TR DTC123EE	CP1	
Q9506	VC625800	TR DTC115EE	CP1	
Q1051	VC627900	TR 2SC5658-R	CP1	NEW
Q1051	VC628000	TR 2SC5658-S	CP1	NEW
Q1301	VC628100	TR EMH2	CP1	NEW
Q1305	VC628200	TR EMD3	CP1	NEW
Q1501	VC628300	TR EMT1	CP1	NEW
Q1502	VC628400	TR EMZ1	CP1	NEW
Q1802	VC628500	TR DTC114TE	CP1	NEW
D1601	VC652600	DIODE DAN202U	CP1	
D1601	VC655900	DIODE MA141WK	CP1	
IC955	VC742200	IC TC7W66FK	CP1	
IC183	VC746200	IC LMV321M7X	CP1	
IC951	VC746500	IC S-8520B33MC	CP1	
IC106	VC746800	IC SN74LV273ADB	CP1	
IC171	VC748800	IC LV4137W	CP1	
IC153	VC770100	IC TC7SH08FU	CP1	
IC103	VC780200	IC HM5212325FBPC-B60	CP1	
IC145	VC780400	IC TK11131CS	CP1	
IC101	VC780800	IC MB86838PBT2-G	CP1	
IC146	VC781800	IC MC74VHC1G02DF	CP1	
IC302	VC782100	IC NJU7285CV-TE1	CP1	
IC102	VC784000	IC KS6M1U1626CBP	CP1	

PARTS LIST

C-730Ultra Zoom

REF NO	PARTS NO	DESCRIPTION	REMARKS	NOTE
IC111	VC784800	IC BU2385KN	CP1	
IC121	VC785000	IC PROGRAM FLASH J	CP1	NEW
IC301	VC785200	IC MICRO PROCESSOR	CP1	NEW
IC301	VC785300	IC MICRO PROCESSOR	CP1	NEW
IC956	VC785400	IC LENS DRIVER	CP1	NEW
IC801	VC785500	IC CXA3272R	CP1	NEW
IC181	VC785600	IC BH6410KN	CP1	NEW
IC121	VC785700	IC PROGRAM FLASH G(NTSC)	CP1	NEW
IC121	VC785800	IC PROGRAM FLASH UE	CP1	NEW
IC152	VC786100	IC TK15465STB VIDEO AMP	CP1	NEW
IC142	VC786200	IC MC74VHC1G32DF	CP1	NEW
IC141	VC786300	IC MC74VHC1G08DF	CP1	NEW
IC121	VC786400	IC PROGRAM FLASH G(PAL)	CP1	NEW
S3001	VC863300	PUSH SWITCH 1P-1TX1	CP1	
JK112	VC866000	JACK,PHONE D3.6	CP1	
CN171	VC873300	SOCKET,FPC 24P	CP1	
CN182	VC873500	SOCKET,FPC 4P	CP1	
CN302	VC874100	SOCKET,FPC 18P	CP1	
CN952	VC874300	SOCKET,FPC 14P	CP1	
CN951	VC874400	SOCKET,FPC 16P	CP1	
CN120	VC875100	PLUG,2P	CP1	
X3001	VC876800	OSC,CERAMIC 4.00MHZ	CP1	
CN110	VC885400	SOCKET,USB 5P	CP1	
X3002	VC887400	CRYSTAL OSC 32.768KHZ	CP1	NEW
CN141	VC887600	CARD SOCKET TO SMART MEDIA	CP1	NEW
X1101	VC887700	CRYSTAL OSC 28.63636MHZ	CP1	NEW
	VC181400	SHILED TAPE CA3	CA1	
Q9001	VC603200	TR 2SC4081-R	CA1	
Q9001	VC607900	TR 2SD1819A-R	CA1	
Q9002	VC620700	TR 2SC3931-D	CA1	
D9001	VC652000	DIODE DSH015	CA1	
D9001	VC655800	DIODE MA141K	CA1	
IC909	VC780300	IC TK11130CS	CA1	
IC905	VC783800	IC AD9847AKST	CA1	
IC904	VC786000	IC CXD3440EN	CA1	NEW
	VC157800	SPACER ST1 SIDE-B	ST1	
	VC157900	SPACER ST1 SIDE-B2	ST1	
Q5405	VC614500	TR 2SD1624-S	ST1	
Q5405	VC614600	TR 2SD1624-T	ST1	
Q5401	VC618800	TR DTC123JE	ST1	
Q5007	VC618900	TR DTA114YE	ST1	
Q5001	VC619200	TR CPH3205	ST1	
Q5005	VC622000	TR 2SA2018	ST1	
Q5409	VC622100	TR CY25AAJ-8	ST1	
Q5012	VC625900	TR 3LN01S-TL	ST1	
Q5006	VC626600	TR EMH11	ST1	
Q5004	VC626700	TR EMD2	ST1	
Q5111	VC627500	TR UPA1915TE	ST1	
Q5011	VC627600	TR CPH5809	ST1	
Q5009	VC627700	TR TFDC640P	ST1	
Q5021	VC627800	TR CPH3214	ST1	NEW
D5405	VC628600	TY CR08AS-12-BT13 207	ST1	NEW
PR502	VC775400	FUSE 32V 1.5A	ST1	

PARTS LIST

C-730Ultra Zoom

REF NO	PARTS NO	DESCRIPTION	REMARKS	NOTE
IC501	VC782000	IC FA7708R	ST1	
IC503	VC785900	IC TK11840L	ST1	NEW
T5401	VC861800	TRANS,STEP UP	ST1	
PR501	VC865800	FUSE 32V 2A	ST1	
PR503	VC865900	FUSE 32V 1A	ST1	
CN503	VC873400	PLUG,2P	ST1	
JK501	VC884000	SOCKET,DC	ST1	
T5001	VC887200	PULSE POWER TRANS	ST1	NEW
	VE4150	SERIAL LABEL J (made in Japan)		
	VE4151	SERIAL LABEL Jk (made in Korea)		
	VE4152	SERIAL LABEL U (made in Japan)		
	VE4153	SERIAL LABEL Uk (made in Korea)		
	VE4154	SERIAL LABEL EG (made in Japan)		
	VE4155	SERIAL LABEL Ek (made in Korea)		
	VE4549	SERIAL LABEL Cc (made in China)		