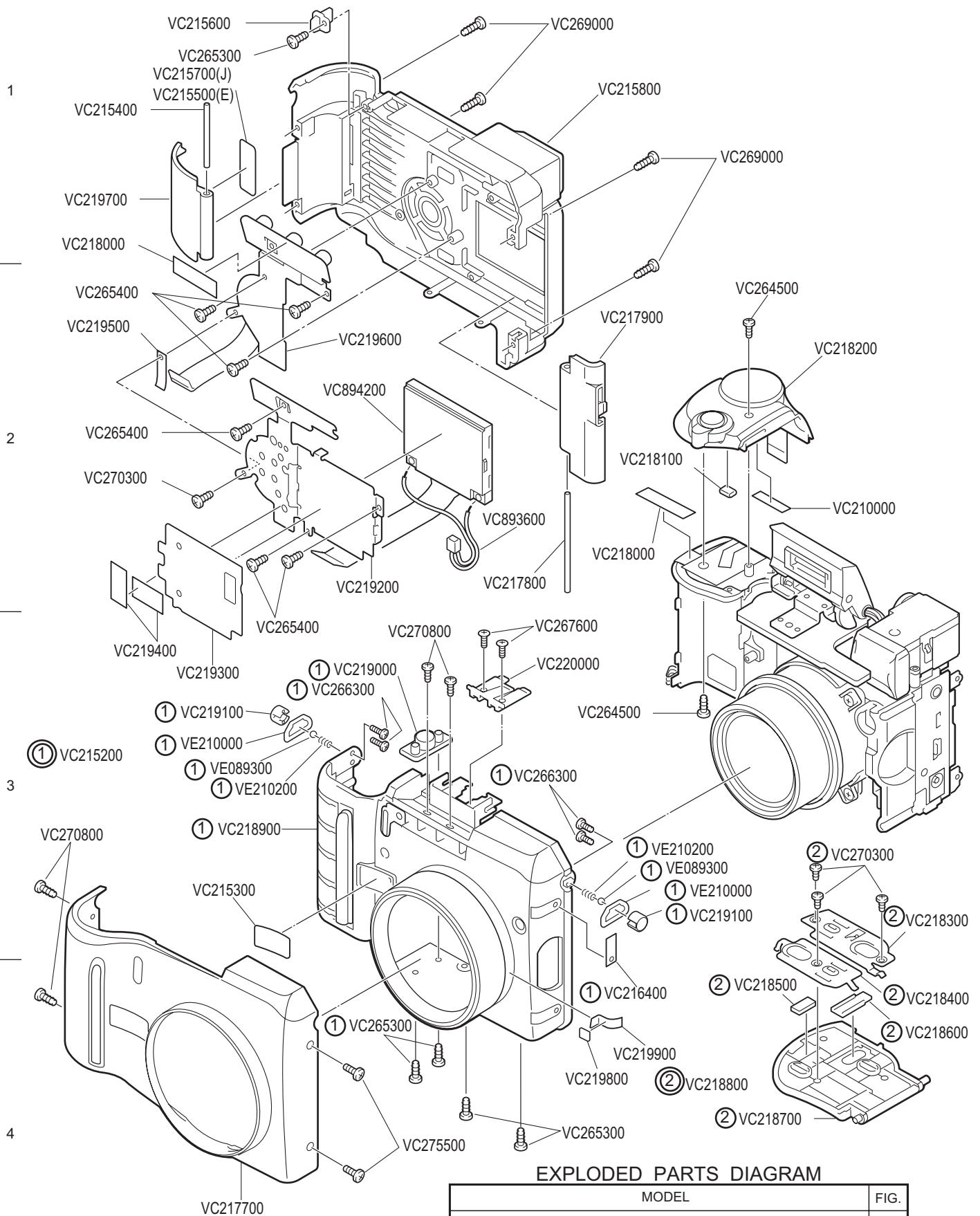


A

B

C

D

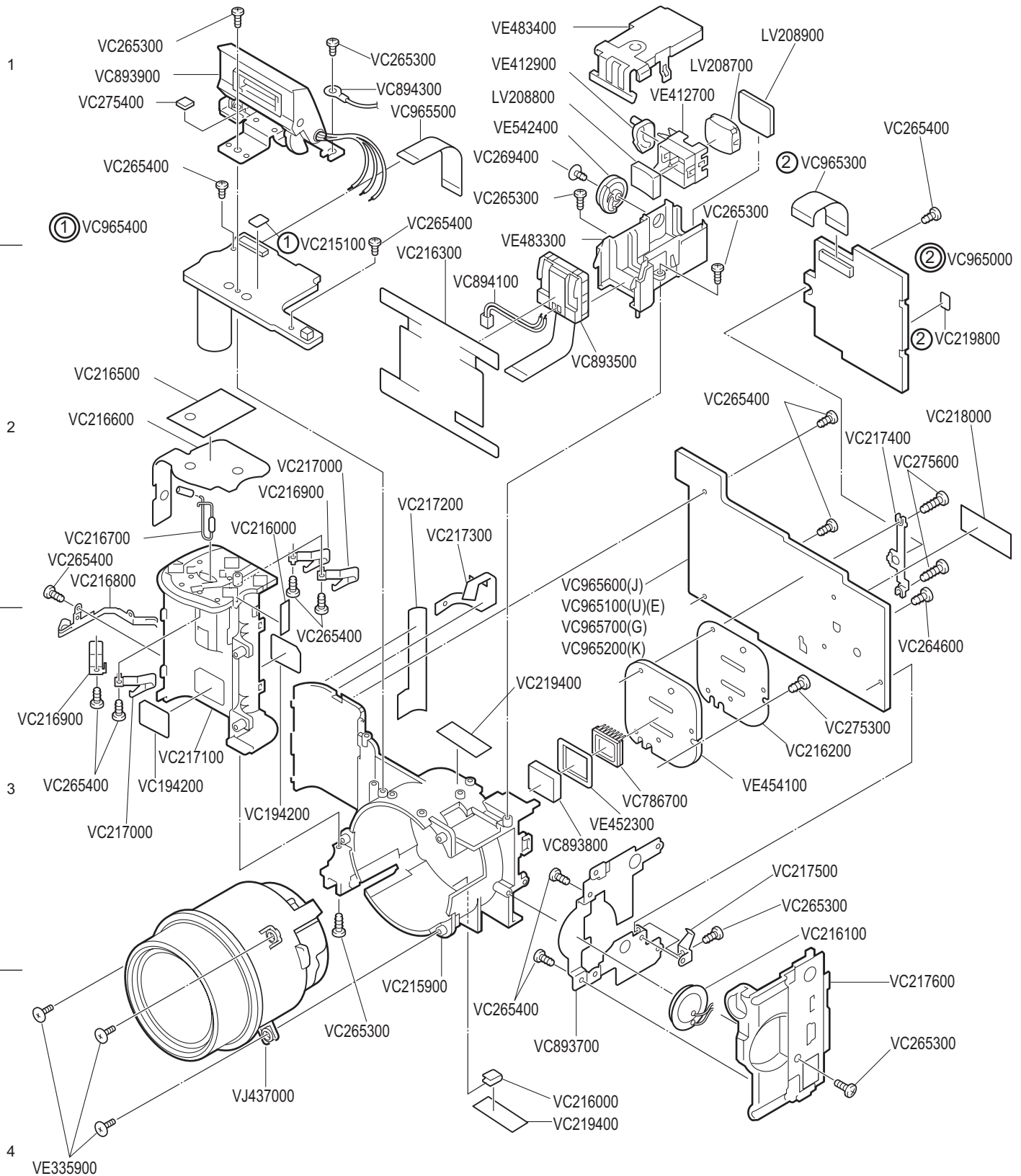


A

B

C

D



EXPLODED PARTS DIAGRAM

| MODEL | FIG. |
|-------------------------------------|------|
| C-740 Ultra Zoom | 2/2 |
| OLYMPUS OPTICAL CO.,LTD.TOKYO,JAPAN | |

Ver.1
2003.03

PARTS LIST

C-740Ultra Zoom

| REF NO | PARTS NO | DESCRIPTION | REMARKS | NOTE |
|--------|----------|--------------------|-----------|------|
| | LV208700 | LENS EVF 2-T | 2-C1 | |
| | LV208800 | LENS EVF 1-O | 2-C1 | |
| | LV208900 | LENS EVF 1-F | 2-D1 | NEW |
| | VC194200 | BATTERY LABEL | 2-A3,2-B3 | |
| | VC210000 | ADHESIVE COV FLASH | 1-D2 | |
| | VC215100 | PAD3 | 2-B1 | NEW |
| | VC215200 | FRONT COVER UNIT | 1-A3 | NEW |
| | VC215300 | X10 PLATE | 1-A3 | NEW |
| | VC215400 | CARD SHAFT | 1-A1 | NEW |
| | VC215500 | CARD LABEL (E) | 1-A1 | NEW |
| | VC215600 | CARD ACCESS | 1-A1 | NEW |
| | VC215700 | LABEL CARD (J) | 1-A1 | NEW |
| | VC215800 | BACK COVER | 1-C1 | NEW |
| | VC215900 | LENS HOLDER | 2-B4 | NEW |
| | VC216000 | SPACER BS | 2-A2 | NEW |
| | VC216100 | SPEAKER | 2-D3 | NEW |
| | VC216200 | INSULATOR SHEET | 2-D3 | NEW |
| | VC216300 | SPACER EVF | 2-B2 | NEW |
| | VC216400 | SHIELD TAPE S | 1-C4 | NEW |
| | VC216500 | SPACER SB | 2-A2 | NEW |
| | VC216600 | SPACER BT | 2-A2 | NEW |
| | VC216700 | PROTECTOR | 2-A2 | NEW |
| | VC216800 | EARTH CONTACT B | 2-A2 | NEW |
| | VC216900 | BATTERY TERMINAL A | 2-B2,2-A3 | NEW |
| | VC217000 | BATTERY TERMINAL B | 2-B2,2-A3 | NEW |
| | VC217100 | BATTERY HOLDER | 2-A3 | NEW |
| | VC217200 | SHIELD TAPE C | 2-B2 | NEW |
| | VC217300 | SHIELD TAPE D | 2-B2 | NEW |
| | VC217400 | PW1HOLDER | 2-D2 | NEW |
| | VC217500 | EARTH CONTACT A | 2-D3 | NEW |
| | VC217600 | SPEAKER COVER | 2-D4 | NEW |
| | VC217700 | FRONT COVER | 1-A4 | NEW |
| | VC217800 | TERMINAL SHAFT | 1-C2 | NEW |
| | VC217900 | TERMINAL COVER | 1-C2 | NEW |
| | VC218000 | SPACER F | 1-C2 | NEW |
| | VC218100 | PAD 2 | 1-C2 | NEW |
| | VC218200 | DIAL UNIT | 1-D2 | NEW |
| | VC218300 | BC TERMINAL B | 1-D3 | NEW |
| | VC218400 | BC TERMINAL A | 1-D4 | NEW |
| | VC218500 | BC SPACER | 1-D4 | NEW |
| | VC218600 | BC KNOB | 1-D4 | NEW |
| | VC218700 | BC FRAME | 1-D4 | NEW |
| | VC218800 | BATTERY COVER | 1-C4 | NEW |
| | VC218900 | FRONT COVER FRAME | 1-A3 | NEW |
| | VC219000 | STAND | 1-B3 | NEW |
| | VC219100 | STRAP MOUNT | 1-A3,1-C3 | NEW |
| | VC219200 | LCD HOLDER | 1-B2 | NEW |
| | VC219300 | SPACER A | 1-A3 | NEW |
| | VC219400 | SPACER B | 1-A3,2-C4 | NEW |
| | VC219500 | SHIELD TAPE B | 1-A2 | NEW |
| | VC219600 | CONTROL UNIT | 1-B2 | NEW |
| | VC219700 | CARD COVER | 1-A1 | NEW |
| | VC219800 | PAD 1 | 1-C4 | NEW |

Rev.3
Ver.1

PARTS LIST

C-740Ultra Zoom

| REF NO | PARTS NO | DESCRIPTION | REMARKS | NOTE |
|--------|----------|-----------------------|-----------|------|
| | VC219900 | SHIELD TAPE F | 1-C4 | NEW |
| | VC220000 | FLASH HOLDER | 1-C4 | NEW |
| | VC264500 | SCREW 1.7X4 | 1-D2 | |
| | VC264600 | SCREW 2X2.5 | 2-D3 | |
| | VC265300 | SCREW 1.7X4 | 2-B1,2-C1 | |
| | VC265400 | SCREW 1.7X3 | 1-A2 | |
| | VC266300 | S SCREW 1.4X5 | 1-B3,1-C3 | |
| | VC267600 | SCREW 1.6X3.5 | 1-C3 | |
| | VC269000 | SCREW1.6X8 | 1-C1,1-D1 | |
| | VC269400 | S SCREW 1.6X3.0 | 2-B1 | |
| | VC270300 | SCREW 1.7X2.5 | 1-D3,1-A2 | |
| | VC270800 | SCREW 1.7X6 | 1-A3 | |
| | VC275300 | SCREW 2X4 | 2-D3 | |
| | VC275400 | SPACER T | 2-A1 | NEW |
| | VC275500 | SCREW 1.7X5 | 1-B4 | NEW |
| | VC275600 | SCREW 2X6 | 2-D2 | NEW |
| | VC775400 | FUSE 32V 1.5A | CP1 | |
| | VC786700 | CCD | 2-C3 | NEW |
| | VC859800 | VIDEO SOCKET | CP1 | |
| | VC865800 | FUSE 32V 2A | CP1 | |
| | VC865900 | FUSE 32V 1A | CP1 | |
| | VC884000 | DC SOCKET | CP1 | |
| | VC885400 | USB SOCKET | CP1 | |
| | VC892600 | CARD SWITCH | CP1 | |
| | VC893500 | EVF LCD | 2-C2 | NEW |
| | VC893600 | LCD WIRE | 1-C2 | NEW |
| | VC893700 | SPEAKER HOLDER | 2-C4 | NEW |
| | VC893800 | OPTICAL FILTER | 2-C3 | NEW |
| | VC893900 | FLASH UNIT | 2-A1 | NEW |
| | VC894000 | DETECTOR SWITCH | ST1 | NEW |
| | VC894100 | EVF LCD WIRE | 2-B2 | NEW |
| | VC894200 | LCD | 1-B2 | NEW |
| | VC894300 | TERMINAL CORD | 2-B1 | NEW |
| | VC965000 | PW-1 PWB | 2-D2 | NEW |
| | VC965100 | CP-1 PWB UE | 2-C2 | NEW |
| | VC965200 | CP-1 PWB K | 2-C3 | NEW |
| | VC965300 | CP1-PW1 FPC | 2-D1 | NEW |
| | VC965400 | ST-1 PWB | 2-A1 | NEW |
| | VC965500 | CP1-ST1 FPC | 2-B1 | NEW |
| | VC965600 | CP-1 PWB J | 2-A4 | NEW |
| | VC965700 | CP-1 PWB G | 2-C3 | NEW |
| | VE089300 | CLICK BALL | 1-A3,1-C3 | |
| | VE210000 | STRAP HOOK | 1-A3,1-C3 | |
| | VE210200 | CLICK SPRING | 1-B3,1-C3 | |
| | VE335900 | SPECIAL SCREW-1.6X4.0 | 2-A4 | |
| | VE412700 | EVF LENS HOLDER | 2-C1 | |
| | VE412900 | EVF COM | 2-C1 | |
| | VE452300 | FILTER SPACER | 2-C3 | NEW |
| | VE454100 | LENS MOUNT | 2-D3 | NEW |
| | VE483300 | F HOLDER | 2-C1 | NEW |
| | VE483400 | F COVER | 2-C1 | NEW |
| | VE542400 | DIOPTOR DIAL | 2-C1 | NEW |
| | VJ437000 | LENS UNIT | 2-A4 | NEW |

Rev.3
Ver.1

PARTS LIST

C-740Ultra Zoom

| REF NO | PARTS NO | DESCRIPTION | REMARKS | NOTE |
|--------|----------|---|---------|------|
| | VT4553 | Rated Label J (For JO, made in Japan) | | NEW |
| | VT4555 | Rated Label EG (For EXO/GXO/PXO, made in Japan) | | NEW |
| | VT4556 | Rated Label Cc (For CO, made in China) | | NEW |
| | VT4557 | Rated Label Jk (For JO, made in Korea) | | NEW |
| | VT4558 | Rated Label Uk (For UO, made in Korea) | | NEW |
| | VT4559 | Rated Label Ek (For EXO/PXO, made in Korea) | | NEW |
| | VT4721 | Rated Label G2k (For GXO 2/2, made in Korea) | | NEW |
| | VT5125 | Rated Label G2c (For GXO 2/2, made in China) | | NEW |
| | VT5140 | Rated Label Jc (For JO, made in China) | | NEW |
| | VT5141 | Rated Label Uc (For UO, made in China) | | NEW |
| | VT5142 | Rated Label Ec (For EXO/PXO, made in China) | | NEW |
| | VT5143 | Rated Label G1 (For GXO 1/2) | | NEW |