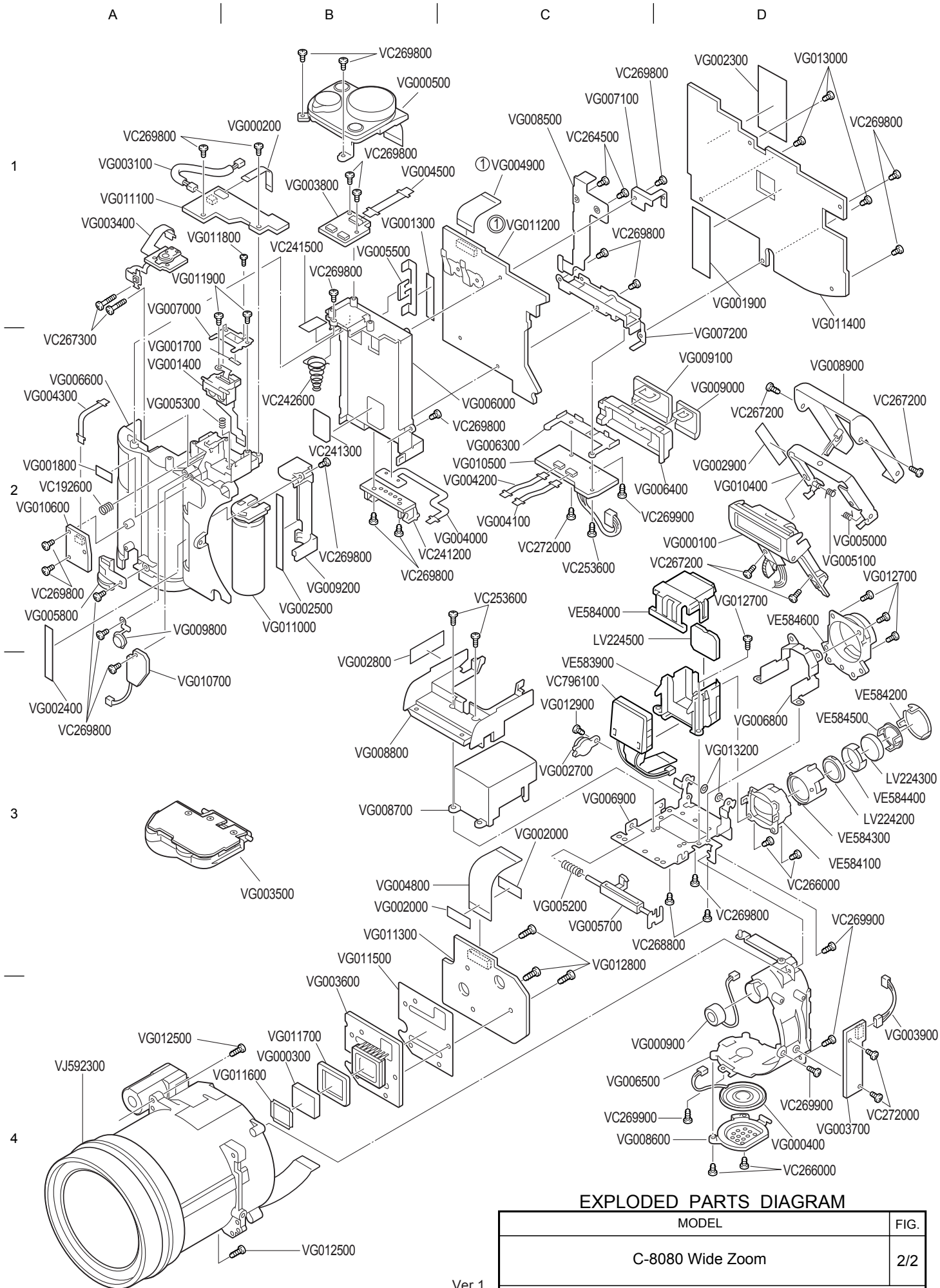


**EXPLODED PARTS DIAGRAM**

MODEL	FIG.
C-8080 Wide Zoom	1/2
OLYMPUS CORPORATION	

Ver.1  
2004.03



**EXPLODED PARTS DIAGRAM**

MODEL	FIG.
C-8080 Wide Zoom	2/2
OLYMPUS CORPORATION	

Ver.1  
2004.03

## PARTS LIST

C-8080 Wide Zoom

REF NO	PARTS NO	DESCRIPTION	REMARKS	NOTE
	LV224200	1-O LENS	2-D3	NEW
	LV224300	2-T LENS	2-D3	NEW
	LV224400	1-F LENS	1-D3	NEW
	LV224500	2-F LENS	2-C2	NEW
	VC190900	BACK FPC COVER	1-C2	
	VC192600	AF LED SPRING	2-A2	
	VC193000	CARD SHAFT	1-A1	
	VC194700	FPC SHAFT	1-C1	
	VC195000	EARTH CABI	1-C4	
	VC241200	COVER TERMINAL	2-B2	
	VC241300	LABEL BATTERY	2-B2	
	VC241500	SPACER C SPRING	2-B1	
	VC242600	SPRING C BATT	2-B2	
	VC246300	COVER STAND C	1-B2,etc.	
	VC250300	SCR PAN PCS 2X3	1-B3,1-B4	
	VC253300	SCR PAN PCS 1.7X2.5	1-D1	
	VC253600	SCR PAN PCS 1.7X4	2-C2	
	VC253800	SCR PAN PCS 1.7X6	1-B3	
	VC264500	SCREW 1.7X4	2-C1	
	VC266000	SCR S-TPG PAN PCS 1.7X3.5	1-C1,etc.	
	VC266700	SCR PAN PCS 1.7X7	1-C2	
	VC267200	SCR S-TPG PAN PCS 1.7X5	1-D2,2-D2	
	VC267300	SECIAL SCREW-1.7X9.0	2-A2	
	VC268800	SCR PAN PCS 1.7X3	2-D3	
	VC269800	SCR S-TPG PAN PCS 1.7X3.5	1-A1,etc.	
	VC269900	SCR S-TPG PAN PCS 1.7X4.5	2-D2,etc.	
	VC270500	SCR S-TPG PAN PCS 1.4X4.0	1-B2	
	VC272000	SCR S-TPG PAN PCS 1.7X3.0	2-C2,2-D4	
	VC272100	SCR PAN PCS 1.4X4.0	1-C3	
	VC272700	SCR FLT PCS 1.6X5	1-B1	
	VC272800	SPECIAL SCREW 1.7X3.5	1-C2,1-C4	
	VC272900	SPECIAL SCREW-1.7X3.5	1-C1,etc.	
	VC796100	EVF	2-C3	
F5001	VC796600	FUSE 32V 6A	PW1	
F5002	VC796700	FUSE 32V 2A	PW1	
F5003	VC796700	FUSE 32V 2A	PW1	
F5005	VC796700	FUSE 32V 2A	PW1	
F5006	VC796700	FUSE 32V 2A	PW1	
F5007	VC796700	FUSE 32V 2A	PW1	
	VC799600	TERMINAL BATT	PW1	
S6601	VC861500	"SWITCH,PUSH"	TB4	
S6202	VC861500	"SWITCH,PUSH"	TB4	
S6203	VC861500	"SWITCH,PUSH"	TB4	
S6204	VC861500	"SWITCH,PUSH"	TB4	
S6205	VC861500	"SWITCH,PUSH"	TB4	
S6206	VC861500	"SWITCH,PUSH"	TB4	
S6207	VC861500	"SWITCH,PUSH"	TB4	
S6208	VC861500	"SWITCH,PUSH"	TB4	
JK601	VC866000	JACK,PHONE D3.6	AV JACK	TB1
S6901	VC876500	SWITCH,PUSH	TB7	
S6902	VC876500	SWITCH,PUSH	TB7	
Z3001	VC880300	BACKUP BATTERY	CP1	
JK602	VC884000	DC SOCKET	TB1	

## PARTS LIST

C-8080 Wide Zoom

REF NO	PARTS NO	DESCRIPTION	REMARKS	NOTE
S3001	VC892600	SWITCH,DETECTOR 1P-1T	CP1	
S5401	VC894000	DETECTOR SWITCH	ST1	
	VE089300	CLICK BALL	1-D3	
	VE147700	STAND	1-B3	
	VE253700	X COVER 42	1-C1	
	VE255800	HOLDER TERMINAL H	1-B1	
	VE255900	SPRING TERMINAL H	1-B1	
	VE583900	FINDER BASE	2-C3	NEW
	VE584000	FINDER COVER	2-C2	NEW
	VE584100	FINDER FRAME	2-D3	NEW
	VE584200	FRAME HOLDER	2-D3	NEW
	VE584300	FINDER LENS FRAME	2-D3	NEW
	VE584400	1-O HOLDER	2-D3	NEW
	VE584500	2-T HOLDER	2-D3	NEW
	VE584600	EYE PIECE HOLDER	2-D2	NEW
	VE584700	DIOPTER RING	1-D3	NEW
	VE584800	1-F FRAME	1-D3	NEW
	VE584900	1-F HOLDER	1-D3	NEW
	VE585000	FINDER RUBBER	1-D2	NEW
	VE585100	DIOPTER SPRING	1-D3	NEW
	VE662300	STRAP MOUNT	1-B1,1-C2	NEW
	VG000100	FLASH UNIT	2-D2	NEW
	VG000200	FLEXIBLE FLAT CABLE	2-B1	NEW
	VG000300	LPF	2-B4	NEW
	VG000400	SPEAKER	2-D4	NEW
	VG000500	MODE-DIAL UNIT	2-B1	NEW
	VG000600	CONTROL UNIT	1-B2	NEW
	VG000700	CMD UNIT	1-C1	NEW
	VG000800	SHUTTER BUTTON UNIT	1-A3	NEW
	VG000900	MICROPHONE	2-D4	NEW
	VG001000	CF HOLDER	CP1	NEW
	VG001100	LCD	1-D1	NEW
CN141	VG001200	XD SOCKET	CP1	NEW
	VG001300	CARD SPRING SPACER	2-B1	NEW
	VG001400	PAF HOLDER	2-A2	NEW
	VG001700	PAF PLATE SPACER	2-A2	NEW
	VG001800	ST2 WIRE SPACER	2-A2	NEW
	VG001900	CP1 SPACER	2-D1	NEW
	VG002000	SHIELD TAPE	2-B3,C2-3	NEW
	VG002100	FPC BTM COVER	1-D2	NEW
	VG002200	RING UNIT	1-A4	NEW
	VG002300	XD SPACER	2-D1	NEW
	VG002400	WIRE SPACER	2-A3	NEW
	VG002500	ST2 SPACER	2-B2	NEW
	VG002600	PW1-TB1 FPC	TB1	NEW
	VG002700	DAMPER	2-C3	NEW
	VG002800	FLASH BASE COVER SPACER	2-B3	NEW
	VG002900	HOLDER SPACER	2-D2	NEW
	VG003000	TB3 SPACER	1-D1,1-D2	NEW
	VG003100	PW1-ST1 WIRE	2-A1	NEW
	VG003200	LCD SPACER	1-D1	NEW
	VG003300	CARD LABEL	1-A1	NEW
	VG003400	HOT SHOE UNIT	2-A1	NEW

## PARTS LIST

C-8080 Wide Zoom

REF NO	PARTS NO	DESCRIPTION	REMARKS	NOTE
	VG003500	BATTERY COVER UNIT	2-B3	NEW
	VG003600	CCD UNIT	2-B4	NEW
	VG003700	TB7 PWB	2-D4	NEW
	VG003800	TB6 PWB	2-B1	NEW
	VG003900	CP1-TB7 WIRE	2-B1,2-D4	NEW
	VG004000	FLEXIBLE OUTSIDE TERMINAL	2-C2	NEW
	VG004100	USB-CP1 FPC	2-C2	NEW
	VG004200	AV-CP1 FPC	2-C2	NEW
	VG004300	TB5-TB6 FPC	2-A2	NEW
	VG004400	CP1-TB3 FPC	1-D2	NEW
	VG004500	CP1-TB6 FPC	2-B1	NEW
	VG004600	CP1-TB2 FPC	1-A2	NEW
	VG004700	PW1-CP1 FPC	PW1	NEW
	VG004800	CP1-CA1 FPC	2-B3	NEW
	VG004900	CP1-PW1 FPC	2-C1	NEW
	VG005000	POP-UP SPRING R	2-D2	NEW
	VG005100	POP-UP SPRING L	2-D2	NEW
	VG005200	POP-UP SPRING	2-C3	NEW
	VG005300	PAF SPRING	2-A2	NEW
	VG005500	CARD PLATE SPRING	2-B1	NEW
	VG005700	POP-UP LEVER	2-C3	NEW
	VG005800	BATTERY LOCK LEVER	2-A2	NEW
	VG006000	BATTERY HOLDER	2-C2	NEW
	VG006100	FRONT HOLDER	1-C3	NEW
	VG006200	CARD HOLDER	1-A2	NEW
	VG006300	TB1 HOLDER	2-C2	NEW
	VG006400	JACK HOLDER	2-D2	NEW
	VG006500	LENS HOLDER	2-D4	NEW
	VG006600	HOLDER CHASSIS	2-A2	NEW
	VG006700	LCD HOLDER	1-D2	NEW
	VG006800	EVF HOLDER	2-D3	NEW
	VG006900	FLASH BASE	2-C3	NEW
	VG007000	PAF PLATE HOLDER	2-A1	NEW
	VG007100	EARTH B	2-C1	NEW
	VG007200	EARTH A	2-D2	NEW
	VG007300	LCD DEC	1-D1	NEW
	VG007400	PAF DEC	1-A3	NEW
	VG007500	ACCESS LED DEC	1-A2	NEW
	VG007600	SELF-TIMER DEC	1-C3	NEW
	VG007700	AF ILLUMINATOR DEC	1-C3	NEW
	VG007800	RING COVER	1-A4	NEW
	VG007900	FPC TOP COVER	1-D1	NEW
	VG008000	JOINT COVER	1-D2	NEW
	VG008100	LCD FRONT COVER	1-D1	NEW
	VG008200	LCD BACK COVER	1-D2	NEW
	VG008400	CARD COVER	1-A1	NEW
	VG008500	PW1 COVER	2-C1	NEW
	VG008600	SPEAKER COVER	2-D4	NEW
	VG008700	EVF COVER	2-B3	NEW
	VG008800	FLASH BASE COVER	2-B3	NEW
	VG008900	FLASH COVER	2-D2	NEW
	VG009000	DC JACK COVER	2-D2	NEW
	VG009100	USB COVER	2-D2	NEW

## PARTS LIST

C-8080 Wide Zoom

REF NO	PARTS NO	DESCRIPTION	REMARKS	NOTE
	VG009200	ST2 COVER	2-B2	NEW
	VG009300	GRIP COVER	1-A4	NEW
	VG009400	STAND COVER	1-B3,1-B4	NEW
	VG009500	BACK COVER	1-C2	NEW
	VG009600	FRONT COVER	1-A3	NEW
	VG009700	POP-UP BUTTON	1-D4	NEW
	VG009800	AEL BUTTON	2-A2	NEW
	VG009900	SELF-TIMER BUTTON	1-C1	NEW
	VG010000	BACK BUTTON	1-A2	NEW
	VG010100	WB BUTTON	1-C4	NEW
	VG010300	JOINT UNIT	1-C1	NEW
	VG010400	FLASH HOLDER	2-D2	NEW
	VG010500	TB1 PWB	2-C2	NEW
	VG010600	TB5 PWB	2-A2	NEW
	VG010700	TB4 PWB	2-A3	NEW
	VG010800	TB3 PWB	1-D1	NEW
	VG010900	TB2 PWB	1-A2	NEW
	VG011000	ST2 PWB	2-B2	NEW
	VG011100	ST1 PWB	2-A1	NEW
	VG011200	PW1 PWB	2-C1	NEW
	VG011300	CA1 PWB	2-B3	NEW
	VG011400	CP1 PWB	2-D1	NEW
	VG011500	CCD SPACER	2-B3	NEW
	VG011600	LPF SPACER	2-B4	NEW
	VG011700	CCD RUBBER	2-B4	NEW
	VG011800	SPECIAL SCREW-1.4X2.25	2-A1	NEW
	VG011900	SPECIAL SCREW 1.7X3W	2-A1	NEW
	VG012000	SPECIAL SCREW-1.7X3	1-C3	NEW
	VG012100	SPECIAL SCREW-1.7X4	1-B1	NEW
	VG012200	SPECIAL SCREW-1.7X6.0	1-D4	NEW
	VG012300	WASHER	1-B1,1-C2	NEW
	VG012400	SCR S-TPG PAN PCS 1.4X6	1-D2	NEW
	VG012500	SCR S-TPG PAN PCS 1.7X6.0	2-A4,2-B4	NEW
	VG012600	SCR S-TPG PAN PCS 1.7X5.0	1-A2	NEW
	VG012700	SCR PAN PCS 1.7X3.5	2-D2	NEW
	VG012800	SCR TPG PAN PCS 2X5	2-C3	NEW
	VG012900	SCR PAN PCS 2X2.5	2-C3	NEW
	VG013000	SCR PAN PCS 1.7X2.5	2-D1	NEW
	VG013100	SCR PAN PCS 1.7X2	1-C1,etc.	NEW
	VG013200	RING E 1.2	2-D3	NEW
	VG013300	NUT	1-B1,1-C2	NEW
A6701	VG013400	SENSOR RS-771	TB5	NEW
	VJ592300	LENS UNIT	2-A4	NEW
	VJ649600	STRAP HOLDER	1-B1,1-C2	NEW
	VT684300	Rated Label J		NEW
	VT684400	Rated Label U		NEW
	VT684500	Rated Label E		NEW
	VT684600	Rated Label G		NEW
	VT684700	Rated Label K		NEW
	VT684800	Rated Label A		NEW
	VT684900	Rated Label H		NEW
	VT685000	Rated Label T		NEW
	VT685100	Rated Label CC		NEW