

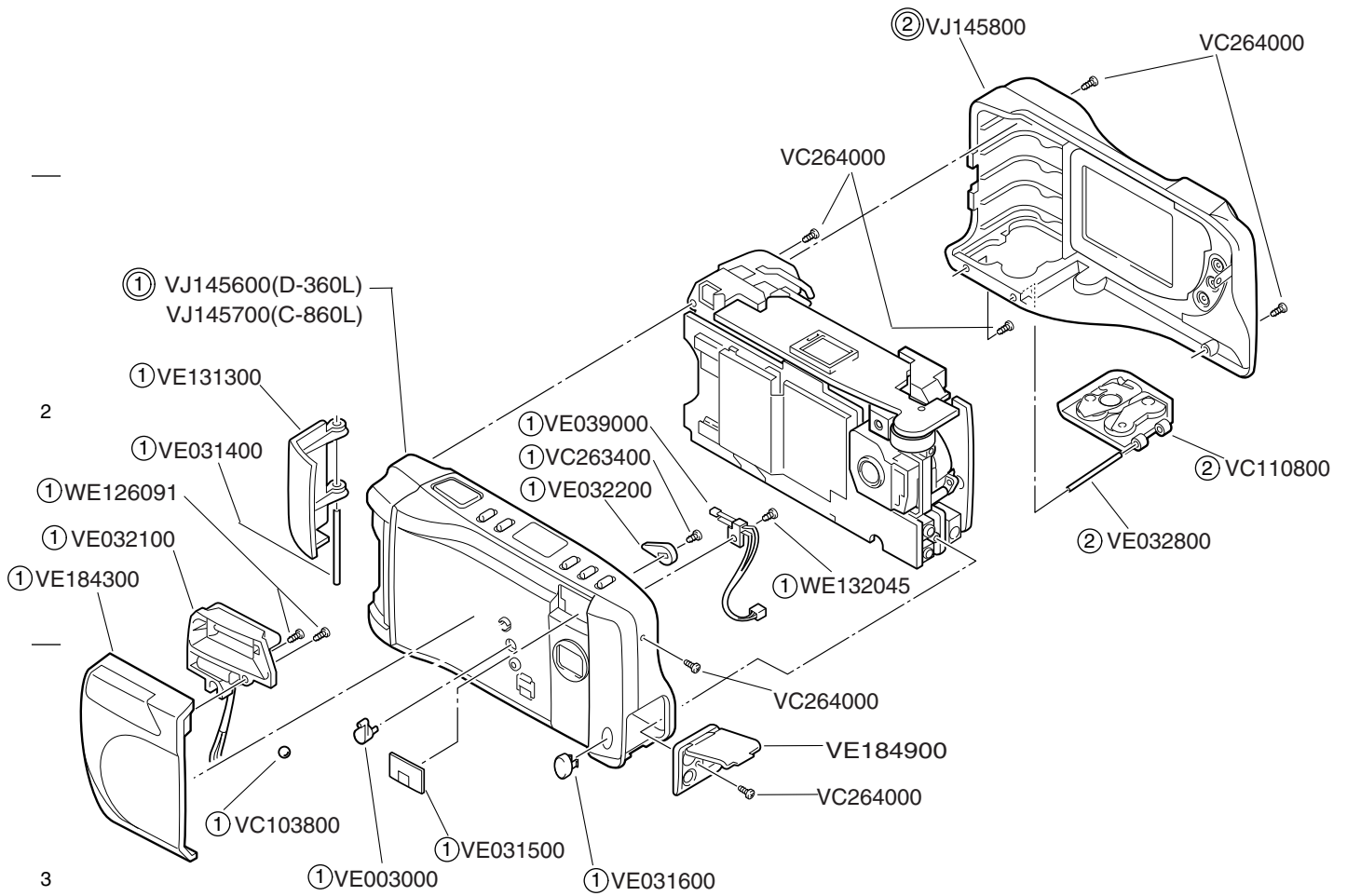
A

B

C

D

1



3

4

## EXPLODED PARTS DIAGRAM

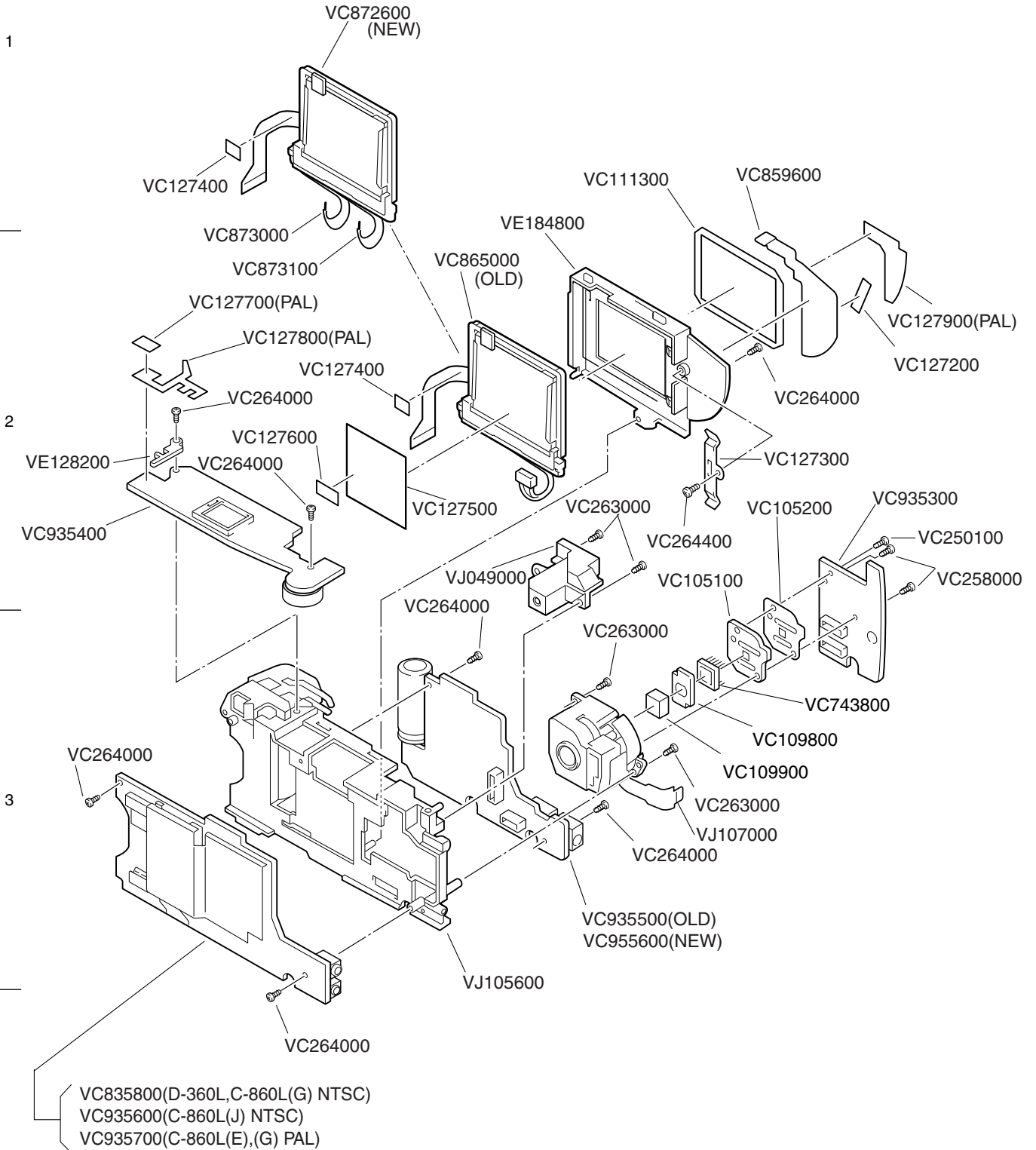
MODEL	HOUSE CODE or UNIT	FIG.
C-860L/D-360L	D4832	1/2
OLYMPUS OPTICAL CO.,LTD.TOKYO,JAPAN		

A

B

C

D



4

## EXPLODED PARTS DIAGRAM

MODEL	HOUSE CODE or UNIT	FIG.
C-860L/D-360L	D4832	2/2
OLYMPUS OPTICAL CO.,LTD.TOKYO,JAPAN		

Rev.4  
Ver.1  
2001.06

SERVER\_DIS

## PARTS LIST

C-860L/D-360L

REF NO	OLY NO	OEM NO	Description	Remark	Note
	VC103800		BALL, CLICK	1-A3	
	VC105100	6360482296	MOUNTING,LENS	2-C3	
	VC105200	6360482319	SPACER,INSULATOR	2-C3	
	VC109800	6360520172	SPACER,SXGA	2-C3	
	VC109900	6450280474	OPTICAL FILTER	2-C3	
	VC110800		BATTERY COVER	1-D2	
	VC111300	6360505551	SPACER MONITOR	2-C2	
	VC127200	6360516847	SPACER PANEL	2-D2	NEW
	VC127300	6360577619	HOLDER BRKT MONITOR	2-C2	NEW
	VC127400	6360579170	SPACER MONITOR A	2-B2	NEW
	VC127500	6360579187	SPACER MONITOR B	2-B2	NEW
	VC127600	6360579224	ADHESIVE TAPE	2-B2	NEW
	VC127700	6360515536	SPACER SHEET SY1 SR55-PAL [C-860L(E)L (G)PAL]	2-A2	NEW
	VC127800	6360515543	SHIELD SHEET SY1 SR55-PAL [C-860L(E), (G)PAL]	2-A2	NEW
	VC127900	6360579163	SPACER SHEET [C-860L(E) ONLY]	2-D2	NEW
	VC250100	4110024901	SCR PAN 2X4	2-D2	
	VC258000	4110227807	SCR S-TPG PAN 2X6	2-D3	
	VC263000	4111708602	SCR S-TPG PAN 2X5	2-C3	
	VC263400		SCR S-TPG PCS 1.6x5	1-B2	
	VC264000	4111737008	SCR S-TPG PAN PCS 1.7X4.5		
	VC264400	4111756405	SCR S-TPG PAN PCS 1.7X2.5	2-C2	
	VC743800	4094690703	IC RJ23J1AB0AT	2-C3	NEW
	VC835800	6360576087	COMPL PWB,CA-2 [D-360L, C-860L(G)NTSC]	2-A3	NEW
	VC859600	6450313356	SWITCH,PUSH	2-D2	
	VC865000	6450396496	LCD	2-C2	NEW
	VC935300	6360567948	COMPL PWB,CA-1	2-D3	NEW
	VC935400	6360567955	COMPL PWB,SY-1	2-A2	NEW
	VC935500	6360567962	COMPL PWB,ST-1	2-B3	NEW
	VC935600	6360568006	COMPL PWB,CA-2 [C-860L(J)]	2-A3	NEW
	VC935700	6360568020	COMPL PWB,CA-2 [C-860L(E), (G)PAL]	2-A3	NEW
	VC872600	6450446528	LCD	2-B1	
	VC955600	6360604766	COMPL PWB,ST-1	2-C3	NEW
	VC873000	6360603783	ASSY,WIRE(RED)	2-A2	
	VC873100	6360603790	ASSY,WIRE(BLUE)	2-A2	
	VE003000		COUPLING SHAFT	1-B3	
	VE031400		SHAFT C	1-A2	
	VE031500		F GLASS	1-B3	
	VE031600		LED COVER	1-B3	
	VE032100		COMPL FLASH UNIT	1-A2	NEW
	VE032200		BARRIER LEVER	1-B2	
	VE032800		SHAFT C	1-D2	
	VE039000		BARRIER SWITCH	1-C2	
	VE128200		SY SPACER	2-A2	
	VE131300		CARD COVER P3	1-A2	
	VE184300		BARRIER	1-A3	NEW
	VE184800		LCD FRAME	2-C2	NEW
	VE184900		CONNECTOR COVER	1-C3	NEW
	VJ049000		FINDER UNIT	2-C2	
	VJ105600		BODY P3	2-B3	
	VJ107000		LENS UNIT P3	2-C3	
	VJ145600		FRONT COVER (for D-360L)	1-B2	NEW
	VJ145700		FRONT COVER (for C-860L)	1-B2	NEW
	VJ145800		REAR COVER	1-D1	NEW
	WE126091		PUTB1.7x3SB	1-A2	
	WE132045		3PUTB1.6x4.5 SB	1-C2	

## PARTS LIST

C-860L/D-360L

REF NO	OLY NO	OEM NO	Description	Remark	Note
A3001	VC864900	6450390555	LCD(LM-7054C)	SY-1	NEW
BZ301	VC856900	4200015604	PZ BZR PKM13EPY-4002	SY-1	
CN141	VC858800	6450240706	SOCKET,CARD 22P TO SMART MEDIA	CA-2	
IC101	VC735900	4094208502	IC MB86833PMT2-G-BND (CPU)	CA-2	
IC102	VC744200	4103497804	IC KS5H8U1160CBP (ASIC)	CA-2	NEW
IC103	VC743900	4094696309	IC HY57V161610DTC-8 (SDRAM)	CA-2	NEW
IC103	VC744300	4103615703	IC MSM56V16160F-10TSKR1 (SDRAM)	CA-2	NEW
IC109	VC737700	4094357002	IC SN74LV273AP	CA-2	
IC111	VC744100	4094725603	IC IMISG588BTB	CA-2	NEW
IC112	VC743700	4094679906	IC IMISG587DTB	CA-2	NEW
IC121	VC744000	4094718902	IC 25902852A [C-860L(J)] PROGRAM FLASH	CA-2	NEW
IC121	VC744600	4094732809	IC 25901852B [D-360L, C-860L(G)NTSC] PROGRAM FLASH	CA-2	NEW
IC121	VC744500	4094719107	IC 25902852A [C-860L(E), (G)PAL] PROGRAM FLASH	CA-2	NEW
IC131	VC735100	4094124109	IC ADM3202ARU	CA-2	
IC141	VC737600	4094356906	IC SN74LV245AP	CA-2	
IC144	VC733000	4094070703	IC PST9128NR	CA-2	
IC152	VC736900	4094274101	IC TK15405M (VIDEO AMP)	CA-2	
IC171	VC743300	4094330401	IC IR3Y29B4	CA-2	NEW
IC172	VC735000	4094070604	IC TK11348BM	CA-2	
IC174	VC743400	4094455500	IC MB88347PFV-G-BND (D/A CONVERTER)	CA-2	NEW
IC175	VC743200	4093828305	IC NJM3414AV	CA-2	NEW
IC176	VC703000	4091677103	IC NJM2107F	CA-2	
IC177	VC734800	4093015507	IC TC7S08FU	CA-2	
IC301	VC744400	4103638801	IC M34520M8A-903FP (MICRO PROCESSOR)	SY-1	NEW
IC302	VC727100	4093831008	S-8423NFS (BATTERY BACKUP)	SY-1	
IC501	VC735300	4094181201	IC BA9737KV	ST-1	
IC502	VC736700	4093209203	IC TA75S01F	ST-1	
IC503	VC743600	4094610701	IC TK11326BM	ST-1	NEW
IC902	VC734900	4093929101	IC 74VHC04MTC (H.DRIVER)	CA-1	
IC904	VC737100	4094322000	IC LR366854 (V.DRIVER)	CA-1	
IC905	VC735600	4094189702	IC AD9802JSTRL (CDS,AD)	CA-1	
IC909	VC732900	4094070505	IC TK11331BM	CA-1	
IC951	VC743500	4094469309	IC NJM2125F	CA-1	NEW
JK131	VC859500	6450310454	JACK,PHONE D2.6 (PC JACK)	CA-2	
JK151	VC859800	6450325731	JACK,PHONE D3.6 (VIDEO JACK)	CA-2	
JK501	VC857100	6450090486	SOCKET,DC (DC JACK)	ST-1	
PR501	VC865800	4230280904	FUSE 32V 2A	ST-1	
PR502	VC865800	4230280904	FUSE 32V 2A	ST-1	
PR503	VC865800	4230280904	FUSE 32V 2A	ST-1	
Q1301	VC618200	4051310200	TR DTC144EUA	CA-2	
Q1301	VC609300	4051025005	TR UN5213	CA-2	
Q1302	VC618300	4051313607	TR DTA144EUA	CA-2	
Q1302	VC609200	4051023605	TR UN5113	CA-2	
Q1501	VC619000	4051292100	TR UMT1N	CA-2	
Q1502	VC619000	4051292100	TR UMT1N	CA-2	
Q1503	VC619000	4051292100	TR UMT1N	CA-2	
Q1504	VC615800	4051292308	TR UMZ1N	CA-2	
Q1504	VC609800	4051064806	TR XP4601	CA-2	
Q1505	VC609400	4051026705	TR 2SA1745-7	CA-2	
Q1505	VC609500	4051028303	TR 2SA1745-6	CA-2	
Q1506	VC617500	4051338907	TR DTC114EUA	CA-2	
Q1507	VC618200	4051310200	TR DTC144EUA	CA-2	
Q1507	VC609300	4051025005	TR UN5213	CA-2	
Q1601	VC617500	4051338907	TR DTC114EUA	CA-2	
Q1602	VC609400	4051026705	TR 2SA1745-7	CA-2	
Q1602	VC609500	4051028303	TR 2SA1745-6	CA-2	

## PARTS LIST

C-860L/D-360L

REF NO	OLY NO	OEM NO	Description	Remark	Note
Q1701	VC607900	4051025609	TR 2SD1819A-R	CA-2	
Q1701	VC603200	4050924101	TR 2SC4081-R	CA-2	
Q1751	VC618200	4051310200	TR DTC144EUA	CA-2	
Q1751	VC609300	4051025005	TR UN5213	CA-2	
Q3001	VC602600	4050785801	TR 2SA1676	SY-1	
Q3001	VC611800	4050961106	TR DTA144EU	SY-1	
Q3001	VC609200	4051023605	TR UN5113	SY-1	
Q3002	VC602600	4050785801	TR 2SA1676	SY-1	
Q3002	VC611800	4050961106	TR DTA144EU	SY-1	
Q3002	VC609200	4051023605	TR UN5113	SY-1	
Q3003	VC603600	4050786105	TR 2SA1677	SY-1	
Q3003	VC614800	4050961205	TR DTA124EU	SY-1	
Q3003	VC615300	4051191007	TR UN5112	SY-1	
Q3004	VC602600	4050785801	TR 2SA1676	SY-1	
Q3004	VC611800	4050961106	TR DTA144EU	SY-1	
Q3004	VC609200	4051023605	TR UN5113	SY-1	
Q3005	VC602600	4050785801	TR 2SA1676	SY-1	
Q3005	VC611800	4050961106	TR DTA144EU	SY-1	
Q3005	VC609200	4051023605	TR UN5113	SY-1	
Q3006	VC602600	4050785801	TR 2SA1676	SY-1	
Q3006	VC611800	4050961106	TR DTA144EU	SY-1	
Q3006	VC609200	4051023605	TR UN5113	SY-1	
Q3007	VC609400	4051026705	TR 2SA1745-7	SY-1	
Q3007	VC609500	4051028303	TR 2SA1745-6	SY-1	
Q3008	VC604100	4050786709	TR 2SC4396	SY-1	
Q3008	VC604700	4050962400	TR DTC144EU	SY-1	
Q3008	VC609300	4051025005	TR UN5213	SY-1	
Q3009	VC602600	4050785801	TR 2SA1676	SY-1	
Q3009	VC611800	4050961106	TR DTA144EU	SY-1	
Q3009	VC609200	4051023605	TR UN5113	SY-1	
Q3031	VC607900	4051025609	TR 2SD1819A-R	SY-1	
Q3031	VC603200	4050924101	TR 2SC4081-R	SY-1	
Q5001	VC619300	4051505002	TR CPH3109	ST-1	
Q5002	VC617300	4050921209	TR 2SA1577-Q	ST-1	
Q5002	VC617400	4050921407	TR 2SA1577-R	ST-1	
Q5003	VC618600	4051155207	TR 2SC4617 R	ST-1	
Q5004	VC616900	4051298409	TR UMC2N	ST-1	
Q5005	VC617300	4050921209	TR 2SA1577-Q	ST-1	
Q5005	VC617400	4050921407	TR 2SA1577-R	ST-1	
Q5006	VC616700	4051292902	TR UMH11N	ST-1	
Q5007	VC616300	4051245502	TR FP106 (SW)	ST-1	
Q5008	VC619300	4051505002	TR CPH3109	ST-1	
Q5010	VC615800	4051292308	TR UMZ1N	ST-1	
Q5010	VC609800	4051064806	TR XP4601	ST-1	
Q5011	VC621200	4051506900	TR CPH3215	ST-1	NEW
Q5012	VC604000	4050087707	TR 2SB815-B7	ST-1	
Q5012	VC600700	4050087509	TR 2SB815-B6	ST-1	
Q5012	VC618100	4051206008	TR 2SB1197K-R	ST-1	
Q5013	VC618700	4051156907	TR DTC114EE	ST-1	
Q5014	VC618000	4050473807	TR 2SC3647-S	ST-1	
Q5014	VC621100	4050473906	TR 2SC3647-T	ST-1	NEW
Q5015	VC618000	4050473807	TR 2SC3647-S	ST-1	
Q5015	VC621100	4050473906	TR 2SC3647-T	ST-1	NEW
Q5016	VC615800	4051292308	TR UMZ1N	ST-1	
Q5016	VC609800	4051064806	TR XP4601	ST-1	
Q5017	VC618600	4051155207	TR 2SC4617 R	ST-1	
Q5018	VC617300	4050921209	TR 2SA1577-Q	ST-1	

## PARTS LIST

C-860L/D-360L

REF NO	OLY NO	OEM NO	Description	Remark	Note
Q5018	VC617400	4050921407	TR 2SA1577-R	ST-1	
Q5021	VC618600	4051155207	TR 2SC4617 R	ST-1	
Q5022	VC618900	4051156402	TR DTA114YE	ST-1	
Q5023	VC616900	4051298409	TR UMC2N	ST-1	
Q5024	VC618700	4051156907	TR DTC114EE	ST-1	
Q5026	VC617300	4050921209	TR 2SA1577-Q	ST-1	
Q5026	VC617400	4050921407	TR 2SA1577-R	ST-1	
Q5027	VC618700	4051156907	TR DTC114EE	ST-1	
Q5028	VC604000	4050087707	TR 2SB815-B7	ST-1	
Q5028	VC600700	4050087509	TR 2SB815-B6	ST-1	
Q5028	VC618100	4051206008	TR 2SB1197K-R	ST-1	
Q5029	VC618700	4051156907	TR DTC114EE	ST-1	
Q5030	VC616700	4051292902	TR UMH11N	ST-1	
Q5401	VC618800	4051157508	TR DTC123JE	ST-1	
Q5402	VC618700	4051156907	TR DTC114EE	ST-1	
Q5405	VC619200	4051479709	TR CPH3205	ST-1	
Q5406	VC619300	4051505002	TR CPH3109	ST-1	
Q5407	VC618600	4051155207	TR 2SC4617 R	ST-1	
Q5409	VC619400	4051519504	TR CY20AAJ-8	ST-1	
Q9001	VC614700	4050796203	TR 2SC4399-4	CA-1	
Q9001	VC602900	4050796302	TR 2SC4399-5	CA-1	
Q9002	VC607900	4051025609	TR 2SD1819A-R	CA-1	
Q9002	VC603200	4050924101	TR 2SC4081-R	CA-1	
Q9004	VC607900	4051025609	TR 2SD1819A-R	CA-1	
Q9004	VC603200	4050924101	TR 2SC4081-R	CA-1	
Q9005	VC607900	4051025609	TR 2SD1819A-R	CA-1	
Q9005	VC603200	4050924101	TR 2SC4081-R	CA-1	
Q9015	VC615800	4051292308	TR UMZ1N	CA-1	
Q9015	VC609800	4051064806	TR XP4601	CA-1	
Q9041	VC617500	4051338907	TR DTC114EUA	CA-1	
Q9501	VC617600	4051401502	TR DTC123JUA	CA-1	
Q9502	VC617800	4050472602	TR 2SB1124-S	CA-1	
Q9503	VC607900	4051025609	TR 2SD1819A-R	CA-1	
Q9503	VC603200	4050924101	TR 2SC4081-R	CA-1	
S1901	VC865100	6450400094	SWITCH,PUSH 1P-1T	CA-2	NEW
S3029	VC857200	6450127670	SWITCH,PUSH 1P-2T (SHUTTER)	SY-1	
T5001	VC864600	6450347764	TRANS,POWER,PULSE	ST-1	NEW
T5002	VC864800	6450376399	TRANS,POWER,PULSE	ST-1	NEW
T5003	VC864700	6450364228	TRANS,POWER,PULSE	ST-1	NEW
T5401	VC861800	6450328817	TRANS,STEP UP	ST-1	
X1101	VC857600	6450233951	OSC,CRYSTAL 14.31818MHZ (RIVER)	CA-2	
X1101	VC864500	6450400049	OSC,CRYSTAL 14.31818MHZ (RIVER)	CA-2	
X1701	VC861600	6450256004	OSC,CRYSTAL 3.579545MHZ (RIVER)	CA-2	
X3001	VC823700	6450127649	OSC,CERAMIC 1MHZ	SY-1	
X3002	VC818600	6360401129	OSC CRYSTAL 32.768KHZ	SY-1	
Y1001	VC264700	4111741708	SCR S-TPG PAN PCS 1.7X3.5 (SMART MEDIA)	CA-2	