

A

B

C

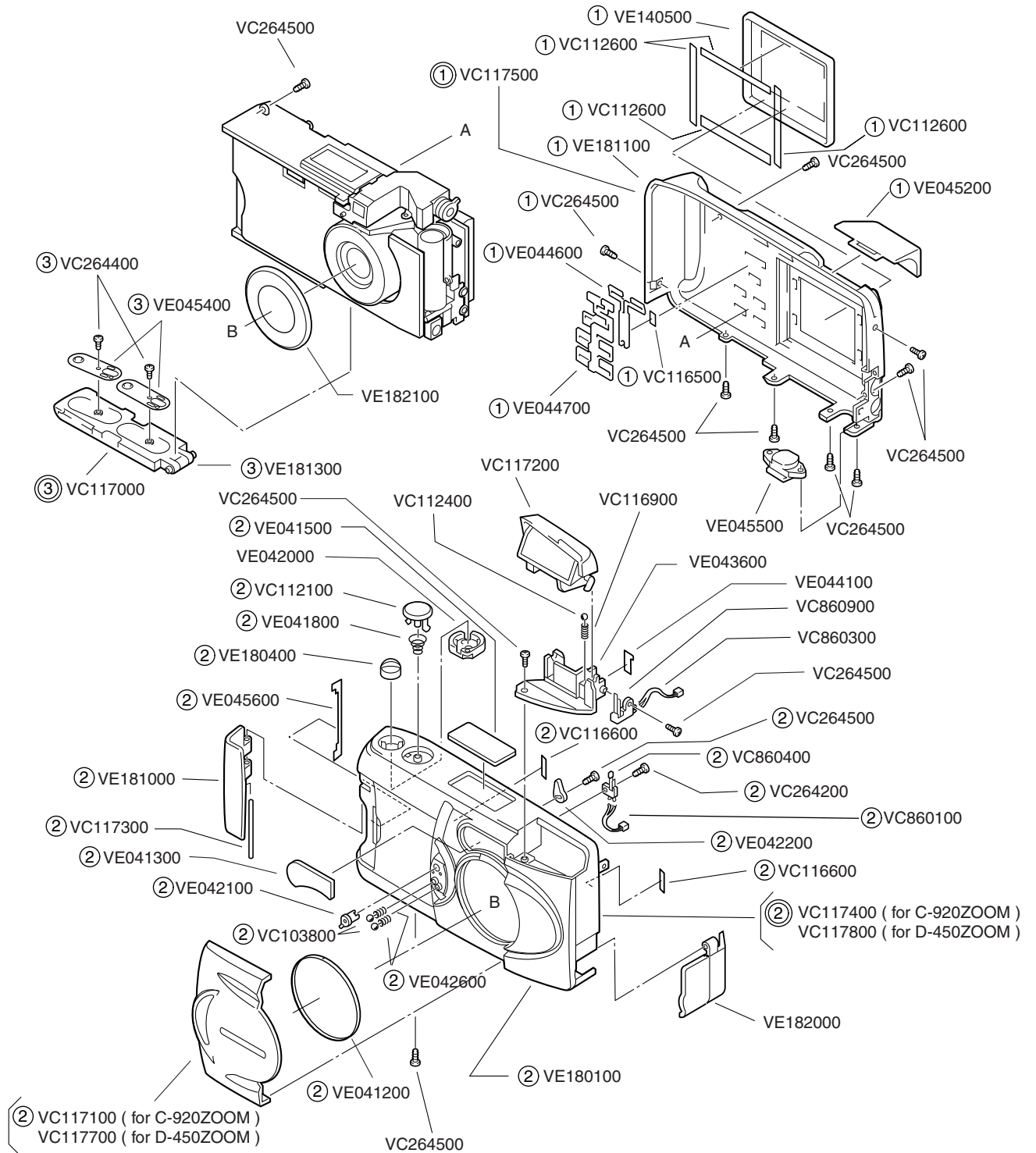
D

1

2

3

4



EXPLODED PARTS DIAGRAM

MODEL	HOUSE CODE or UNIT	FIG.
C-920ZOOM/D-450ZOOM	D4829	1/3
OLYMPUS OPTICAL CO.,LTD.TOKYO,JAPAN		

A

B

C

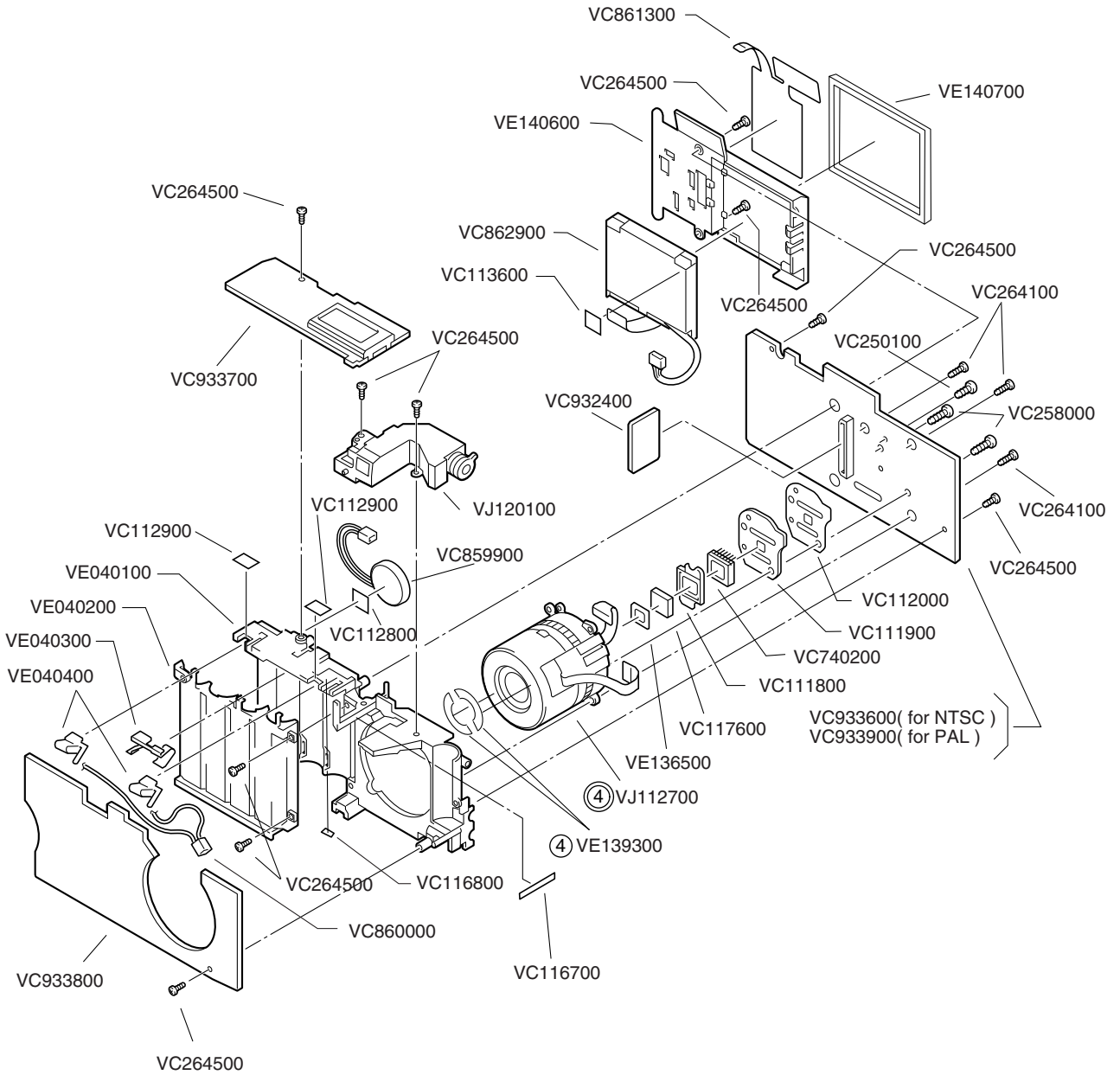
D

1

2

3

4



EXPLODED PARTS DIAGRAM

MODEL	HOUSE CODE or UNIT	FIG.
C-920ZOOM/D-450ZOOM	D4829	2/3
OLYMPUS OPTICAL CO.,LTD.TOKYO,JAPAN		

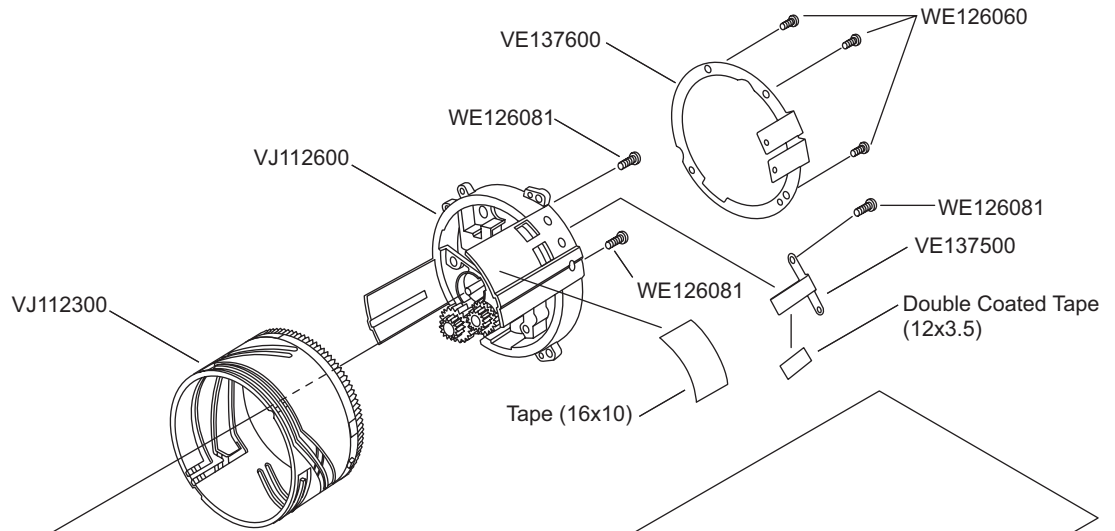
A

B

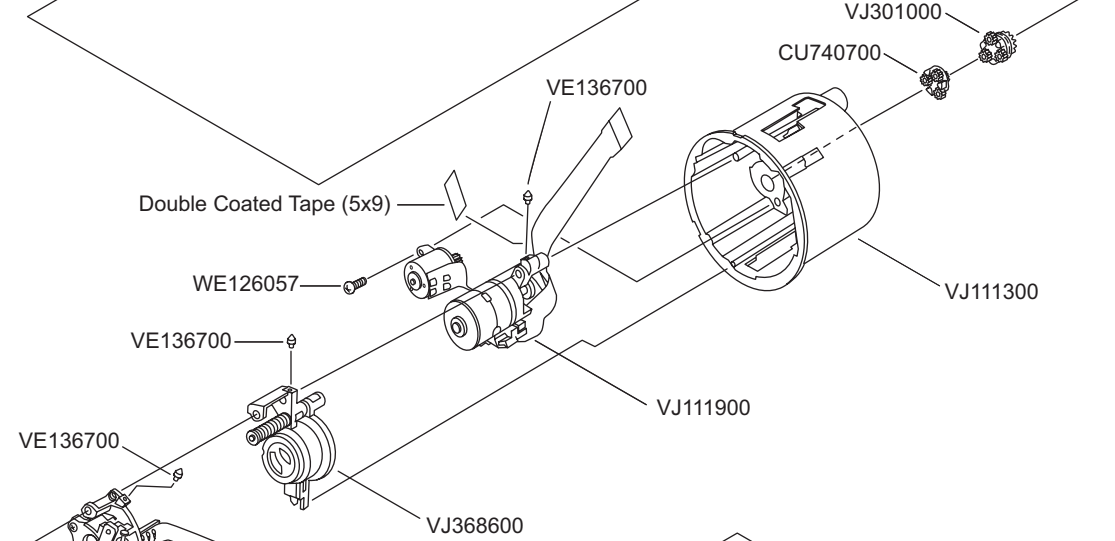
C

D

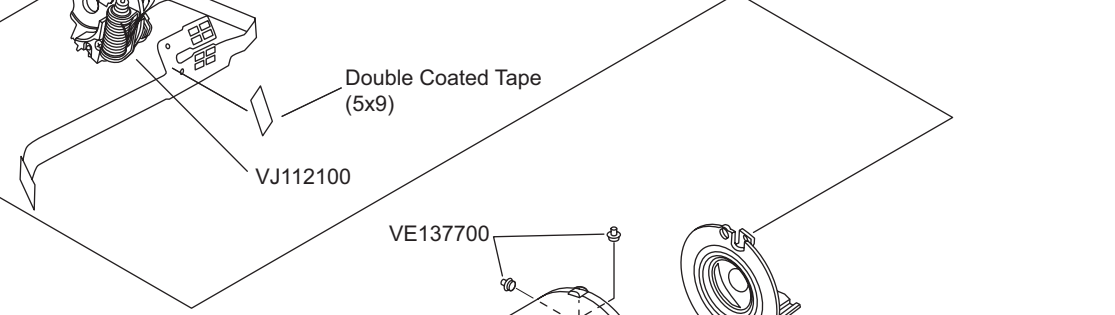
1



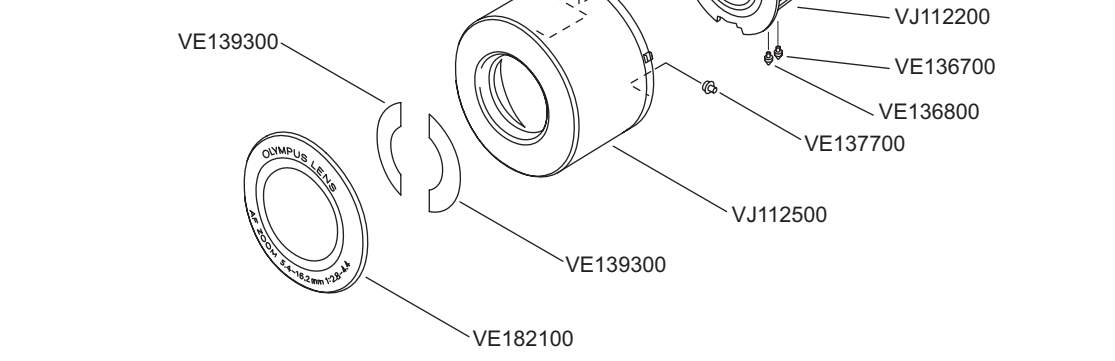
2



3



4



EXPLODED PARTS DIAGRAM

MODEL	FIG.
C-920 ZOOM / D-420 ZOOM	3/3
OLYMPUS OPTICAL CO.,LTD.TOKYO,JAPAN	

Ver.1/Rev.3
2002.08

PARTS LIST

C-920ZOOM/D-450ZOOM

REF NO	PARTS NO	DESCRIPTION	REMARKS	NOTE
	VC103800	BALL,CLICK	1-B3	
	VC111800	SPACER SXGA	2-C3	
	VC111900	MOUNTING,LENS	2-D3	
	VC112000	SPACER,INSULATOR	2-D2	
	VC112100	ASSY,BUTTON SHUTTER	1-B2	
	VC112400	BALL CLICK	1-B2	
	VC112600	ADHESIVE TAPE LCD,A	1-C1,D1	
	VC112800	ADHESIVE TAPE BUZZER	2-B2	
	VC112900	SPACER SY	2-A2,B2	
	VC113600	SPACER LIGHT	2-B2	
	VC116500	ADHESIVE TAPE BUTTON	1-C2	NEW
	VC116600	SPACER WIRE	1-C3,D3	NEW
	VC116700	SPACER VF	2-C3	NEW
	VC116800	ADHESIVE CHASSIS	2-B3	NEW
	VC116900	SPRING FLASH	1-C2	NEW
	VC117000	COMPL,COVER BATTERY	1-A2	NEW
	VC117100	ASSY,COVER LENS (C-920 ZOOM)	1-A4	NEW
	VC117200	COMPL,FLASH UNIT	1-C2	NEW
	VC117300	SHAFT DOOR	1-A3	NEW
	VC117400	COMPL,CABI FRONT-SV (C-920 ZOOM)	1-D3	NEW
	VC117500	COMPL,CABI BACK-SV	1-C1	NEW
	VC117600	OPTICAL FILTER	2-C3	NEW
	VC117700	ASSY,COVER LENS (D-450 ZOOM)	1-A4	NEW
	VC117800	COMPL,CABI FRONT-SV (D-450 ZOOM)	1-D3	NEW
	VC250100	SCR PAN 2X4	2-D2	
	VC258000	SCR S-TPG PAN 2X6	2-D2	
	VC264100	SCR S-TPG PAN PCS 1.7X6	2-D2	
	VC264200	SCR S-TPG PAN PCS 2X3.5	1-D3	
	VC264400	SCR S-TPG PAN PCS 1.7X2.5	1-A1	
	VC264500	SCR S-TPG PAN PCS 1.7X4.0		
	VC264500	SCR S-TPG PAN PCS 1.7X4.0		
	VC740200	IC ICX202CM-B	2-D3	NEW
	VC859900	PZ BZR KBS-15DB-4A-35	2-B2	
	VC860000	ASSY,WIRE BATTERY & ST-1	2-B3	
	VC860100	ASSY,WIRE POWER SW&SY1-87	1-D3	
	VC860300	ASSY,WIRE STOROBO&SY1-872	1-D2	
	VC860400	SWITCH,LEAF 1P-1T	1-C3	
	VC860900	SWITCH,LEAF ST	1-B2	
	VC861300	SWITCH,PUSH	2-C1	
	VC862900	LCD	2-C2	NEW
	VC932400	PWB,JP-1 V0	2-C2	
	VC933600	COMPL PWB,CA-1 (NTSC)	2-D3	NEW
	VC933700	COMPL PWB,SY-1	2-B2	NEW
	VC933800	COMPL PWB,ST-1	2-A3	NEW
	VC933900	COMPL PWB,CA-1 (PAL)	2-D2	NEW
	VE040100	HOLDER CHASSIS	2-A2	
	VE040200	HOLDER BATTERY	2-A2	
	VE040300	TERMINAL BATTERY,D	2-A3	
	VE040400	TERMINAL BATTERY ,P	2-A3	
	VE041200	COVER SPACER	1-B4	
	VE041300	PANEL FRONT	1-A3	
	VE041500	DEC LCD-SR87/JO	1-B2	

PARTS LIST

C-920ZOOM/D-450ZOOM

REF NO	PARTS NO	DESCRIPTION	REMARKS	NOTE
	VE041800	SPRING COMP RELEASE	1-B2	
	VE042000	BUTTON ZOOM	1-B2	
	VE042100	LEVER PROTECT	1-B3	
	VE042200	ARM PROTECT	1-D3	
	VE042600	SPRING COMP COVER L	1-B3	
	VE043600	COVER FLASH	1-C2	
	VE044100	SPACER ST	1-D2	NEW
	VE044600	BUTTON MODE,2	1-C1	
	VE044700	BUTTON MODE,7	1-C2	
	VE045200	COVER VF	1-D1	
	VE045400	TERMINAL BATTERY,CB	1-A2	
	VE045500	STAND	1-D2	
	VE045600	HOLDER BRKT HINGE	1-B3	
	VE136500	SPACER	2-C3	
	VE136700	CAM PIN A	3-B2,C2	NEW
	VE136800	CAM PIN B	3-D4	NEW
	VE137500	FPC PLATE	3-D1	NEW
	VE137600	PR PLATE	3-C1	NEW
	VE137700	CAM PIN 1Z	3-C3,D4	NEW
	VE139300	TAPE, DEC LENS	2-C3	
	VE140500	DEC MONITOR,B	1-C1	
	VE140600	HOLDER MONITOR	2-C1	
	VE140700	SPACER MONITOR	2-D1	
	VE180100	CABINET FRONT	1-C3	NEW
	VE180400	KNOB ZOOM	1-B2	NEW
	VE181000	COVER CARD	1-A3	NEW
	VE181100	CABINET BACK	1-C1	NEW
	VE181300	COVER BATTERY	1-B2	NEW
	VE182000	COVER TERMINAL	1-D3	NEW
	VE182100	DEC LENS	1-B2	NEW
	VJ111300	LENS BARREL#-1	3-D2	NEW
	VJ111900	4Z FRAME#	3-C2	NEW
	VJ112100	S FRAME#	3-B3	NEW
	VJ112200	2Z FRAME#	3-D3	NEW
	VJ112300	CAM FRAME#	3-A1	NEW
	VJ112500	1Z FRAME#-2	3-D4	NEW
	VJ112600	C HOLDER#	3-B1	NEW
	VJ112700	LENS(ASSY)	2-C3	
	VJ120100	LENS,VF(ASSY)	2-B2	
	VJ301000	CARRIER B#	3-D2	
	VJ368600	3-4G FRAME R#	3-C3	
	WE126057	PUTB1.4X2.5SN	3-B2	
	WE126060	PUTB1.6X3SB	3-D1	
	WE126081	PUTB1.6X4SN	3-C1,D1	
A3001	VC862800	LCD(LM-7033C-1)	SY1	NEW
IC101	VC735900	IC MB86833PMT2-G-BND (CPU)	CA1	
IC102	VC737800	IC KS4H8U1106CBP (ASIC)	CA1	
IC103	VC737200	IC UPD4516161AG5-A10B-9NF (SDRAM)	CA1	
IC103	VC740400	IC HY57V161610DTC-10 (SDRAM)	CA1	NEW
IC103	VC740600	IC MSM56V16160D-10TS-K (SDRAM)	CA1	NEW
IC104	VC737200	IC UPD4516161AG5-A10B-9NF (SDRAM)	CA1	
IC104	VC740400	IC HY57V161610DTC-10 (SDRAM)	CA1	NEW

PARTS LIST

C-920ZOOM/D-450ZOOM

REF NO	PARTS NO	DESCRIPTION	REMARKS	NOTE
IC104	VC740600	IC MSM56V16160D-10TS-K (SDRAM)	CA1	NEW
IC106	VC737700	IC SN74LV273AP (D-FF)	CA1	
IC107	VC737700	IC SN74LV273AP (D-FF)	CA1	
IC111	VC735200	IC W42C27-41G (CLOCK-GENER)	CA1	
IC121	VC740500	IC 24800873B (NTSC) PROGRAM-FLASH	CA1	NEW
IC121	VC740800	IC 24802873A (PAL) PROGRAM-FLASH	CA1	NEW
IC131	VC735100	IC ADM3202ARU (TRANSCEIVER)	CA1	
IC141	VC737600	IC SN74LV245AP (BUFFER)	CA1	
IC144	VC733000	IC PST9128NR	ST1	
IC152	VC736900	IC TK15405M (VIDEO-AMP)	CA1	
IC171	VC740000	IC LV4131W (LCD DRIVER)	CA1	NEW
IC174	VC740300	IC TK11330BM (REGULATOR)	CA1	NEW
IC175	VC738900	IC TC7SET08FU	CA1	
IC301	VC740700	IC M34520M8A-698FP (MICRO PROCESSOR)	SY1	NEW
IC302	VC727100	S-8423NFS (BACKUP)	SY1	
IC501	VC735300	IC BA9737KV	ST1	
IC502	VC709200	IC TC7S08F	ST1	
IC902	VC734900	IC 74VHC04MTC (H.DRIVER)	CA1	
IC904	VC740100	IC CXD3400N (V.DRIVER)	CA1	NEW
IC905	VC735600	IC AD9802JSTRL (CDS,AD)	CA1	
IC906	VC732900	IC TK11331BM (REGULATOR)	CA1	
IC952	VC719900	IC LA6358NM	CA1	
IC953	VC738100	IC LB1836M (ZOOM DRIVER)	CA1	
IC954	VC738100	IC LB1836M (FOCUS DRIVER)	CA1	
IC955	VC738200	IC TC7S66F (ANALOG SW)	CA1	
IC956	VC738200	IC TC7S66F (ANALOG SW)	CA1	
IC957	VC738100	IC LB1836M (IRIS DRIVER)	CA1	
IC958	VC738200	IC TC7S66F (ANALOG SW)	CA1	
IC959	VC738200	IC TC7S66F (ANALOG SW)	CA1	
JK102	VC859800	JACK,PHONE D3.6 (VIDEO JACK)	CA1	
JK103	VC859500	JACK,PHONE D2.6 (PC JACK)	CA1	
JK501	VC857100	SOCKET,DC (DC JACK)	ST1	
PR501	VC856400	PROTECTOR,IC 2A 63V	ST1	
PR502	VC856400	PROTECTOR,IC 2A 63V	ST1	
Q1301	VC619500	TR DTC144EE	CA1	NEW
Q1303	VC609200	TR UN5113	CA1	
Q1303	VC618300	TR DTA144EUA	CA1	
Q1501	VC619000	TR UMT1N	CA1	
Q1502	VC615800	TR UMZ1N	CA1	
Q1503	VC619000	TR UMT1N	CA1	
Q1504	VC615800	TR UMZ1N	CA1	
Q1508	VC619500	TR DTC144EE	CA1	NEW
Q1601	VC618700	TR DTC114EE	CA1	
Q1602	VC609400	TR 2SA1745-7	CA1	
Q1602	VC609500	TR 2SA1745-6	CA1	
Q1701	VC609800	TR XP4601	CA1	
Q1701	VC615800	TR UMZ1N	CA1	
Q1702	VC609800	TR XP4601	CA1	
Q1702	VC615800	TR UMZ1N	CA1	
Q3001	VC602600	TR 2SA1676 (INV)	SY1	
Q3001	VC609200	TR UN5113 (INV)	SY1	
Q3001	VC611800	TR DTA144EU (INV)	SY1	

PARTS LIST

C-920ZOOM/D-450ZOOM

REF NO	PARTS NO	DESCRIPTION	REMARKS	NOTE
Q3002	VC602600	TR 2SA1676 (INV)	SY1	
Q3002	VC609200	TR UN5113 (INV)	SY1	
Q3002	VC611800	TR DTA144EU (INV)	SY1	
Q3003	VC603600	TR 2SA1677 (SW)	SY1	
Q3003	VC614800	TR DTA124EU (SW)	SY1	
Q3003	VC615300	TR UN5112 (SW)	SY1	
Q3005	VC602600	TR 2SA1676 (INV)	SY1	
Q3005	VC609200	TR UN5113 (INV)	SY1	
Q3005	VC611800	TR DTA144EU (INV)	SY1	
Q3006	VC602600	TR 2SA1676 (INV)	SY1	
Q3006	VC609200	TR UN5113 (INV)	SY1	
Q3006	VC611800	TR DTA144EU (INV)	SY1	
Q3007	VC609400	TR 2SA1745-7 (INV)	SY1	
Q3007	VC609500	TR 2SA1745-6 (INV)	SY1	
Q3008	VC604100	TR 2SC4396 (INV)	SY1	
Q3008	VC604700	TR DTC144EU (INV)	SY1	
Q3008	VC609300	TR UN5213 (INV)	SY1	
Q3031	VC609400	TR 2SA1745-7 (INV)	SY1	
Q3031	VC609500	TR 2SA1745-6 (INV)	SY1	
Q5001	VC619600	TR 2SA2013	ST1	NEW
Q5002	VC618400	TR 2SA1576A-R	ST1	
Q5003	VC618600	TR 2SC4617 R	ST1	
Q5004	VC616900	TR UMC2N	ST1	
Q5005	VC604000	TR 2SB815-B7	ST1	
Q5006	VC616700	TR UMH11N	ST1	
Q5007	VC619700	TR CPH5701-TL (SW)	ST1	NEW
Q5008	VC619300	TR CPH3109	ST1	
Q5012	VC609800	TR XP4601	ST1	
Q5012	VC615800	TR UMZ1N	ST1	
Q5013	VC619200	TR CPH3205	ST1	
Q5014	VC600700	TR 2SB815-B6	ST1	
Q5014	VC604000	TR 2SB815-B7	ST1	
Q5014	VC618100	TR 2SB1197K-R	ST1	
Q5015	VC618700	TR DTC114EE	ST1	
Q5016	VC615900	TR UMY1N	ST1	
Q5017	VC619800	TR FTS2005-TL	ST1	NEW
Q5401	VC618800	TR DTC123JE	ST1	
Q5402	VC618700	TR DTC114EE	ST1	
Q5405	VC614500	TR 2SD1624-S	ST1	
Q5405	VC614600	TR 2SD1624-T	ST1	
Q5406	VC616400	TR 2SB1302-S	ST1	
Q5407	VC618600	TR 2SC4617 R	ST1	
Q5409	VC619400	TR CY20AAJ-8	ST1	
Q9001	VC602900	TR 2SC4399-5	CA1	
Q9001	VC614700	TR 2SC4399-4	CA1	
Q9002	VC603200	TR 2SC4081-R	CA1	
Q9002	VC607900	TR 2SD1819A-R	CA1	
Q9004	VC617500	TR DTC114EUA	CA1	
Q9005	VC603200	TR 2SC4081-R	CA1	
Q9005	VC607900	TR 2SD1819A-R	CA1	
Q9006	VC615800	TR UMZ1N	CA1	
Q9501	VC603800	TR 2SB1202-S	CA1	

PARTS LIST

C-920ZOOM/D-450ZOOM

REF NO	PARTS NO	DESCRIPTION	REMARKS	NOTE
Q9502	VC603200	TR 2SC4081-R	CA1	
Q9502	VC607900	TR 2SD1819A-R	CA1	
Q9503	VC603800	TR 2SB1202-S	CA1	
Q9504	VC603200	TR 2SC4081-R	CA1	
Q9504	VC607900	TR 2SD1819A-R	CA1	
Q9507	VC618500	TR DTC123EU	CA1	
Q9508	VC616400	TR 2SB1302-S	CA1	
Q9509	VC617600	TR DTC123JUA	CA1	
Q9510	VC617600	TR DTC123JUA	CA1	
Q9511	VC617600	TR DTC123JUA	CA1	
Q9512	VC617500	TR DTC114EUA	CA1	
Q9513	VC602900	TR 2SC4399-5	CA1	
Q9513	VC614700	TR 2SC4399-4	CA1	
Q9514	VC614300	TR DTC115EU	CA1	
Q9546	VC609200	TR UN5113 (INV)	CA1	
Q9546	VC618300	TR DTA144EUA	CA1	
S1401	VC857900	SWITCH,PUSH,1P-1T	ST1	
S3029	VC857200	SWITCH,PUSH 1P-2T (SHUTTER)	SY1	
T5001	VC862600	TRANS,POWER,PULSE	ST1	NEW
T5002	VC862700	TRANS,POWER,PULSE	ST1	NEW
T5003	VC861100	TRANS,POWER,PULSE	ST1	
T5401	VC863000	TRANS,STEP UP	ST1	NEW
T5402	VC860500	TRANS,OSC,TRIGGER	ST1	
X1101	VC857600	OSC,CRYSTAL 14.31818MHZ (NTSC)	CA1	
X1101	VC858200	OSC,CRYSTAL 17.734476MHZ (PAL)	CA1	
X1701	VC861600	OSC,CRYSTAL 3.579545MHZ (NTSC)	CA1	
X1701	VC862500	OSC,CRYSTAL 4.433619MHZ (PAL)	CA1	
X3001	VC823700	OSC,CERAMIC 1MHZ	SY1	
X3002	VC818600	OSC CRYSTAL 32.768KHZ	SY1	