

EXPLODED PARTS DIAGRAM PARTS LIST

C-960ZOOM/D-460ZOOM

EXPLODED PARTS DIAGRAM.PARTS LIST

A

B

C

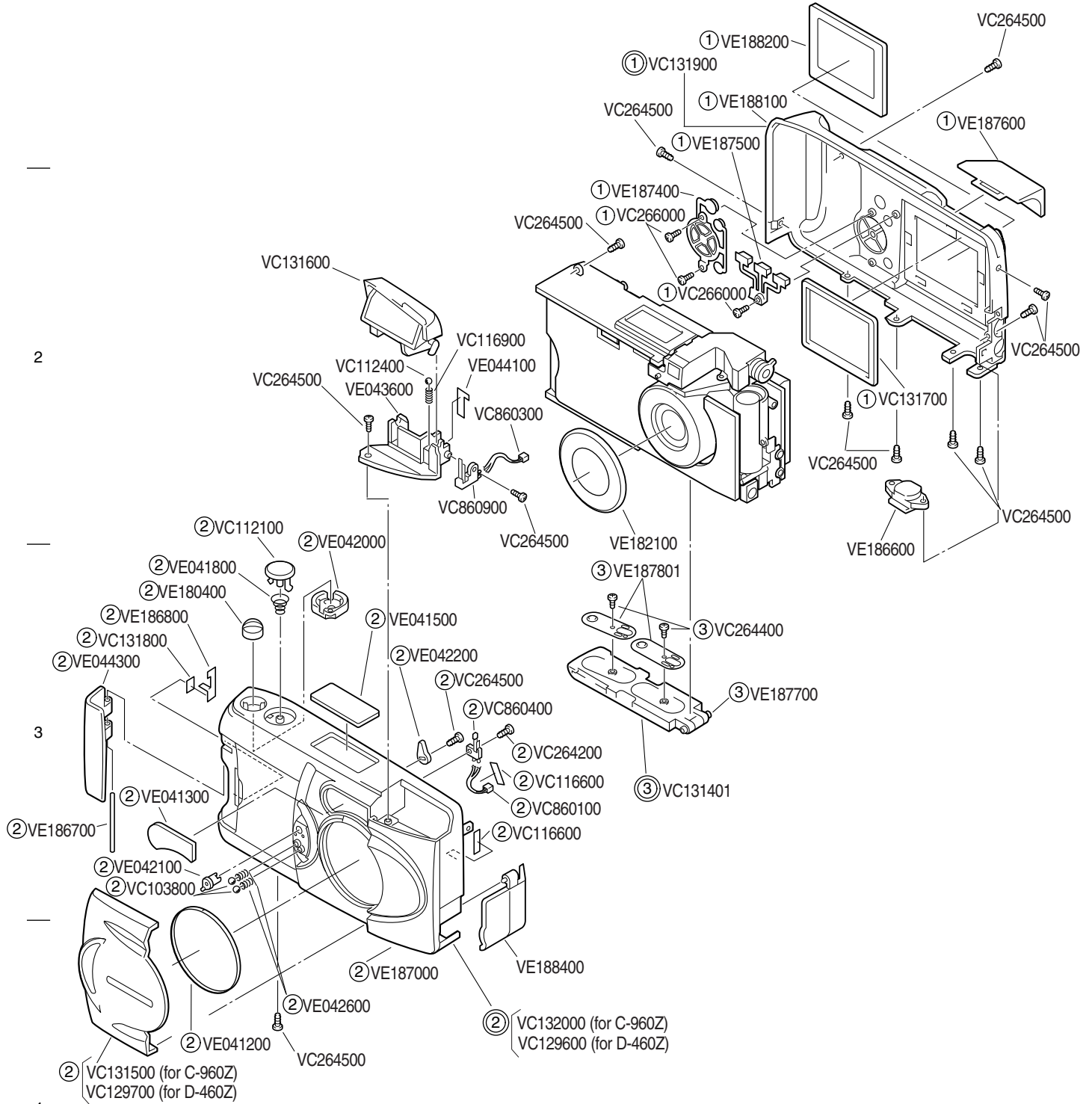
D

1

2

3

4



EXPLODED PARTS DIAGRAM

MODEL	HOUSE CODE or UNIT	FIG.
C-960ZOOM/D-460ZOOM	D4847	1/3
OLYMPUS OPTICAL CO.,LTD.TOKYO,JAPAN		

Ver.2/Rev.6
2002.03

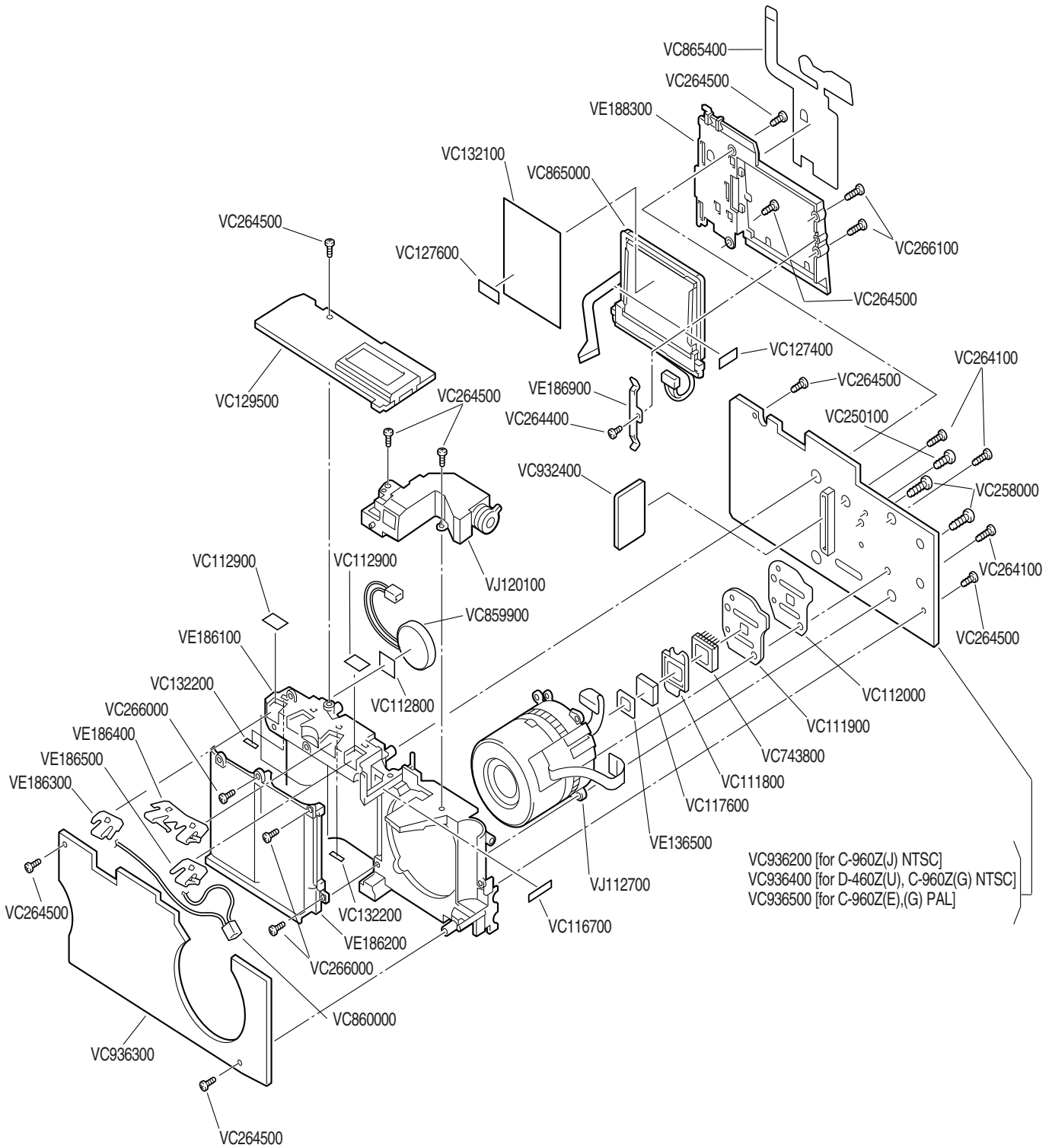
A | B | C | D

1

2

3

4



EXPLODED PARTS DIAGRAM

MODEL	HOUSE CODE or UNIT	FIG.
C-960ZOOM/D-460ZOOM	D4847	2/3
OLYMPUS OPTICAL CO.,LTD.TOKYO,JAPAN		

A

B

C

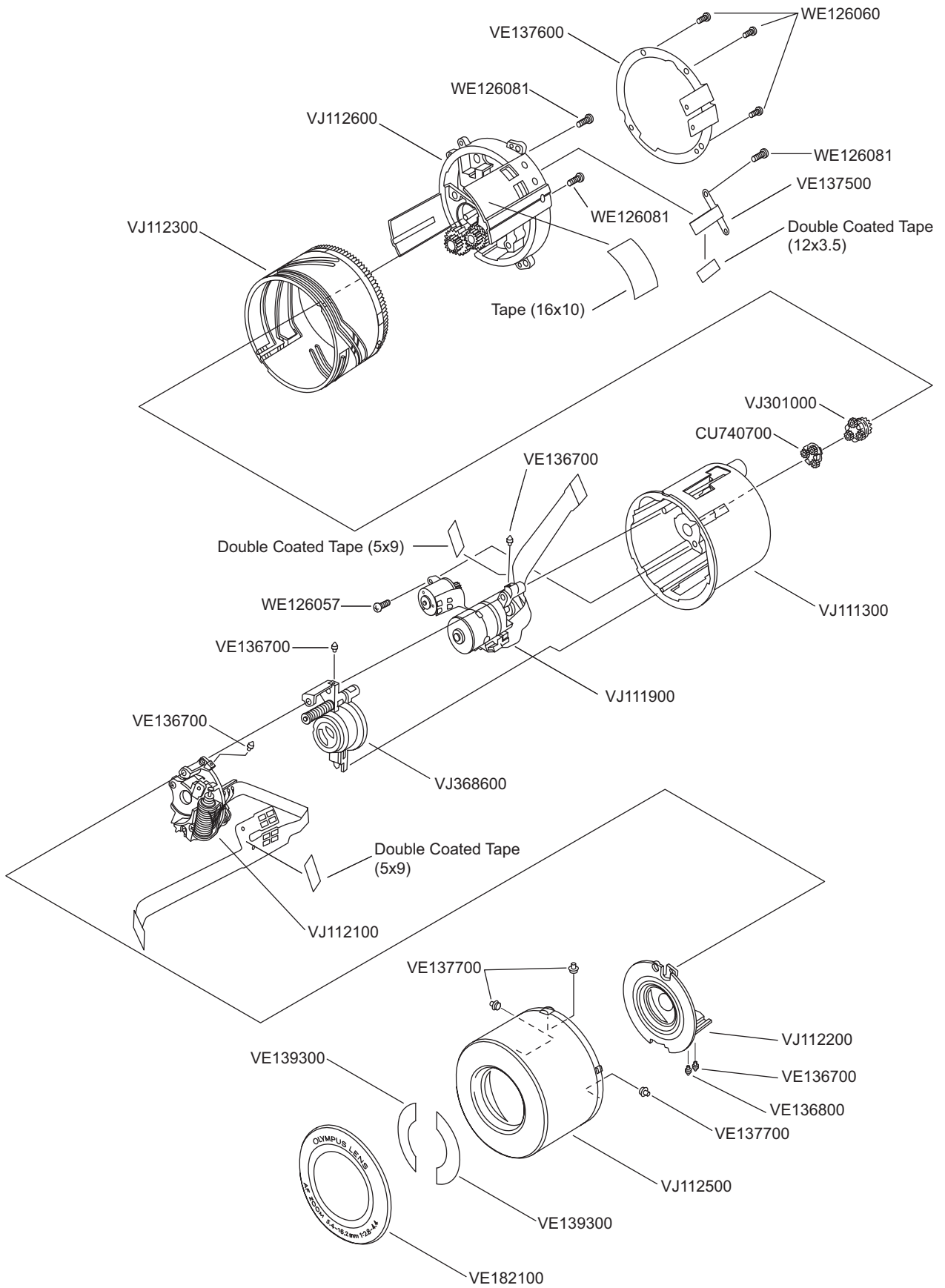
D

1

2

3

4



EXPLODED PARTS DIAGRAM

MODEL		FIG.
C-960 ZOOM / D-460 ZOOM		3/3
OLYMPUS OPTICAL CO.,LTD.TOKYO,JAPAN		

Ver.2/Rev.5
2002.08

PARTS LIST

C-960ZOOM/D-460ZOOM

REF NO	PARTS NO	DESCRIPTION	REMARKS	NOTE
	CU740700	CARRIER A#	3-D2	
	VC103800	BALL,CLICK	1-A3	
	VC111800	SPACER SXGA	2-C3	
	VC111900	MOUNTING,LENS	2-D2	
	VC112000	SPACER,INSULATOR	2-D2	
	VC112100	ASSY,BUTTON SHUTTER	1-B3	
	VC112400	BALL CLICK	1-B2	
	VC112800	ADHESIVE TAPE BUZZER	2-B2	
	VC112900	SPACER SY	2-B2	
	VC116600	SPACER WIRE	1-B3	
	VC116700	SPACER VF	2-C3	
	VC116900	SPRING FLASH	1-B2	
	VC117600	OPTICAL FILTER	2-C3	
	VC127400	SPACER MONITOR A	2-C1	
	VC127600	ADHESIVE TAPE	2-C1	
	VC129500	COMPL PWB,SY-1	2-B2	NEW
	VC129600	COMPL,CABI FRONT [D-460ZOOM(U)]	1-B3	NEW
	VC129700	ASSY,COVER LENS [D-460ZOOM(U)]	1-A4	NEW
	VC131401	COMPL,COVER BATT	1-C3	NEW
	VC131500	ASSY,COVER LENS [C-960ZOOM(E),(G)PAL,(G)NTSC]	1-A4	NEW
	VC131600	COMPL,FLASH UNIT	1-B2	NEW
	VC131700	SPACER MONITOR	1-D2	NEW
	VC131800	ADHESIVE TAPE	1-B3	NEW
	VC131900	COMPL,CABI BACK	1-D2	NEW
	VC132000	COMPL,CABI FRONT [C-960ZOOM(E),(G)PAL,(G)NTSC]	1-B3	NEW
	VC132100	SPACER MONITOR B	2-C1	NEW
	VC132200	SPACER BATTERY	2-B3	NEW
	VC250100	SCR PAN 2X4	2-D2	
	VC258000	SCR S-TPG PAN 2X6	2-D2	
	VC264100	SCR S-TPG PAN PCS 1.7X6	2-D2	
	VC264200	SCR S-TPG PAN PCS 2X3.5	1-B3	
	VC264400	SCR S-TPG PAN PCS 1.7X2.5	1-C3, 2-C2	
	VC264500	SCR S-TPG PAN PCS 1.7X4.0		
	VC266000	SCR S-TPG PAN PCS 1.7X3.5	1-C2, 2-B3	NEW
	VC266100	SCR S-TPG PAN PCS 1.7X6.5	2-D1	NEW
	VC743800	IC RJ23J1AB0AT	2-D2	
	VC859900	PZ BZR KBS-15DB-4A-35	2-B2	
	VC860000	ASSY,WIRE BATTERY & ST-1	2-A3	
	VC860100	ASSY,WIRE POWER SW&SY1	1-B3	
	VC860300	ASSY,WIRE STOROBO&SY1	1-B2	
	VC860400	SWITCH,LEAF 1P-1T	1-B3	
	VC860900	SWITCH,LEAF ST	1-B2	
	VC865000	LCD	2-C1	
	VC865400	SWITCH,PUSH	2-D1	NEW
	VC932400	PWB,JP-1 V0	2-C2	
	VC936200	COMPL PWB,CA-1 [C-960ZOOM(J)NTSC]	2-D2	NEW
	VC936300	COMPL PWB,ST-1	2-A3	NEW
	VC936400	COMPL PWB,CA-1 [D-460ZOOM(U),C-960ZOOM(G)NTSC]	2-D2	NEW
	VC936500	COMPL PWB,CA-1 [C-960ZOOM(E),(G)PAL]	2-D2	NEW
	VE041200	COVER SPACER	1-A4	
	VE041300	PANEL FRONT	1-A3	
	VE041500	DEC LCD	1-B3	
	VE041800	SPRING COMP RELEASE	1-B3	

PARTS LIST

C-960ZOOM/D-460ZOOM

REF NO	PARTS NO	DESCRIPTION	REMARKS	NOTE
	VE042000	BUTTON ZOOM	1-B3	
	VE042100	LEVER PROTECT	1-A3	
	VE042200	ARM PROTECT	1-B3	
	VE042600	SPRING COMP COVER	1-A3	
	VE043600	COVER FLASH	1-B2	
	VE044100	SPACER ST	1-B2	
	VE044300	COVER CARD	1-A3	
	VE136500	SPACER	2-C3	
	VE136700	CAM PIN A	3-B2,C2	
	VE136800	CAM PIN B	3-D4	
	VE137500	FPC PLATE	3-C1,D1	
	VE137600	PR PLATE	3-C1	
	VE137700	CAM PIN 1Z	3-C3,D4	
	VE139300	TAPE, DEC LENS	3-B3,C4	
	VE180400	KNOB ZOOM	1-B3	
	VE182100	DEC LENS	1-C4	
	VE186100	HOLDER CHASSIS	2-B3	NEW
	VE186200	HOLDER BATTERY	2-B3	NEW
	VE186300	TERMINAL BATTERY,A	2-A3	NEW
	VE186400	TERMINAL BATTERY,B	2-A3	NEW
	VE186500	TERMINAL BATTERY,C	2-A3	NEW
	VE186600	STAND	1-D2	NEW
	VE186700	SHAFT DOOR	1-A3	NEW
	VE186800	HOLDER BRKT HINGE	1-B3	NEW
	VE186900	HOLDER BRKT MONITOR	2-C2	NEW
	VE187000	CABINET FRONT	1-B3	NEW
	VE187400	BUTTON MODE,A	1-C2	NEW
	VE187500	BUTTON MODE,B	1-C2	NEW
	VE187600	COVER VF	1-D2	NEW
	VE187700	COVER BATTERY	1-C3	NEW
	VE187801	TERMINAL BATTERY,CB	1-C3	NEW
	VE188100	CABINET BACK	1-D2	NEW
	VE188200	DEC MONITOR	1-D1	NEW
	VE188300	HOLDER MONITOR	2-D1	NEW
	VE188400	COVER TERMINAL	1-B3	NEW
	VE391600	BATTERY SEAL[Two piece use]		NEW
	VJ111300	LENS BARREL#-1	3-D2	NEW
	VJ111900	4Z FRAME#	3-C2	NEW
	VJ112100	S FRAME#	3-B3	NEW
	VJ112200	2Z FRAME#	3-D3	NEW
	VJ112300	CAM FRAME#	3-A1	NEW
	VJ112500	1Z FRAME#-2	3-C4	NEW
	VJ112600	C HOLDER#	3-B1	NEW
	VJ112700	LENS	2-C3	
	VJ120100	LENS,VF	2-B2	
	VJ301000	CARRIER B#	3-D2	NEW
	VJ368600	3-4G FRAME R#	3-C3,D4	NEW
	WE126057	PUTB1.4X2.5SN	3-B2	
	WE126060	PUTB1.6X3SB	3-D1	
	WE126081	PUTB1.6X4SN	3-C1,D1	
A3001	VC865500	LCD(LM-7058C)	SY-1	NEW
CN141	VC858800	SOCKET,CARD 22P TO SSFDC	ST-1	
IC101	VC735900	IC MB86833PMT2-G-BND CPU	CA-1	

PARTS LIST

C-960ZOOM/D-460ZOOM

REF NO	PARTS NO	DESCRIPTION	REMARKS	NOTE
IC102	VC737800	IC KS4H8U1106CBP ASIC	CA-1	
IC103	VC743900	IC HY57V161610DTC-8 SDRAM	CA-1	
IC103	VC744300	IC MSM56V16160F-10TSKR1 SDRAM	CA-1	
IC106	VC737700	IC SN74LV273AP	CA-1	
IC107	VC737700	IC SN74LV273AP	CA-1	
IC111	VC744100	IC IMISG588BTB CLOCK-GENER	CA-1	
IC112	VC743700	IC IMISG587DTB	CA-1	
IC121	VC745700	IC 26000874E PROGRAM-FLASH [C-960ZOOM(J)NTSC]	CA-1	NEW
IC121	VC745900	IC 26001874C [D-460ZOOM(U),C-960ZOOM(G)NTSC]	CA-1	NEW
IC121	VC746000	IC 26002874D [C-960ZOOM(E),(G)PAL]	CA-1	NEW
IC131	VC735100	IC ADM3202ARU	CA-1	
IC141	VC737600	IC SN74LV245AP	CA-1	
IC144	VC733000	IC PST9128NR	ST-1	
IC152	VC736900	IC TK15405M VIDEO-AMP	CA-1	
IC171	VC743300	IC IR3Y29B4 LCD DRIVER	CA-1	
IC172	VC735000	IC TK11348BM	CA-1	
IC174	VC743400	IC MB88347PFV-G-BND D/A CONVERTER	CA-1	
IC175	VC743200	IC NJM3414AV	CA-1	
IC176	VC703000	IC NJM2107F	CA-1	
IC177	VC734800	IC TC7S08FU	CA-1	
IC301	VC745800	IC UPD78062GC-A26-8EU	SY-1	NEW
IC302	VC727100	S-8423NFS BACKUP	SY-1	
IC501	VC735300	IC BA9737KV	ST-1	
IC502	VC736700	IC TA75S01F	ST-1	
IC902	VC734900	IC 74VHC04MTC (H.DRIVER)	CA-1	
IC904	VC737100	IC LR366854 (V.DRIVER)	CA-1	
IC905	VC735600	IC AD9802JSTRL (CDS,AD)	CA-1	
IC909	VC732900	IC TK11331BM	CA-1	
IC952	VC719900	IC LA6358NM	CA-1	
IC953	VC738100	IC LB1836M	CA-1	
IC954	VC738100	IC LB1836M	CA-1	
IC955	VC738200	IC TC7S66F (ANALOG SW)	CA-1	
IC956	VC738200	IC TC7S66F (ANALOG SW)	CA-1	
IC957	VC738100	IC LB1836M	CA-1	
IC958	VC738200	IC TC7S66F (ANALOG SW)	CA-1	
IC959	VC738200	IC TC7S66F (ANALOG SW)	CA-1	
JK102	VC859800	JACK,PHONE D3.6 VIDEO JACK	CA-1	
JK103	VC859500	JACK,PHONE D2.6 PC JACK	CA-1	
JK501	VC857100	SOCKET,DC DC JACK	ST-1	
PR501	VC865800	FUSE,32V,2A	ST-1	
PR502	VC865800	FUSE,32V,2A	ST-1	
PR503	VC865800	FUSE,32V,2A	ST-1	
Q1301	VC619500	TR DTC144EE	CA-1	
Q1303	VC618300	TR DTA144EUA	CA-1	
Q1303	VC609200	TR UN5113	CA-1	
Q1501	VC619000	TR UMT1N	CA-1	
Q1502	VC615800	TR UMZ1N	CA-1	
Q1503	VC619000	TR UMT1N	CA-1	
Q1504	VC615800	TR UMZ1N	CA-1	
Q1505	VC609400	TR 2SA1745-7	CA-1	
Q1505	VC609500	TR 2SA1745-6	CA-1	
Q1506	VC617500	TR DTC114EUA	CA-1	
Q1508	VC619500	TR DTC144EE	CA-1	

PARTS LIST

C-960ZOOM/D-460ZOOM

REF NO	PARTS NO	DESCRIPTION	REMARKS	NOTE
Q1509	VC619500	TR DTC144EE	CA-1	
Q1601	VC618700	TR DTC114EE	CA-1	
Q1602	VC609400	TR 2SA1745-7	CA-1	
Q1602	VC609500	TR 2SA1745-6	CA-1	
Q1701	VC607900	TR 2SD1819A-R	CA-1	
Q1701	VC603200	TR 2SC4081-R	CA-1	
Q1702	VC607800	TR 2SB1218A-R	CA-1	
Q1702	VC603300	TR 2SA1576-R	CA-1	
Q1751	VC618200	TR DTC144EUA	CA-1	
Q1751	VC609300	TR UN5213	CA-1	
Q3001	VC603600	TR 2SA1677	SY-1	
Q3001	VC614800	TR DTA124EU	SY-1	
Q3001	VC615300	TR UN5112	SY-1	
Q3002	VC602600	TR 2SA1676	SY-1	
Q3002	VC611800	TR DTA144EU	SY-1	
Q3002	VC609200	TR UN5113	SY-1	
Q3003	VC604100	TR 2SC4396	SY-1	
Q3003	VC604700	TR DTC144EU	SY-1	
Q3003	VC609300	TR UN5213	SY-1	
Q3031	VC607900	TR 2SD1819A-R	SY-1	
Q3031	VC603200	TR 2SC4081-R	SY-1	
Q5001	VC619300	TR CPH3109	ST-1	
Q5002	VC617300	TR 2SA1577-Q	ST-1	
Q5002	VC617400	TR 2SA1577-R	ST-1	
Q5003	VC618600	TR 2SC4617 R	ST-1	
Q5004	VC616900	TR UMC2N	ST-1	
Q5005	VC617300	TR 2SA1577-Q	ST-1	
Q5005	VC617400	TR 2SA1577-R	ST-1	
Q5006	VC616700	TR UMH11N	ST-1	
Q5007	VC616300	TR FP106-TL SW	ST-1	
Q5008	VC619300	TR CPH3109	ST-1	
Q5010	VC615800	TR UMZ1N	ST-1	
Q5010	VC609800	TR XP4601	ST-1	
Q5011	VC621200	TR CPH3215	ST-1	
Q5012	VC604000	TR 2SB815-B7	ST-1	
Q5012	VC600700	TR 2SB815-B6	ST-1	
Q5012	VC618100	TR 2SB1197K-R	ST-1	
Q5013	VC618700	TR DTC114EE	ST-1	
Q5014	VC618000	TR 2SC3647-S	ST-1	
Q5014	VC621100	TR 2SC3647-T	ST-1	
Q5015	VC618000	TR 2SC3647-S	ST-1	
Q5015	VC621100	TR 2SC3647-T	ST-1	
Q5016	VC615800	TR UMZ1N	ST-1	
Q5016	VC609800	TR XP4601	ST-1	
Q5017	VC618600	TR 2SC4617 R	ST-1	
Q5018	VC617300	TR 2SA1577-Q	ST-1	
Q5018	VC617400	TR 2SA1577-R	ST-1	
Q5021	VC618600	TR 2SC4617 R	ST-1	
Q5022	VC618900	TR DTA114YE	ST-1	
Q5023	VC616900	TR UMC2N	ST-1	
Q5024	VC618700	TR DTC114EE	ST-1	
Q5026	VC617300	TR 2SA1577-Q	ST-1	
Q5026	VC617400	TR 2SA1577-R	ST-1	

PARTS LIST

C-960ZOOM/D-460ZOOM

REF NO	PARTS NO	DESCRIPTION	REMARKS	NOTE
Q5027	VC618700	TR DTC114EE	ST-1	
Q5028	VC616700	TR UMH11N	ST-1	
Q5401	VC618800	TR DTC123JE	ST-1	
Q5402	VC618700	TR DTC114EE	ST-1	
Q5405	VC619200	TR CPH3205	ST-1	
Q5406	VC616400	TR 2SB1302-S	ST-1	
Q5407	VC618600	TR 2SC4617 R	ST-1	
Q5409	VC619400	TR CY20AAJ-8	ST-1	
Q9001	VC614700	TR 2SC4399-4	CA-1	
Q9001	VC602900	TR 2SC4399-5	CA-1	
Q9002	VC607900	TR 2SD1819A-R	CA-1	
Q9002	VC603200	TR 2SC4081-R	CA-1	
Q9003	VC607900	TR 2SD1819A-R	CA-1	
Q9003	VC603200	TR 2SC4081-R	CA-1	
Q9004	VC607900	TR 2SD1819A-R	CA-1	
Q9004	VC603200	TR 2SC4081-R	CA-1	
Q9015	VC615800	TR UMZ1N	CA-1	
Q9015	VC609800	TR XP4601	CA-1	
Q9041	VC617500	TR DTC114EUA	CA-1	
Q9501	VC603800	TR 2SB1202-S	CA-1	
Q9501	VC620800	TR 2SB1202-T	CA-1	
Q9502	VC607900	TR 2SD1819A-R	CA-1	
Q9502	VC603200	TR 2SC4081-R	CA-1	
Q9503	VC603800	TR 2SB1202-S	CA-1	
Q9503	VC620800	TR 2SB1202-T	CA-1	
Q9504	VC607900	TR 2SD1819A-R	CA-1	
Q9504	VC603200	TR 2SC4081-R	CA-1	
Q9507	VC618500	TR DTC123EU	CA-1	
Q9508	VC616400	TR 2SB1302-S	CA-1	
Q9508	VC621300	TR 2SB1302-T	CA-1	NEW
Q9509	VC617600	TR DTC123JUA	CA-1	
Q9510	VC617600	TR DTC123JUA	CA-1	
Q9511	VC617600	TR DTC123JUA	CA-1	
Q9512	VC617500	TR DTC114EUA	CA-1	
Q9513	VC614700	TR 2SC4399-4	CA-1	
Q9513	VC602900	TR 2SC4399-5	CA-1	
Q9514	VC614300	TR DTC115EU	CA-1	
Q9546	VC618300	TR DTA144EUA	CA-1	
Q9546	VC609200	TR UN5113	CA-1	
S1401	VC865100	SWITCH,PUSH 1P-1T	ST-1	
S3029	VC857200	SWITCH,PUSH 1P-2T	SY-1	
T5001	VC865600	TRANS,POWER,PULSE	ST-1	NEW
T5002	VC864800	TRANS,POWER,PULSE	ST-1	
T5003	VC865700	TRANS,POWER,PULSE	ST-1	NEW
T5401	VC863000	TRANS,STEP UP	ST-1	
T5402	VC860500	TRANS,OSC,TRIGGER	ST-1	
X1101	VC857600	OSC,CRYSTAL 14.31818MHZ [C-21(U),(G)NTSC] RIVER	CA-1	
X1101	VC864500	OSC,CRYSTAL 14.31818MHZ	CA-1	
X1701	VC861600	OSC,CRYSTAL 3.579545MHZ [C-21(U),(G)NTSC] RIVER	CA-1	
X3001	VC862100	OSC,CERAMIC 4.00MHZ	SY-1	
X3002	VC818600	OSC CRYSTAL 32.768KHZ	SY-1	
	VC132300	SPACER SY A-SR874		NEW
	VC132400	SPACER SY B-SR874		NEW

PARTS LIST

C-960ZOOM/D-460ZOOM

REF NO	PARTS NO	DESCRIPTION	REMARKS	NOTE
	VC132500	SPACER CAPA SR874		NEW
	VC132600	SPACER ST1 A-SR874		NEW
	VC132700	SPACER ST1 B-SR874		NEW
	VC132700	SPACER ST1 B-SR874		NEW
	VT0734	SERIAL NUMBER SEAL FOR OE (Made in Japan)		
	VT1182	SERIAL NUMBER SEAL FOR OE (Made in Korea)		
	VT2549	SERIAL NUMBER SEAL FOR OE (Made in Indonesia)		
	VT0733	SERIAL NUMBER SEAL FOR OAI (Made in Japan)		
	VT1181	SERIAL NUMBER SEAL FOR OAI (Made in Korea)		
	VT1197	SERIAL NUMBER SEAL FOR OAI (Made in Indonesia)		

EXPLODED PARTS DIAGRAM PARTS LIST

C-960ZOOM2/D-460ZOOM2

EXPLODED PARTS DIAGRAM.PARTS LIST

A

B

C

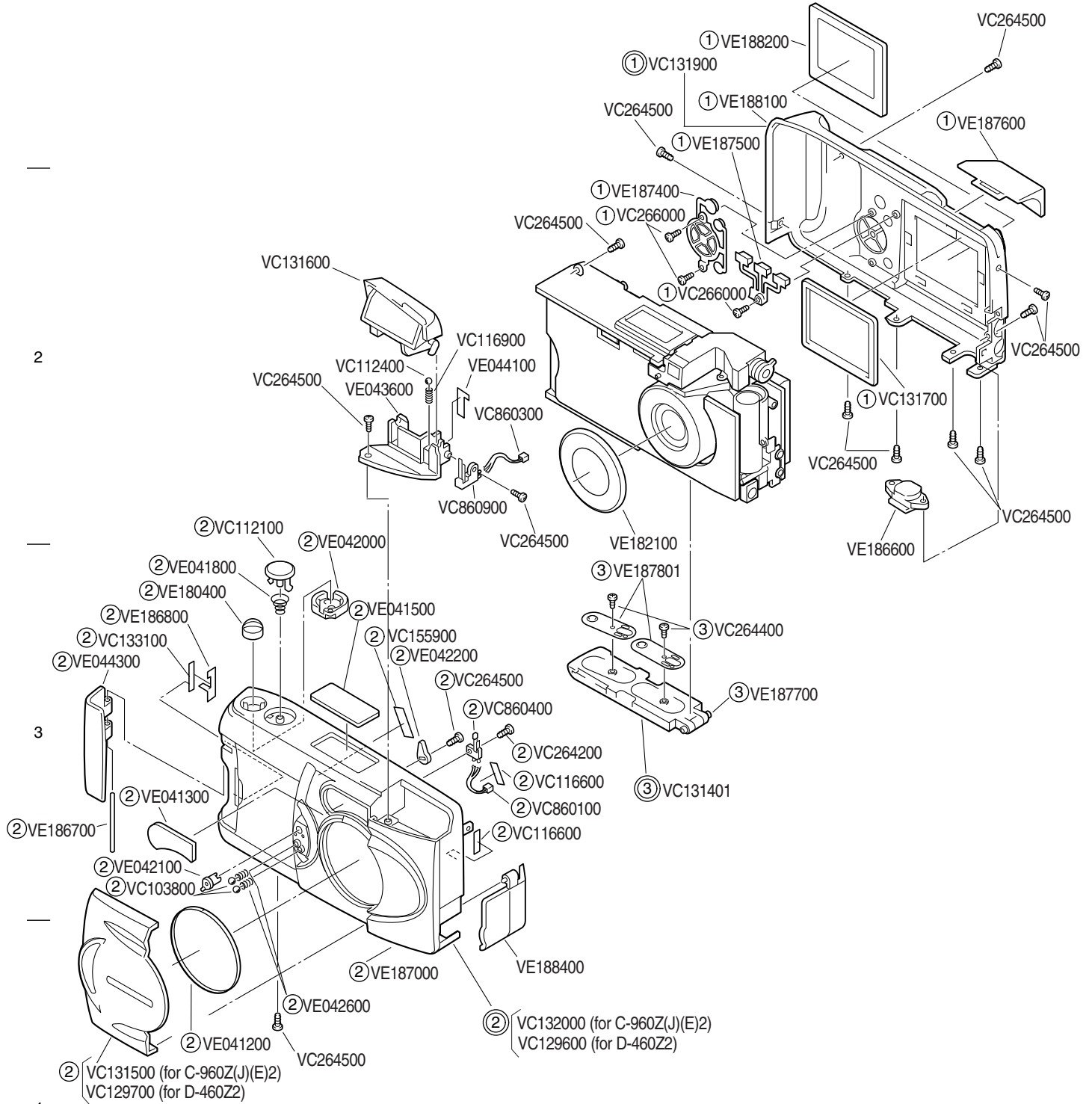
D

1

2

3

4



EXPLODED PARTS DIAGRAM

MODEL	FIG.
C-960ZOOM2/D-460ZOOM2	1/3
OLYMPUS OPTICAL CO.,LTD.TOKYO,JAPAN	

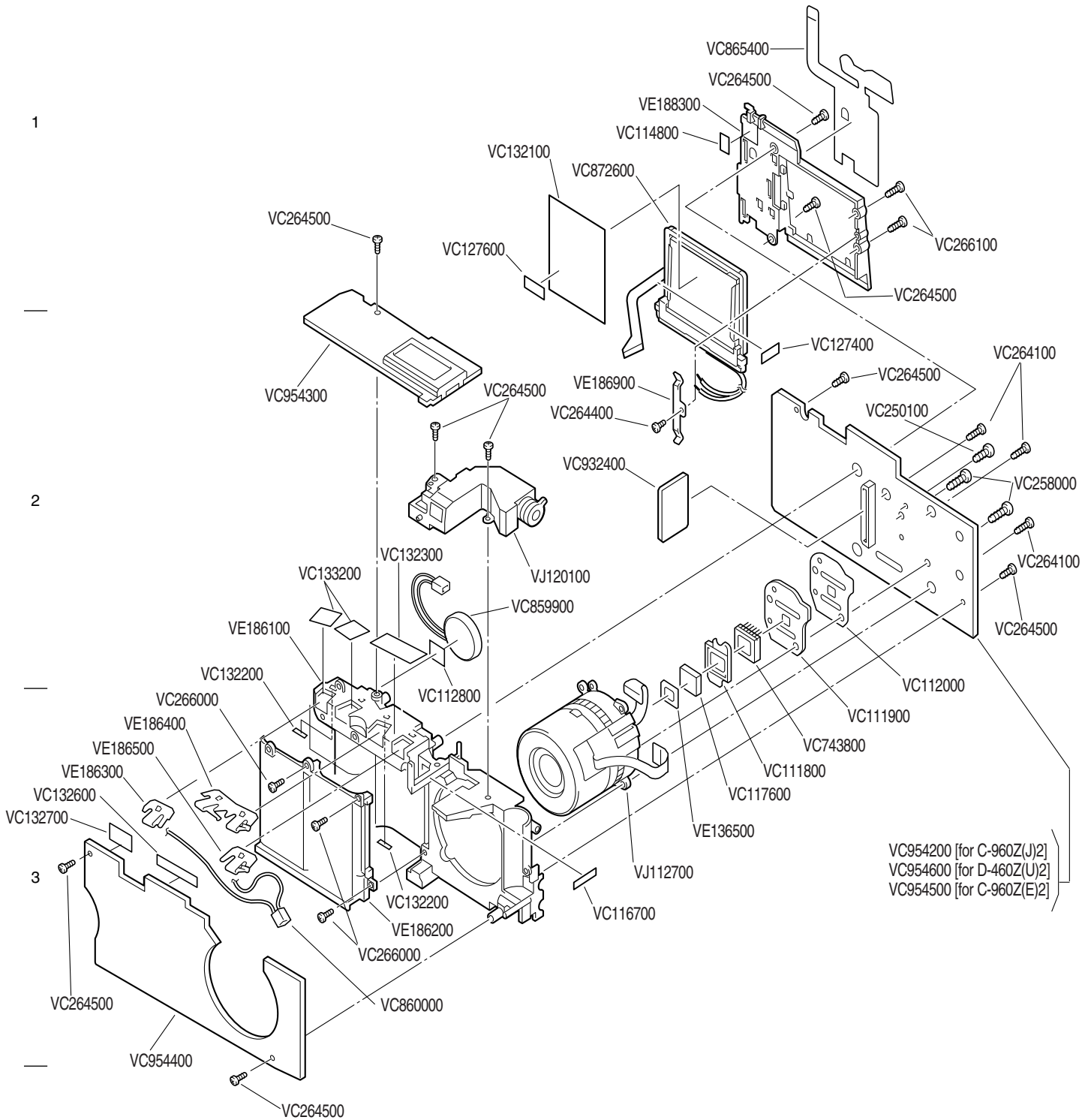
Ver.2/Rev.6
2002.03

A

B

C

D



EXPLODED PARTS DIAGRAM

MODEL	FIG.
C-960ZOOM2/D-460ZOOM2	2/3
OLYMPUS OPTICAL CO.,LTD.TOKYO,JAPAN	

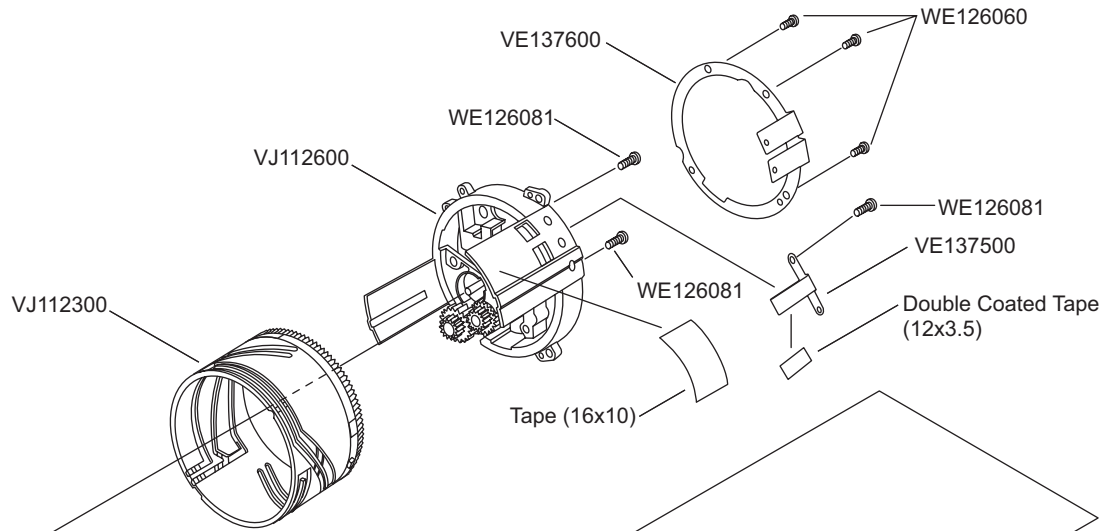
A

B

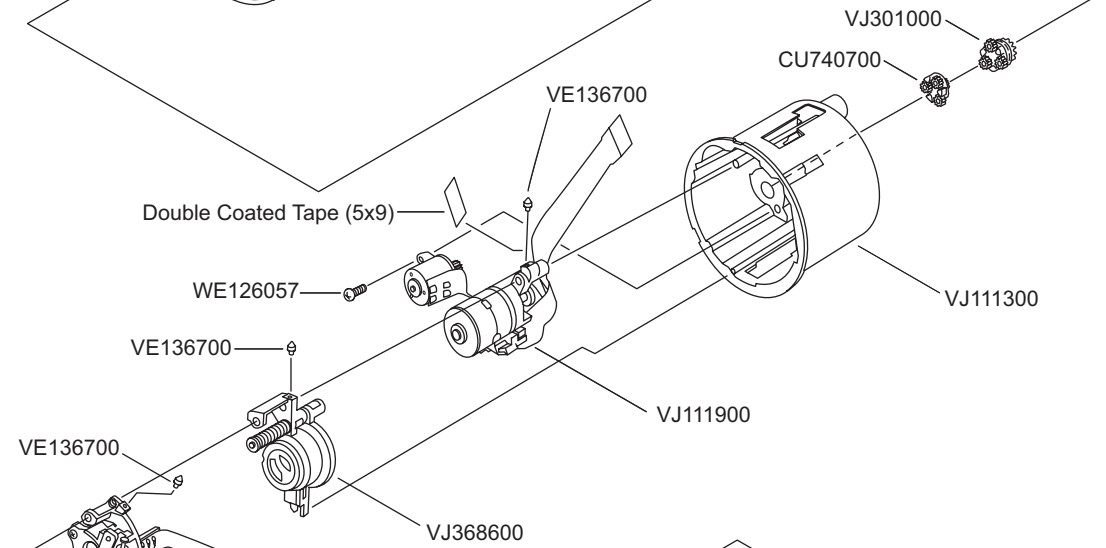
C

D

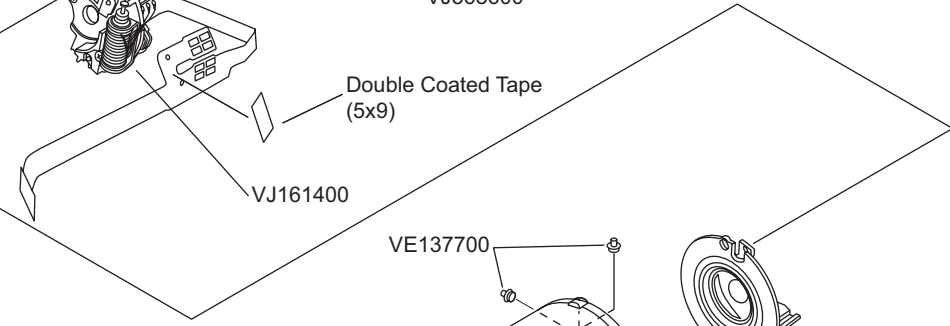
1



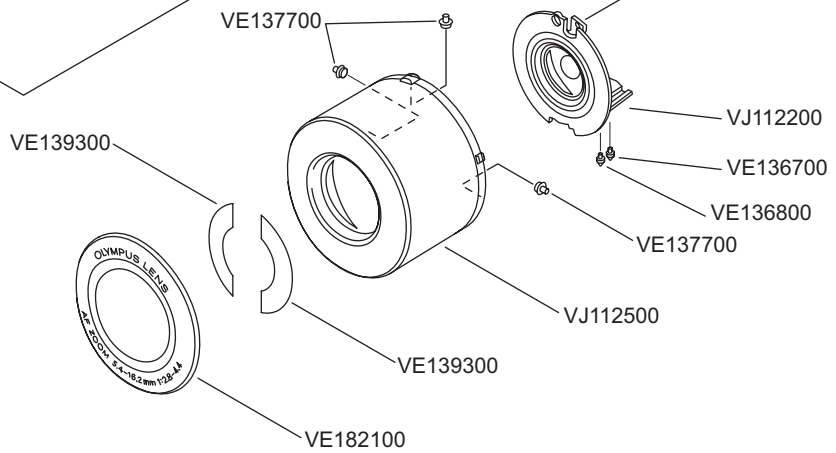
2



3



4



EXPLODED PARTS DIAGRAM

MODEL	FIG.
C-960ZOOM2 / D-460ZOOM2	3/3
OLYMPUS OPTICAL CO.,LTD.TOKYO,JAPAN	

Ver.2/Rev.5
2002.08

PARTS LIST

C-960ZOOM2/D-460ZOOM2

REF NO	PARTS NO	DESCRIPTION	REMARKS	NOTE
	CU740700	CARRIER A#	3-D2	
	VC103800	BALL,CLICK	1-A3	
	VC111800	SPACER SXGA	2-C3	
	VC111900	MOUNTING,LENS	2-D3	
	VC112000	SPACER,INSULATOR	2-D2	
	VC112100	ASSY,BUTTON SHUTTER	1-A3	
	VC112400	BALL CLICK	1-B2	
	VC112800	ADHESIVE TAPE BUZZER	2-B3	
	VC114800	ADHESIVE TAPE F	2-C1	
	VC116600	SPACER WIRE	1-B3	
	VC116700	SPACER VF	2-C3	
	VC116900	SPRING FLASH	1-B2	
	VC117600	OPTICAL FILTER	2-C3	
	VC127400	SPACER MONITOR A	2-D1	
	VC127600	ADHESIVE TAPE	2-B1	
	VC129600	COMPL,CABI FRONT-SV [D-460ZOOM(U)]	1-B4	
	VC129700	ASSY,COVER LENS [D-460ZOOM(U)]	1-A4	
	VC131401	COMPL,COVER BATT	1-C3	NEW
	VC131500	ASSY,COVER LENS [C-960ZOOM(J)(E)]	1-A4	
	VC131600	COMPL,FLASH UNIT	1-B2	
	VC131700	SPACER MONITOR	1-D2	
	VC131900	COMPL,CABI BACK-SV	1-C1	
	VC132000	COMPL,CABI FRONT-SV [C-960ZOOM(J)(E)]	1-B4	
	VC132100	SPACER MONITOR B	2-C1	
	VC132200	SPACER BATTERY	2-B3	
	VC132300	SPACER SY A	2-B2	
	VC132600	SPACER ST1 A	2-A3	
	VC132700	SPACER ST1 B	2-A3	
	VC133100	ADHESIVE TAPE HINGE	1-A3	
	VC133200	SPACER SY B	2-B2	
	VC155900	ADHESIVE TAPE FRONT	1-B3	NEW
	VC250100	SCR PAN 2X4	2-D2	
	VC258000	SCR S-TPG PAN 2X6	2-D2	
	VC264100	SCR S-TPG PAN PCS 1.7X6	2-D2	
	VC264200	SCR S-TPG PAN PCS 2X3.5	1-B3	
	VC264400	SCR S-TPG PAN PCS 1.7X2.5	1-C3	
	VC264400	SCR S-TPG PAN PCS 1.7X2.5	2-C2	
	VC264500	SCR S-TPG PAN PCS 1.7X4.0	1-B4	
	VC264500	SCR S-TPG PAN PCS 1.7X4.0	2-A4	
	VC266000	SCR S-TPG PAN PCS 1.7X3.5	1-C2	
	VC266000	SCR S-TPG PAN PCS 1.7X3.5	2-A3	
	VC266100	SCR S-TPG PAN PCS 1.7X6.5	2-D1	
	VC743800	IC RJ23J1AB0AT	2-D3	
	VC859900	PZ BZR KBS-15DB-4A-35	2-B3	
	VC860000	ASSY,WIRE BATTERY&ST1-87	2-B3	
	VC860100	ASSY,WIRE POWER SW&SY1	1-B3	
	VC860300	ASSY,WIRE STOROBO&SY1	1-B2	
	VC860400	SWITCH,LEAF 1P-1T	1-B3	
	VC860900	SWITCH,LEAF ST	1-B2	
	VC865400	SWITCH,PUSH	2-D1	
	VC872600	LCD	2-C1	NEW
	VC932400	PWB,JP-1 V0	2-C2	

PARTS LIST

C-960ZOOM2/D-460ZOOM2

REF NO	PARTS NO	DESCRIPTION	REMARKS	NOTE
	VC954200	COMPL PWB,CA-1 [C-960ZOOM(J)2]	2-D3	NEW
	VC954300	COMPL PWB,SY-1	2-B2	NEW
	VC954400	COMPL PWB,ST-1	2-A3	NEW
	VC954500	COMPL PWB,CA-1 [C-960ZOOM(E)2]	2-D3	NEW
	VC954600	COMPL PWB,CA-1 [D-460ZOOM(U)2]	2-D3	NEW
	VE041200	COVER SPACER	1-A4	
	VE041300	PANEL FRONT	1-A3	
	VE041500	DEC LCD	1-B3	
	VE041800	SPRING COMP RELEASE	1-A3	
	VE042000	BUTTON ZOOM	1-B3	
	VE042100	LEVER PROTECT	1-A3	
	VE042200	ARM PROTECT	1-B3	
	VE042600	SPRING COMP COVER L	1-B4	
	VE043600	COVER FLASH	1-B2	
	VE044100	SPACER ST	1-B2	
	VE044300	COVER CARD	1-A3	
	VE136500	SPACER	2-C3	
	VE136700	CAM PIN A	3-B2,C2	
	VE136800	CAM PIN B	3-D4	
	VE137500	FPC PLATE	3-D1	
	VE137600	PR PLATE	3-C1	
	VE137700	CAM PIN 1Z	3-C3,D4	
	VE139300	TAPE, DEC LENS	3-B3,C4	
	VE180400	KNOB ZOOM	1-A3	
	VE182100	DEC LENS	1-C2	
	VE186100	HOLDER CHASSIS	2-A2	
	VE186200	HOLDER BATTERY	2-B3	
	VE186300	TERMINAL BATTERY,A	2-A3	
	VE186400	TERMINAL BATTERY,B	2-A3	
	VE186500	TERMINAL BATTERY,C	2-A3	
	VE186600	STAND	1-D3	
	VE186700	SHAFT DOOR	1-A3	
	VE186800	HOLDER BRKT HINGE	1-A3	
	VE186900	HOLDER BRKT MONITOR	2-C2	
	VE187000	CABINET FRONT	1-B4	
	VE187400	BUTTON MODE,A	1-C2	
	VE187500	BUTTON MODE,B	1-C2	
	VE187600	COVER VF	1-D1	
	VE187700	COVER BATTERY	1-C3	
	VE187801	TERMINAL BATTERY,CB	1-C3	NEW
	VE188100	CABINET BACK	1-C1	
	VE188200	DEC MONITOR	1-D1	
	VE188300	HOLDER MONITOR	2-C1	
	VE188400	COVER TERMINAL	1-B4	
	VE391600	BATTERY SEAL[Two piece use]		NEW
	VJ111300	LENS BARREL#-1	3-D2	
	VJ111900	4Z FRAME#	3-C2	
	VJ112200	2Z FRAME#	3-D3	
	VJ112300	CAM FRAME#	3-A1	
	VJ112500	1Z FRAME#-2	3-C4	
	VJ112600	C HOLDER#	3-B1	
	VJ112700	LENS(ASSY)	2-C3	

PARTS LIST

C-960ZOOM2/D-460ZOOM2

REF NO	PARTS NO	DESCRIPTION	REMARKS	NOTE
	VJ120100	LENS,VF(ASSY)	2-C2	
	VJ161400	S FRAME#	3-B3	NEW
	VJ301000	CARRIER B#	3-D2	
	VJ368600	3-4G FRAME R#	3-C3	
	WE126057	PUTB1.4X2.5SN	3-B2	
	WE126060	PUTB1.6X3SB	3-D1	
	WE126081	PUTB1.6X4SN	3-C1,D1	
A3001	VC865500	LCD(LM-7058C)	SY-1	
CN141	VC858800	SOCKET,CARD 22P	TO SMARTMEDIA ST-1	
IC101	VC735900	IC MB86833PMT2-G-BND	CPU CA-1	
IC102	VC737800	IC KS4H8U1106CBP	ASIC CA-1	
IC103	VC743900	IC HY57V161610DTC-8	SDRAM CA-1	
IC103	VC744300	IC MSM56V16160F-10TSKR1	SDRAM CA-1	
IC106	VC737700	IC SN74LV273AP	D-FF CA-1	
IC107	VC737700	IC SN74LV273AP	D-FF CA-1	
IC111	VC744100	IC IMISG588BTB	CLOCK-GENER CA-1	
IC112	VC743700	IC IMISG587DTB	CA-1	
IC121	VC773900	IC 26006874E [C-960ZOOM(J)2]	PROGRAM-FLASH CA-1	NEW
IC121	VC774000	IC 26007874E [D-460ZOOM(U)2]	PROGRAM-FLASH CA-1	NEW
IC121	VC774100	IC 26008874E [C-960ZOOM(E)2]	PROGRAM-FLASH CA-1	NEW
IC131	VC735100	IC ADM3202ARU	TRANSCEIVER CA-1	
IC131	VC774200	IC SP3232ECY	TRANSCEIVER CA-1	NEW
IC141	VC737600	IC SN74LV245AP	BUFFER CA-1	
IC144	VC733000	IC PST9128NR	ST-1	
IC152	VC736900	IC TK15405M	VIDEO-AMP CA-1	
IC171	VC743300	IC IR3Y29B4	LCD DRIVER CA-1	
IC172	VC735000	IC TK11348BM	REGULATOR CA-1	
IC174	VC743400	IC MB88347PFV-G-BND	D/A CONVERTER CA-1	
IC175	VC743200	IC NJM3414AV	CA-1	
IC176	VC703000	IC NJM2107F	CA-1	
IC177	VC734800	IC TC7S08FU	CA-1	
IC301	VC745800	IC UPD78062GC-A26-8EU	SY-1	
IC302	VC727100	S-8423NFS	BACKUP SY-1	
IC501	VC735300	IC BA9737KV	ST-1	
IC502	VC736700	IC TA75S01F	ST-1	
IC902	VC734900	IC 74VHC04MTC	(H.DRIVER) CA-1	NEW
IC904	VC737100	IC LR366854	CA-1	
IC905	VC735600	IC AD9802JSTRL	CA-1	
IC909	VC732900	IC TK11331BM	CA-1	
IC952	VC773800	IC LA6358NM	CA-1	NEW
IC953	VC738100	IC LB1836M	(ZOOM DRIVER) CA-1	
IC954	VC738100	IC LB1836M	(FOCUS DRIVER) CA-1	
IC955	VC738200	IC TC7S66F	(ANALOG SW) CA-1	
IC956	VC738200	IC TC7S66F	(ANALOG SW) CA-1	
IC957	VC738100	IC LB1836M	(IRIS DRIVER) CA-1	
IC958	VC738200	IC TC7S66F	(ANALOG SW) CA-1	
IC959	VC738200	IC TC7S66F	(ANALOG SW) CA-1	
JK102	VC859800	JACK,PHONE D3.6	VIDEO JACK CA-1	
JK103	VC859500	JACK,PHONE D2.6	PC JACK CA-1	
JK501	VC857100	SOCKET,DC	DC JACK ST-1	
PR501	VC865800	FUSE 32V 2A	ST-1	
PR502	VC865800	FUSE 32V 2A	ST-1	

PARTS LIST

C-960ZOOM2/D-460ZOOM2

REF NO	PARTS NO	DESCRIPTION	REMARKS	NOTE
PR503	VC865800	FUSE 32V 2A	ST-1	
Q1301	VC619500	TR DTC144EE	CA-1	
Q1303	VC618300	TR DTA144EUA	CA-1	
Q1303	VC609200	TR UN5113	CA-1	
Q1303	VC602600	TR 2SA1676	CA-1	
Q1501	VC619000	TR UMT1N	CA-1	
Q1502	VC615800	TR UMZ1N	CA-1	
Q1502	VC609800	TR XP4601	CA-1	
Q1503	VC619000	TR UMT1N	CA-1	
Q1504	VC615800	TR UMZ1N	CA-1	
Q1504	VC609800	TR XP4601	CA-1	
Q1505	VC609400	TR 2SA1745-7	CA-1	
Q1505	VC609500	TR 2SA1745-6	CA-1	
Q1506	VC617500	TR DTC114EUA	CA-1	
Q1506	VC621700	TR UN5211	CA-1	
Q1506	VC617100	TR 2SC4398	CA-1	
Q1508	VC619500	TR DTC144EE	CA-1	
Q1509	VC619500	TR DTC144EE	CA-1	
Q1601	VC618700	TR DTC114EE	CA-1	
Q1602	VC609400	TR 2SA1745-7	CA-1	
Q1602	VC609500	TR 2SA1745-6	CA-1	
Q1701	VC607900	TR 2SD1819A-R	CA-1	
Q1701	VC603200	TR 2SC4081-R	CA-1	
Q1702	VC607800	TR 2SB1218A-R	CA-1	
Q1702	VC603300	TR 2SA1576-R	CA-1	
Q1751	VC618200	TR DTC144EUA	CA-1	
Q1751	VC609300	TR UN5213	CA-1	
Q1751	VC604100	TR 2SC4396	CA-1	
Q3001	VC603600	TR 2SA1677	SY-1	
Q3001	VC615300	TR UN5112	SY-1	
Q3001	VC622300	TR DTA124EUA	SY-1	
Q3002	VC602600	TR 2SA1676	SY-1	
Q3002	VC609200	TR UN5113	SY-1	
Q3002	VC618300	TR DTA144EUA	SY-1	
Q3003	VC604100	TR 2SC4396	SY-1	
Q3003	VC609300	TR UN5213	SY-1	
Q3003	VC618200	TR DTC144EUA	SY-1	
Q3031	VC607900	TR 2SD1819A-R	SY-1	
Q3031	VC603200	TR 2SC4081-R	SY-1	
Q5001	VC619300	TR CPH3109	ST-1	
Q5002	VC617300	TR 2SA1577-Q	ST-1	
Q5002	VC617400	TR 2SA1577-R	ST-1	
Q5003	VC618600	TR 2SC4617 R	ST-1	
Q5004	VC616900	TR UMC2N	ST-1	
Q5005	VC617300	TR 2SA1577-Q	ST-1	
Q5005	VC617400	TR 2SA1577-R	ST-1	
Q5006	VC616700	TR UMH11N	ST-1	
Q5007	VC616300	TR FP106	ST-1	
Q5008	VC619300	TR CPH3109	ST-1	
Q5010	VC615800	TR UMZ1N	ST-1	
Q5010	VC609800	TR XP4601	ST-1	
Q5011	VC621200	TR CPH3215	ST-1	

PARTS LIST

C-960ZOOM2/D-460ZOOM2

REF NO	PARTS NO	DESCRIPTION	REMARKS	NOTE
Q5012	VC604000	TR 2SB815-B7	ST-1	
Q5012	VC600700	TR 2SB815-B6	ST-1	
Q5012	VC618100	TR 2SB1197K-R	ST-1	
Q5013	VC618700	TR DTC114EE	ST-1	
Q5014	VC618000	TR 2SC3647-S	ST-1	
Q5014	VC621100	TR 2SC3647-T	ST-1	
Q5015	VC618000	TR 2SC3647-S	ST-1	
Q5015	VC621100	TR 2SC3647-T	ST-1	
Q5016	VC615800	TR UMZ1N	ST-1	
Q5016	VC609800	TR XP4601	ST-1	
Q5017	VC618600	TR 2SC4617 R	ST-1	
Q5018	VC617300	TR 2SA1577-Q	ST-1	
Q5018	VC617400	TR 2SA1577-R	ST-1	
Q5021	VC618600	TR 2SC4617 R	ST-1	
Q5022	VC618900	TR DTA114YE	ST-1	
Q5023	VC616900	TR UMC2N	ST-1	
Q5024	VC618700	TR DTC114EE	ST-1	
Q5026	VC617300	TR 2SA1577-Q	ST-1	
Q5026	VC617400	TR 2SA1577-R	ST-1	
Q5027	VC618700	TR DTC114EE	ST-1	
Q5028	VC616700	TR UMH11N	ST-1	
Q5401	VC618800	TR DTC123JE	ST-1	
Q5402	VC618700	TR DTC114EE	ST-1	
Q5405	VC619200	TR CPH3205	ST-1	
Q5406	VC616400	TR 2SB1302-S	ST-1	
Q5407	VC618600	TR 2SC4617 R	ST-1	
Q5409	VC619400	TR CY20AAJ-8	ST-1	
Q9001	VC614700	TR 2SC4399-4	CA-1	
Q9001	VC602900	TR 2SC4399-5	CA-1	
Q9002	VC607900	TR 2SD1819A-R	CA-1	
Q9002	VC603200	TR 2SC4081-R	CA-1	
Q9003	VC607900	TR 2SD1819A-R	CA-1	
Q9003	VC603200	TR 2SC4081-R	CA-1	
Q9004	VC607900	TR 2SD1819A-R	CA-1	
Q9004	VC603200	TR 2SC4081-R	CA-1	
Q9015	VC615800	TR UMZ1N	CA-1	
Q9015	VC609800	TR XP4601	CA-1	
Q9041	VC617500	TR DTC114EUA	CA-1	
Q9041	VC621700	TR UN5211	CA-1	
Q9041	VC617100	TR 2SC4398	CA-1	
Q9501	VC603800	TR 2SB1202-S	CA-1	
Q9501	VC620800	TR 2SB1202-T	CA-1	
Q9502	VC607900	TR 2SD1819A-R	CA-1	
Q9502	VC603200	TR 2SC4081-R	CA-1	
Q9503	VC603800	TR 2SB1202-S	CA-1	
Q9503	VC620800	TR 2SB1202-T	CA-1	
Q9504	VC607900	TR 2SD1819A-R	CA-1	
Q9504	VC603200	TR 2SC4081-R	CA-1	
Q9507	VC622500	TR DTC123EUA	CA-1	
Q9508	VC616400	TR 2SB1302-S	CA-1	
Q9508	VC621300	TR 2SB1302-T	CA-1	
Q9509	VC617600	TR DTC123JUA	CA-1	

PARTS LIST

C-960ZOOM2/D-460ZOOM2

REF NO	PARTS NO	DESCRIPTION	REMARKS	NOTE
Q9510	VC617600	TR DTC123JUA	CA-1	
Q9511	VC617600	TR DTC123JUA	CA-1	
Q9512	VC617500	TR DTC114EUA	CA-1	
Q9512	VC621700	TR UN5211	CA-1	
Q9512	VC617100	TR 2SC4398	CA-1	
Q9513	VC614700	TR 2SC4399-4	CA-1	
Q9513	VC602900	TR 2SC4399-5	CA-1	
Q9514	VC622200	TR DTC115EUA	CA-1	
Q9546	VC618300	TR DTA144EUA	CA-1	
Q9546	VC609200	TR UN5113	CA-1	
Q9546	VC602600	TR 2SA1676	CA-1	
S1401	VC865100	SWITCH,PUSH 1P-1T	ST-1	
S3029	VC857200	SWITCH,PUSH 1P-2T	SY-1	
T5001	VC865600	TRANS,POWER,PULSE	ST-1	
T5002	VC864800	TRANS,POWER,PULSE	ST-1	
T5003	VC865700	TRANS,POWER,PULSE	ST-1	
T5401	VC863000	TRANS,STEP UP	ST-1	
T5402	VC860500	TRANS,OSC,TRIGGER	ST-1	
X1101	VC857600	OSC,CRYSTAL 14.31818MHZ	CA-1	
X1101	VC864500	OSC,CRYSTAL 14.31818MHZ	CA-1	
X1701	VC861600	OSC,CRYSTAL 3.579545MHZ	CA-1	
X3001	VC862100	OSC,CERAMIC 4.00MHZ	SY-1	
X3002	VC818600	OSC CRYSTAL 32.768KHZ	SY-1	
Y1103	VC155800	SPACER CA1 SIDE-B	CA-1	NEW
Y1104	VC155700	SPACER CA1 SIDE-A	CA-1	NEW
Y1401	VC264700	SCR S-TPG PAN PCS 1.7X3.5	ST-1	
	VT0734	SERIAL NUMBER SEAL FOR OE (Made in Japan)		
	VT1182	SERIAL NUMBER SEAL FOR OE (Made in Korea)		
	VT2549	SERIAL NUMBER SEAL FOR OE (Made in Indonesia)		
	VT0733	SERIAL NUMBER SEAL FOR OAI (Made in Japan)		
	VT1181	SERIAL NUMBER SEAL FOR OAI (Made in Korea)		
	VT1197	SERIAL NUMBER SEAL FOR OAI (Made in Indonesia)		