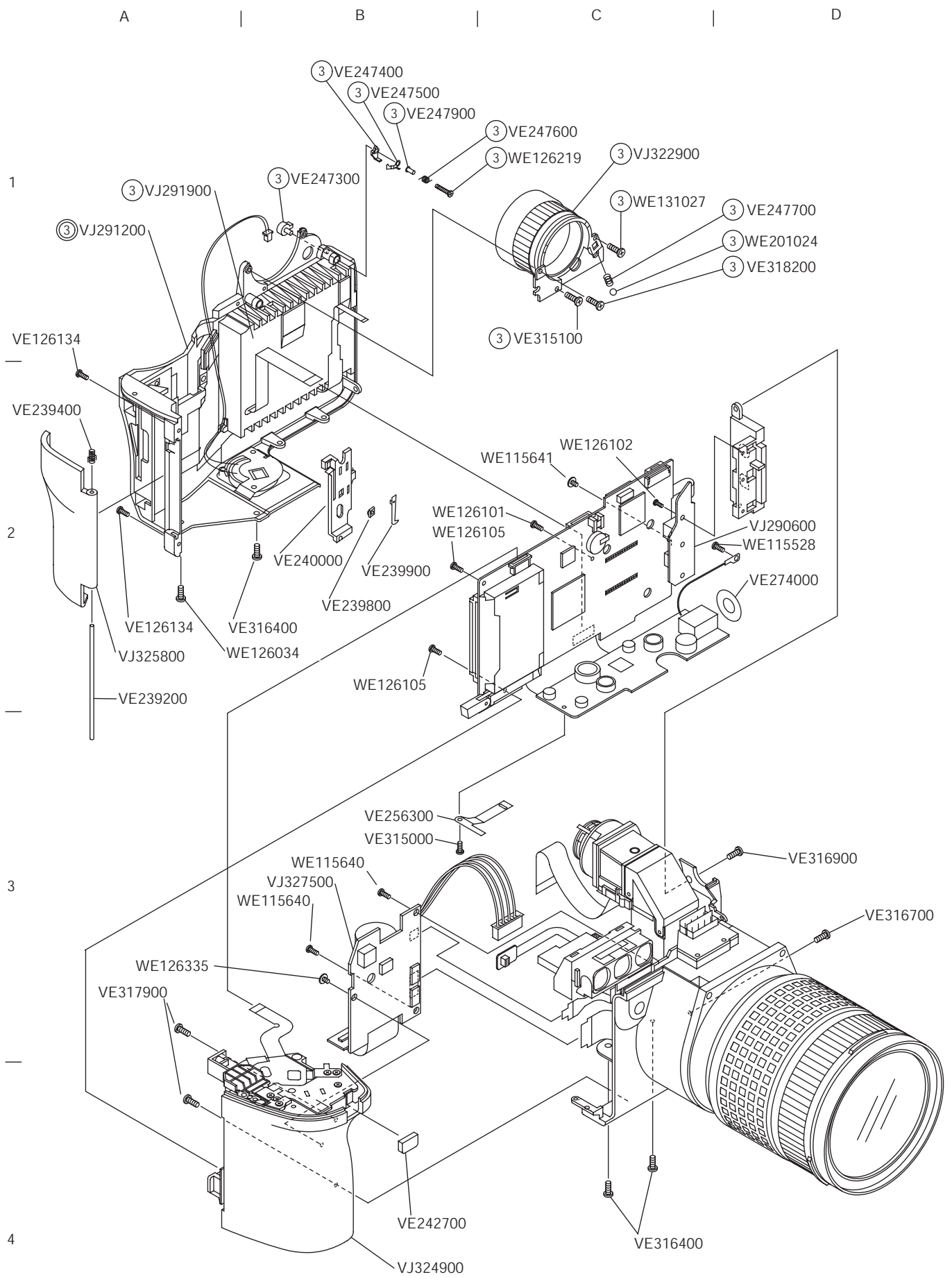


EXPLODED PARTS DIAGRAM

MODEL	HOUSE CODE or UNIT	FIG.
E-20/E-20N/E-20P		1/3
OLYMPUS OPTICAL CO., LTD. TOKYO, JAPAN		

Ver.1/Rev.4
2002.07



EXPLODED PARTS DIAGRAM

MODEL	HOUSE CODE or UNIT	FIG.
E-20/E-20N/E-20P		2/3
OLYMPUS OPTICAL CO., LTD. TOKYO, JAPAN		

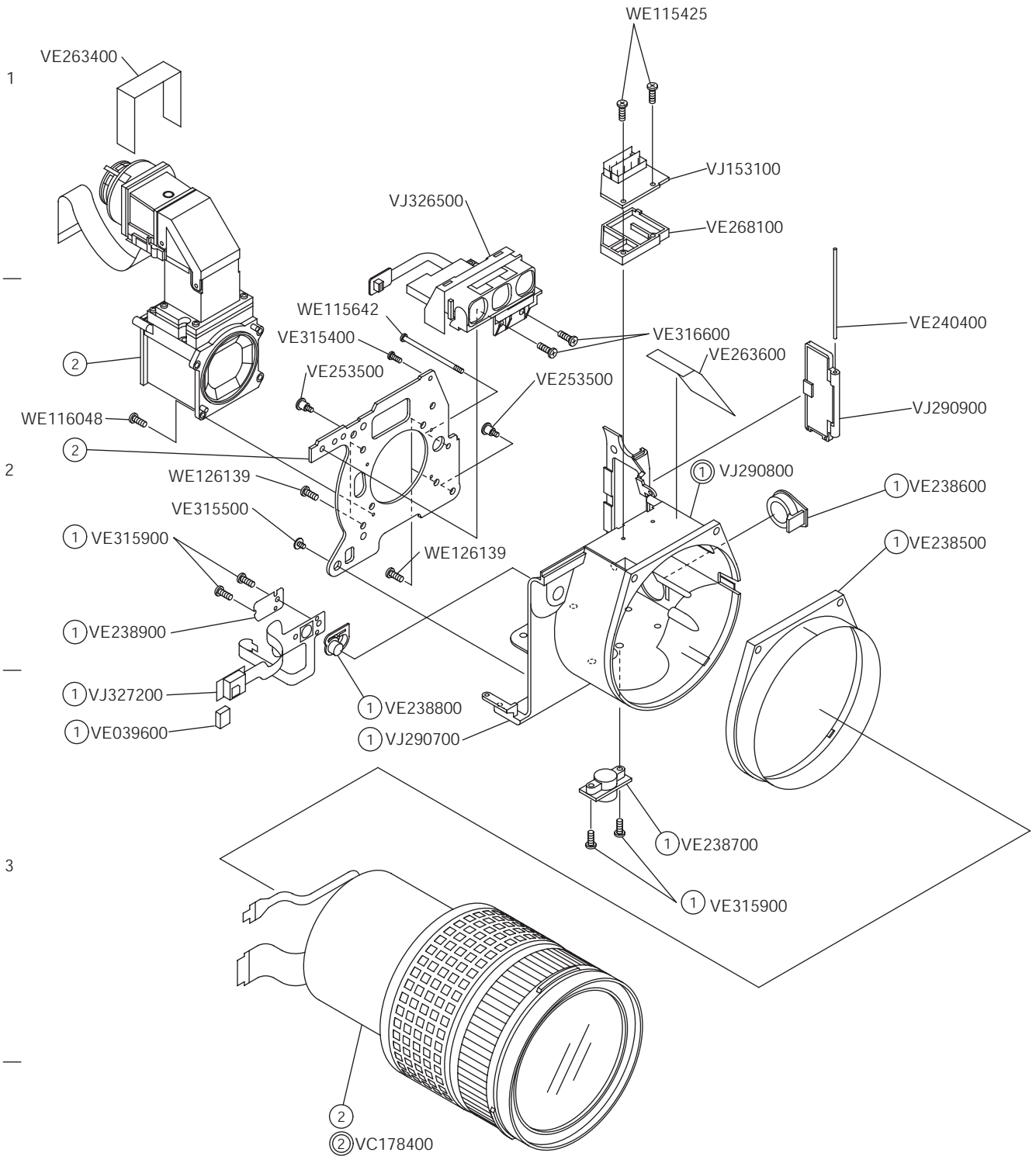
Ver.1/Rev.4
2002.07

A

B

C

D



EXPLODED PARTS DIAGRAM

MODEL	HOUSE CODE or UNIT	FIG.
E-20/E-20N/E-20P		3/3
OLYMPUS OPTICAL CO., LTD. TOKYO, JAPAN		

Ver.1
2001.12

4

PARTS LIST

E-20/E-20N/E-20P

PARTS NO.	DESCRIPTION	REMARKS	NOTE
VC178400	CCD-LENS#	3-B4	NEW
VE039600	Remort control	3-A3	NEW
VE238500	Front cover	3-D2	
VE238600	DC cap	3-D2	
VE238700	Tripod base	3-C3	
VE238800	WS button	3-B3	
VE238900	WS plate	3-A2	
VE239200	Card cover shaft	2-A2	
VE239400	Card cover spring	2-A2	
VE239800	C Lock Button	2-B2	NEW
VE239900	C Lock Spring	2-B2	NEW
VE240000	C Lock Lever	2-B2	NEW
VE240400	Connector shaft	3-D2	
VE242700	RS window	2-B4	
VE242800	AF Window	1-C2	NEW
VE243300	PW lever	1-A1	
VE243800	M dial	1-A1	
VE244300	SS dial	1-A1	
VE245100	F lever	1-D1	
VE245600	HM Button	1-D2	
VE247300	EPS lever	2-B1	
VE247400	EPS lever 1	2-B1	
VE247500	EPS lever 2	2-B1	
VE247600	EPS spring G	2-C1	
VE247700	Click spring	2-D1	
VE247900	EP pipe	2-B1	
VE253500	Base plate screw	3-C2	
VE253700	X cover 42	1-B1	
VE254700	Syncro cap	1-C2	
VE255300	CR cap	1-C1	
VE256300	Connector plate	2-B3	
VE257700	Window shield	1-C2	NEW
VE263400	Finder tape	3-A1	
VE263600	Side seat	3-C2	
VE267400	Pop-up button	1-D1	
VE268100	ST2 base	3-C1	
VE268600	Pop-up spring	1-C1	
VE274000	DC cover	2-C2	
VE274400	Strap ring	1-A2	
VE274500	Strap cover	1-A2	
VE315100	U1.6x3BM	2-1C	
VE318200	U1.6x2.5NM	2-1D	
VJ153100	ST2 PWB	3-C1	
VJ290600	MC PWB #-3	2-C2	NEW
VJ290700	Front cover #-1	3-B3	NEW
VJ290800	Front cover #-2	3-C2	NEW
VJ290900	Connector cover #	3-D2	NEW
VJ291200	Rear cover #	2-A1	NEW
VJ291900	TFT monitor #-2	2-A1	NEW
VJ292200	ST PWB#-2	2-B3	NEW
VJ322900	Eyepiece#	2-C1	
VJ324200	MOUNTING STRAP#		NEW
VJ324700	Side cover#	1-D2	
VJ324900	Grip#	2-B4	
VJ325300	Battery box#	1-B4	
VJ325800	Card cover#	2-A2	
VJ326500	AF#	3-B1	
VJ327200	42 Front flexible#	3-A3	
VJ335000	ST case#	1-C1	NEW
VJ335100	Upper cover #-3 [E-20 N (E/NTSC)]	1-A2	NEW
VJ335200	Upper cover #-3J [E-20 (J/NTSC)]	1-A2	NEW

PARTS LIST

E-20/E-20N/E-20P

PARTS NO.	DESCRIPTION	REMARKS	NOTE
VJ335300	Upper cover #-3P [E-20P (E/PAL)]	1-A2	NEW
VJ378300	MOUNTING STRAP R#		NEW
WE201024	B2UO	2-D1	
DB130300	FUSE		NEW
DK694900	DC JACK		
DK800300	PC CONNECTOR (VIDEO)		
DY265300	PUSH BUTTON SW		
LV154000	6-T		NEW
VE213800	SHIELD SHEET		
VE233000	F SLEEVE		
VE236700	1Z COVER		
VE241100	Base plate tape		
VE264100	Upper cover spacer		
VE264200	Rear cover spacer		
VE275000	STB PWB spacer		
VE275000	STB PWB spacer		
VE315000	U1.6x3NM		
VE315400	U1.6x4NM		
VE315400	U1.6x4NM		
VE315500	U1.6-422NM		
VE315700	U1.6-445NM		
VE315900	3U1.6x4.5BM		
VE316400	U2x3.5BR		
VE316600	U2x3.5NM		
VE316700	U2x5BR		
VE316800	U2x5NR		
VE316900	U2x7BR		
VE317900	T1.6x3NM		
VE318100	M PWB tape		
VE320600	U1.6x3.5BR		
VE379600	029 Label E		
VE386700	029 Label J		
VE386800	029 Label U		
WE115425	PUK1.6x6SN		
WE115528	PUK1.6x4SN		
WE115640	PUK1.6x218SB		
WE115641	PUTB1.6x430SB		
WE115642	PUK1.6x22SN		
WE116048	3PUK1.6x4SN		
WE126101	PUTB1.6x3SN		
WE126102	PUTB1.6x3.5SN		
WE126105	PUTB1.6x4SB		
WE126134	PUTB1.6x4.5SB		
WE126139	PUTB2x6SB		
WE126143	PUTB1.6x5SN		
WE126208	PUTB1.6x5.5SB		
WE126219	PUTB1.6x9SN		
WE126335	PUTB1.6x425SN		
WE131027	PUTS1.6x3SN		
VT3217	SERIAL NUMBER SEAL		