

EXPLODED PARTS DIAGRAM

MODEL	FIG.
E-300	1/6
E-300 Evolt	
OLYMPUS IMAGING CORPORATION	

Rev.3
Ver.1
2005.02

A

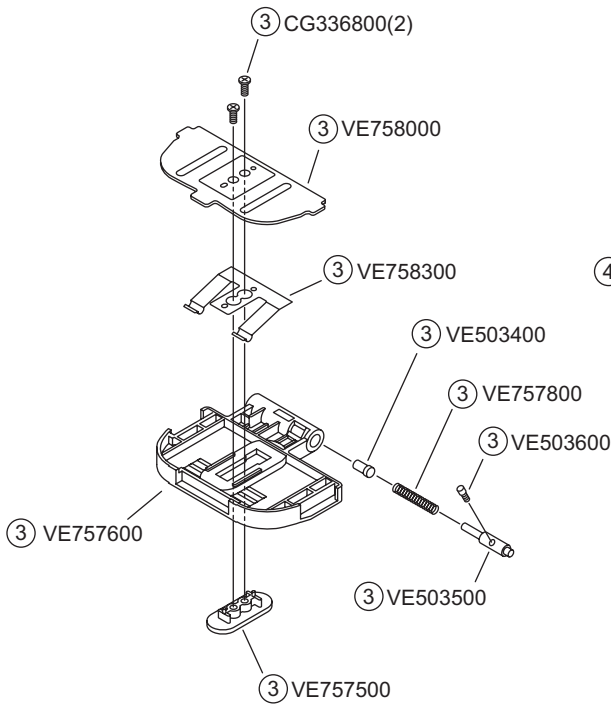
B

C

D

VE706600 : BLACK
 VE706700 : WHITE
 VE706800 : BRAWN
 VE706900 : RED
 VE707000 : BLUE

1



④ VE751100(2)

④ VJ754800

④ WE115387

④ VE818100

④ VJ846400

④ VE759300

2

④ VE750001

④ VE759701

3

② VE747100

② VE754500

② VE754300

② VE750900

② VE759100

② VE754600

② WE126026

② VJ846600

② VE754900

② VE664400

② VE785400

② VE764100

② VE754700

② VE754400(3)

② VE747300

② WE126209

② VE747000

② WE126444(2)

② VE747200

② WE201044

4

② WE126081

② VE763700

② VE756100

② VE763600

② VE763700

② VE758800

② VE754800

② WE126080

② WE126026(5)

② VJ685900

EXPLODED PARTS DIAGRAM

MODEL

FIG.

E-300
E-300 Evolt

2/6

Rev.3
Ver.1
2005.02

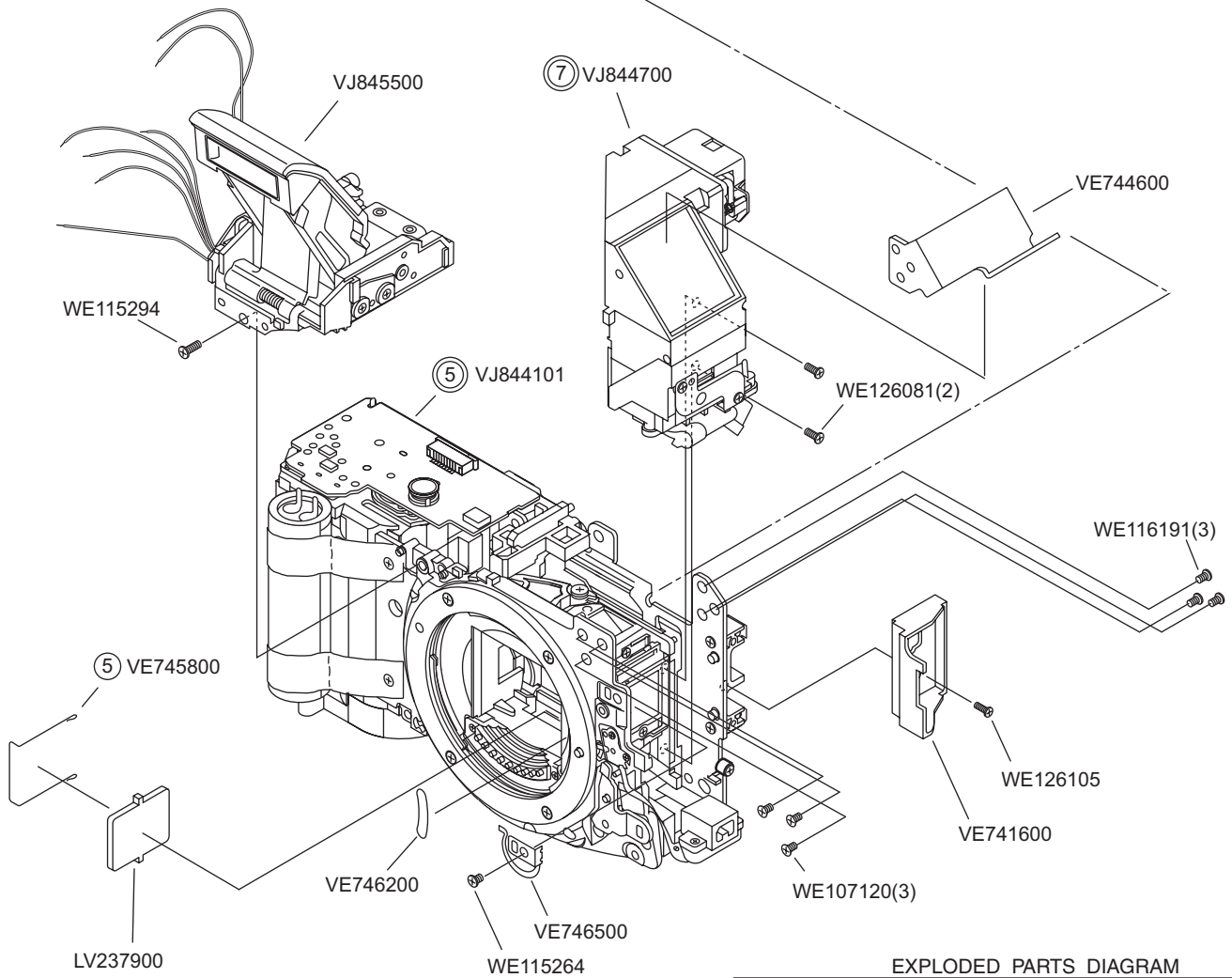
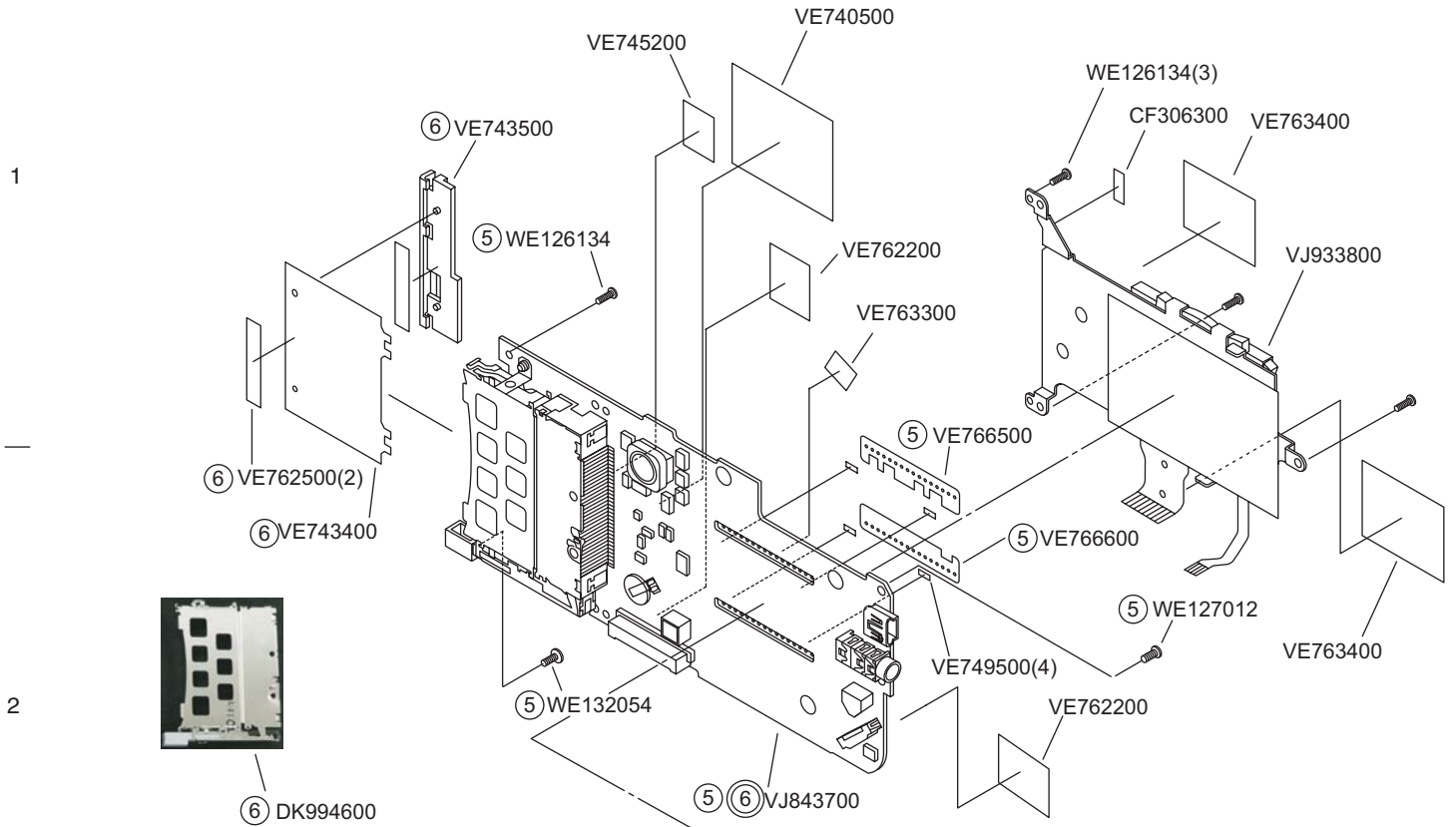
OLYMPUS IMAGING CORPORATION

A

B

C

D



EXPLODED PARTS DIAGRAM

Rev.4
Ver.1
2005.02

MODEL	FIG.
E-300 E-300 Evolt	3/6
OLYMPUS IMAGING CORPORATION	

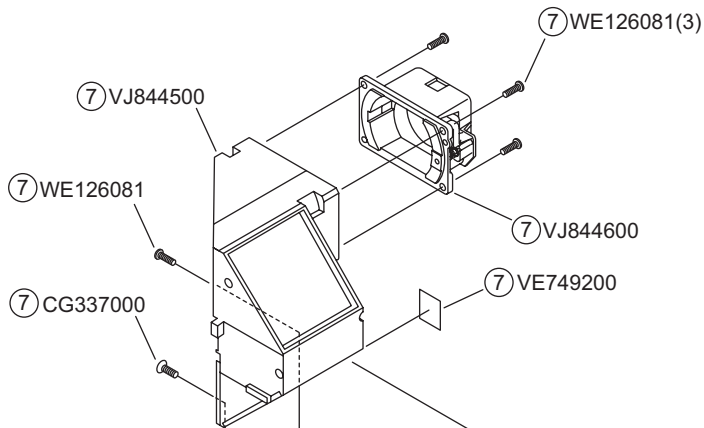
A

B

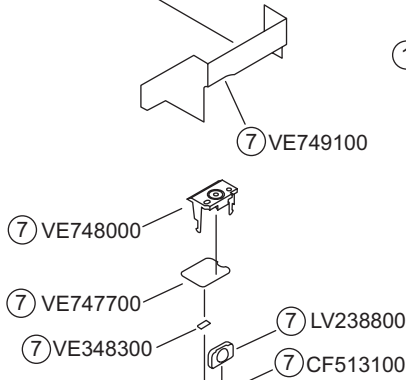
C

D

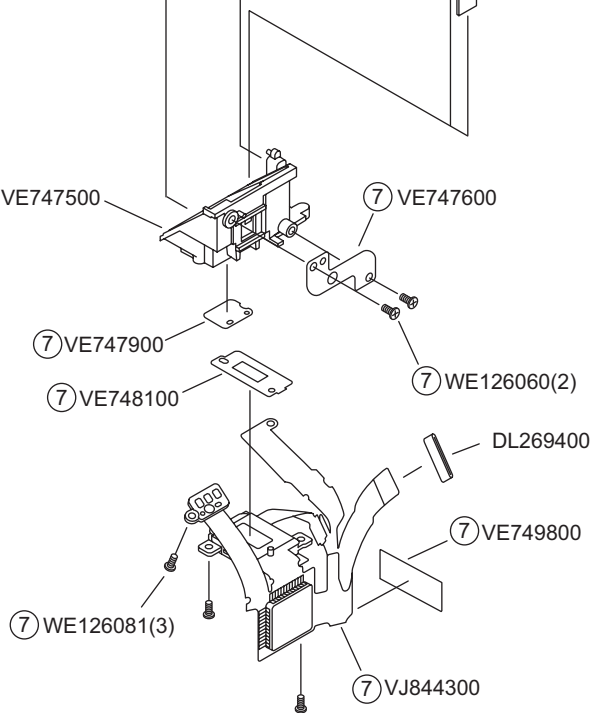
1



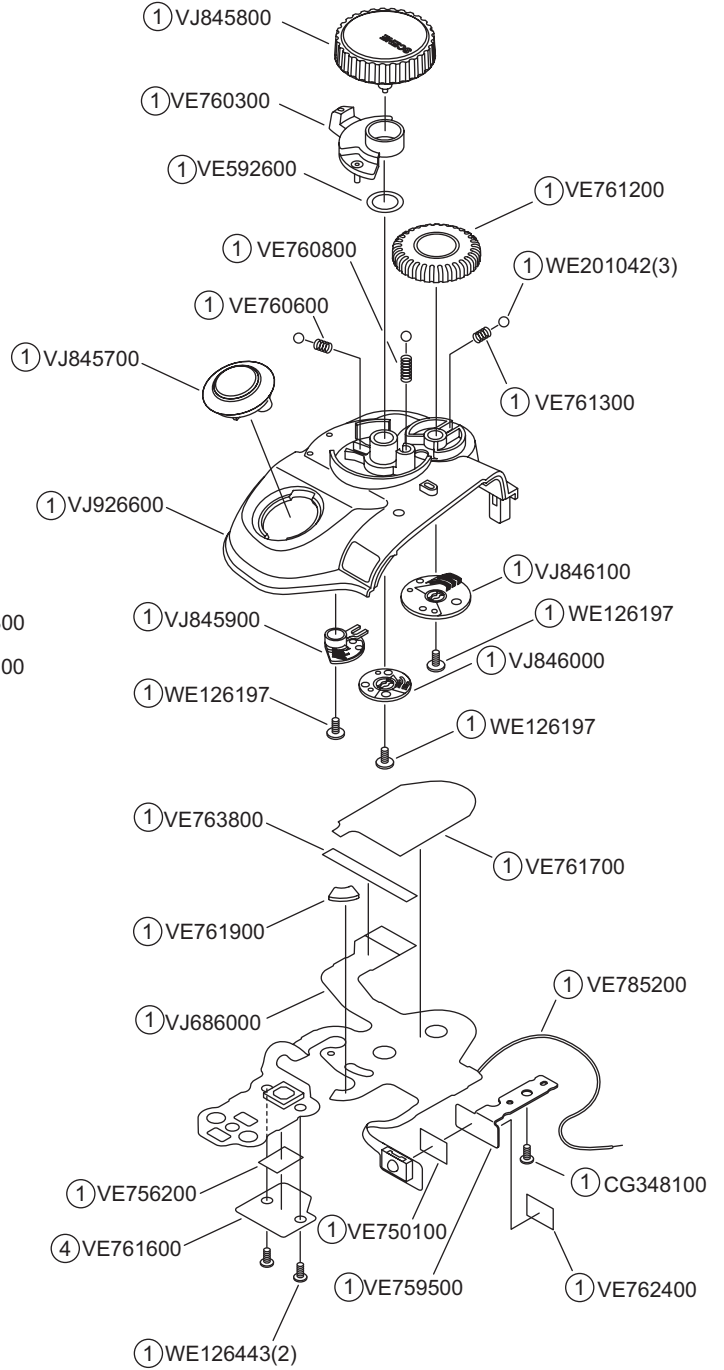
2



3



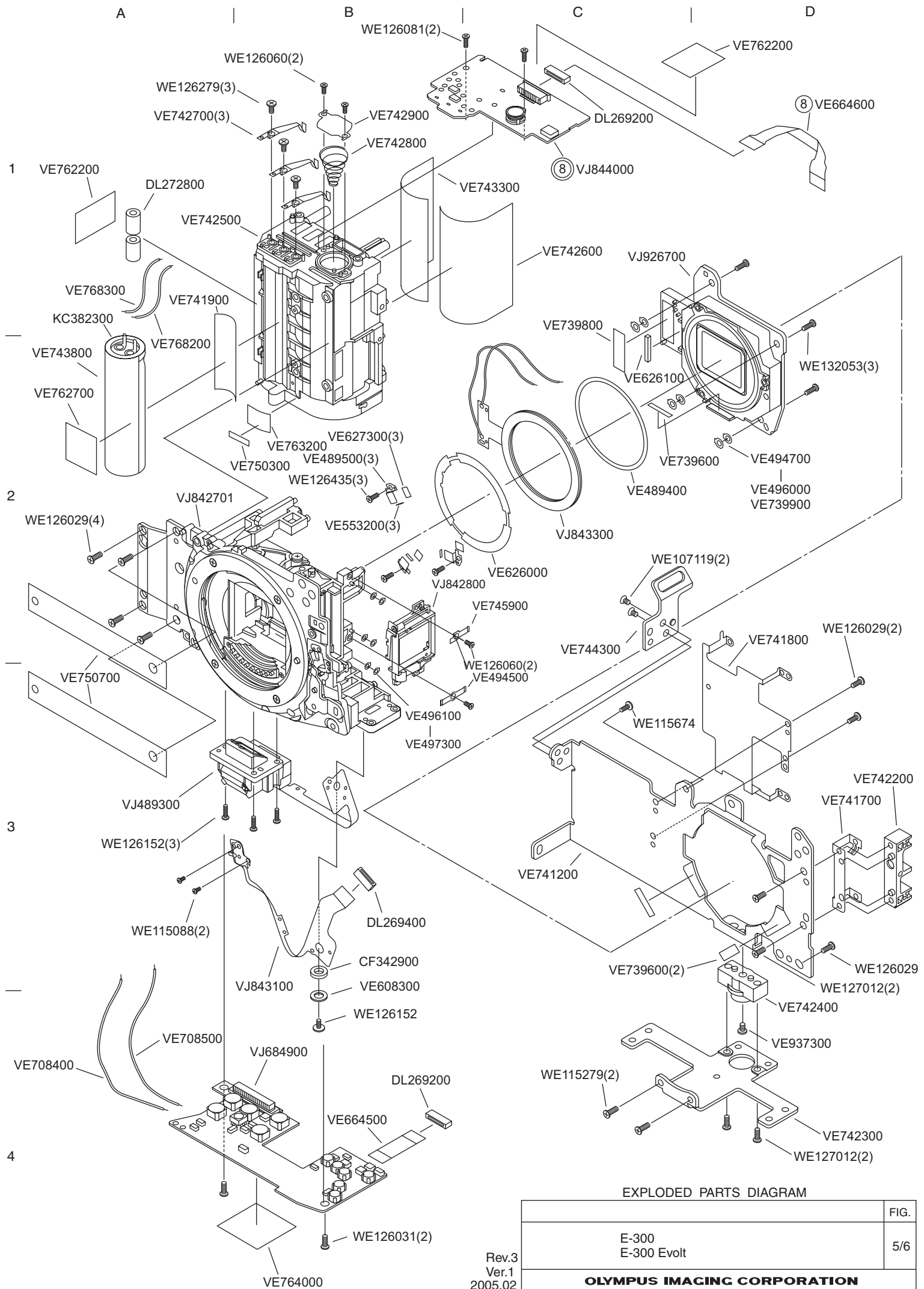
4



EXPLODED PARTS DIAGRAM

MODEL		FIG.
E-300 E-300 Evolt		4/6
OLYMPUS IMAGING CORPORATION		

Rev.3
Ver.1
2005.02



EXPLODED PARTS DIAGRAM

Rev.3
Ver.1
2005.02

E-300
E-300 Evolt

FIG.
5/6

OLYMPUS IMAGING CORPORATION

A

B

C

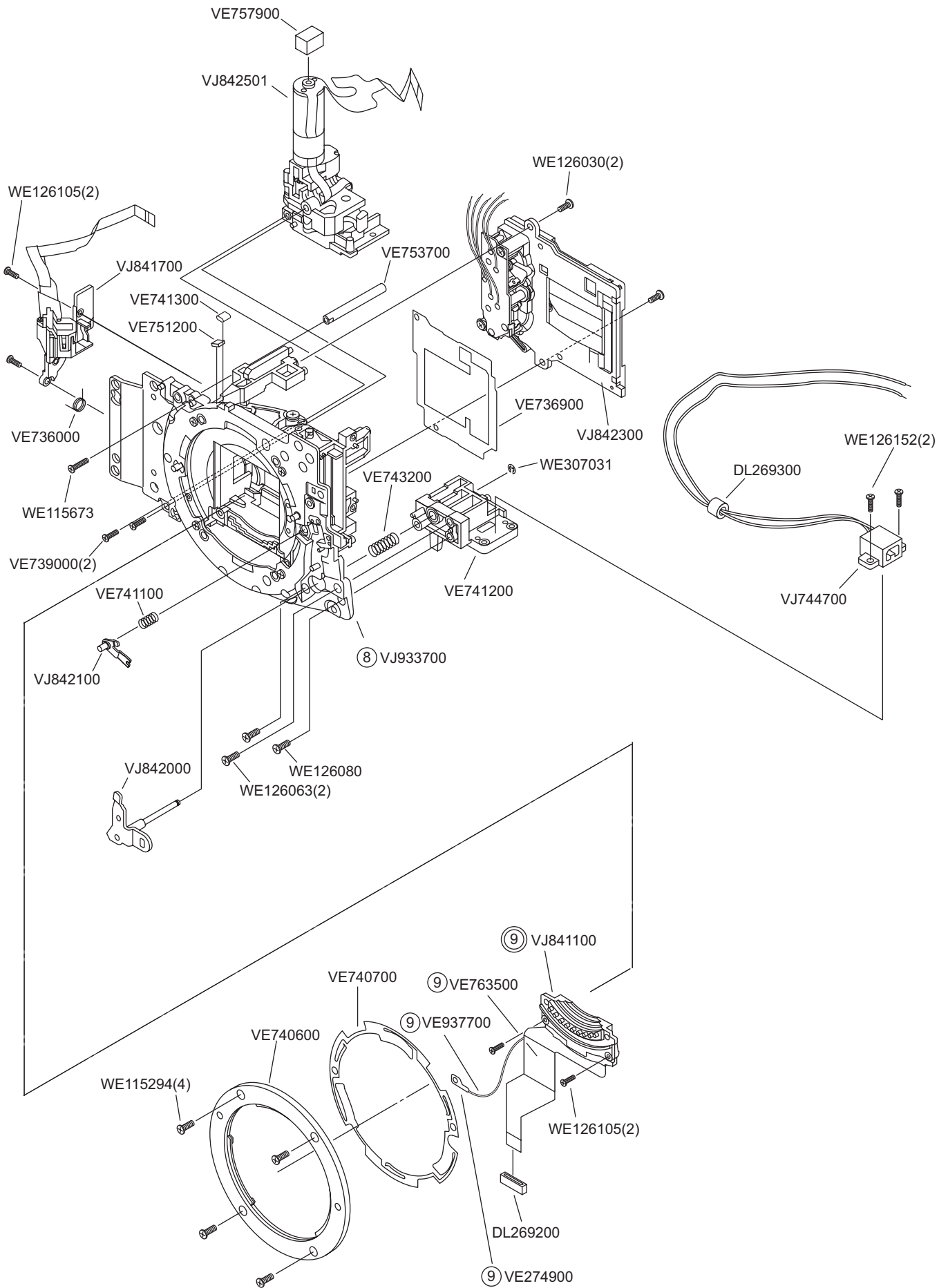
D

1

2

3

4



EXPLODED PARTS DIAGRAM

MODEL	FIG.
E-300 E-300 Evolt	6/6
OLYMPUS IMAGING CORPORATION	

Rev.3
Ver.1
2005.02

PARTS LIST

E-300

REF No.	PARTS NO	DESCRIPTION	LOCATION	NOTE
1	CF306300	FPC TAPE G	3-1D	
2	CF342900	CONNECT RUBBER	5-3B	
3	CF513100	AE FILTER	4-2B	
4	CG336800	THB1635	2-1A	
5	CG337000	THB1640	4-2A	
6	CG348100	THB1630	4-3D	
7	CG592600	ST GEAR RING	4-2C	
8	DK994600	CF EJECTOR	3-2A	NEW
9	DL269200	CORE	5-1C, 5-4B, 6-4C	
10	DL269300	CORE	6-2D	
11	DL269400	CORE	4-3B, 5-3B	
12	DL272800	CORE	5-1A	
13	KC382300	CONDENSER	5-1A	
14	LV237900	SCREEN 41	3-4A	
15	LV238800	FAE LENS	4-2B	
16	VE253700	X COVER 42	1-2D	
17	VE255900	X SHOE SPRING	1-3D	
18	VE274900	LUG TERMINAL	6-4C	
19	VE348300	SIDE COVER TAPE	4-2B	
20	VE489400	US RUBBER	5-2C	
21	VE489500	US HOLDER	5-2B	
22	VE494500	SH HOLDER	5-3C	
23	VE494700	CAM SPACER 10	5-2D	
24	VE494800	CAM SPACER 11	5-2D	
25	VE494900	CAM SPACER 12	5-2D	
26	VE495000	CAM SPACER 13	5-2D	
27	VE495100	CAM SPACER 14	5-2D	
28	VE495200	CAM SPACER 15	5-2D	
29	VE495300	CAM SPACER 16	5-2D	
30	VE495400	CAM SPACER 17	5-2D	
31	VE495500	CAM SPACER 18	5-2D	
32	VE495600	CAM SPACER 19	5-2D	
33	VE495700	CAM SPACER 20	5-2D	
34	VE495800	CAM SPACER 30	5-2D	
35	VE495900	CAM SPACER 40	5-2D	
36	VE496000	CAM SPACER 50	5-2D	
37	VE496100	F SPACER 10	5-3B	
38	VE496200	F SPACER 11	5-3B	
39	VE496300	F SPACER 12	5-3B	
40	VE496400	F SPACER 13	5-3B	
41	VE496500	F SPACER 14	5-3B	
42	VE496600	F SPACER 15	5-3B	
43	VE496700	F SPACER 16	5-3B	
44	VE496800	F SPACER 17	5-3B	
45	VE496900	F SPACER 18	5-3B	
46	VE497000	F SPACER 19	5-3B	
47	VE497100	F SPACER 20	5-3B	
48	VE497200	F SPACER 30	5-3B	
49	VE497300	F SPACER 40	5-3B	
50	VE503400	D SHAFT A	2-2B	
51	VE503500	D SHAFT B	2-2B	
52	VE503600	D SHAFT SCREW	2-2B	
53	VE553200	US HOLDER SHEET	5-2B	

PARTS LIST

E-300

REF No.	PARTS NO	DESCRIPTION	LOCATION	NOTE
54	VE608300	C PLATE	5-4B	
55	VE626000	US RING	5-2B	
56	VE626100	US FPCA RUBBER	5-2C	
57	VE627300	US HOLDER TAPE	5-2B	
58	VE664400	CMR-FPCB	2-3A	
59	VE664500	CMP-FPCB	5-4B	
60	VE664600	CMF-FPCB	5-1D	
61	VE706600	HOT-HS-BK	2-1B	
62	VE706700	HOT-HS-WH	2-1B	
63	VE706800	HOT-HS-BR	2-1B	
64	VE706900	HOT-HS-RD	2-1B	
65	VE707000	HOT-HS-BL	2-1B	
66	VE708400	PW-HS-BR	5-4A	
67	VE708500	PW-HS-BL	5-4A	
68	VE736000	SUB-MIRROR SPRING	6-2A	
69	VE736900	SHUTTER MASK	6-2C	
70	VE739000	LPUTB1645SB	6-2A	
71	VE739600	GT TAPE	5-2C, 5-3C	
72	VE739800	US-FPCA TAPE	5-2C	
73	VE739900	CAM SPACER E1	5-2D	
74	VE740500	MC SHEET	3-1C	
75	VE740600	B MOUNT	6-3B	
76	VE740700	B MOUNT SPRING	6-3B	
77	VE741100	MT LOCK SPRING	6-2A	
78	VE741200	SIDE FRAME	6-2C	
79	VE741300	CENTER BEAM	6-1B	
80	VE741600	CONECTOR COVER	3-4D	
81	VE741700	PCB HOLDER CONTACT	5-3D	
82	VE741800	D-FRAME CONTACT	5-2D	
83	VE741900	M-CONDENSER TAPE	5-1A	
84	VE742100	CENTRER FRAME	5-3C	
85	VE742200	PCB HOLDER	5-3D	
86	VE742300	UNDER FRAME	5-4D	
87	VE742400	TRIPOD SCREW BASE	5-3D	
88	VE742500	D-FRAME	5-1A	
89	VE742600	D-FRAME SHEET	5-1C	
90	VE742700	BATTERY CONTACT	5-1A	
91	VE742800	BATTERY SPRING	5-1B	
92	VE742900	BATTERY HOLDER	5-1B	
93	VE743200	C LEVER SHAFT SPRING	6-2B	
94	VE743300	D-FRAME SHEET 2	5-1C	
95	VE743400	CF COVER	3-2A	
96	VE743500	CF COVER BASE	3-1B	
97	VE743800	M CONDENSER COVER	5-2A	
98	VE744300	L-STRAP PLATE	5-2C	
99	VE744600	SIDE BEAM	3-5D	
100	VE745200	MONITOR INSULATION TAPE	3-1B	
101	VE745800	S-HOLDER B	3-4A	
102	VE745900	SH-HOLDER	5-2C	
103	VE746200	MF SHEET	3-4B	
104	VE746500	F-BASE HOLDER	3-4B	
105	VE747000	DIOPTER KNOB	2-3D	
106	VE747100	DIOPTER CAM	2-3C	

PARTS LIST

E-300

REF No.	PARTS NO	DESCRIPTION	LOCATION	NOTE
107	VE747200	D-CLICK SPRING	2-4D	
108	VE747300	DIOPTER PLATE	2-3D	
109	VE747500	FAE FRAME	4-3A	
110	VE747600	FAE HOLDER	4-3B	
111	VE747700	DIFFUSION SHEET 1	4-2B	
112	VE747900	DIFFUSION SHEET 2	4-3A	
113	VE748000	FAE COVER	4-2B	
114	VE748100	FAE MASK	4-3A	
115	VE749100	F-PROOF TAPE 1	4-2B	
116	VE749200	F-PROOF TAPE 2	4-1B	
117	VE749500	FLCD TAPE 1	3-2C	
118	VE749800	FND-FPC TAPE	4-3B	
119	VE750001	LOGO TAPE	2-2C	
120	VE750100	TOP COVER TAPE 2	4-3C	
121	VE750300	D-FRAME SPACER	5-2B	
122	VE750700	GR EARTH	5-3A	
123	VE750900	DIAL EARTH	2-3B	
124	VE751100	ST CUSHION	2-1C	
125	VE751200	ST RUBBER	6-1A	
126	VE753700	ST GROUND	6-1A	
127	VE754300	MONITOR WINDOW	2-3D	
128	VE754400	MONITOR CUSHION	2-3C	
129	VE754500	MONITOR W-TAPE	2-3D	
130	VE754600	AEAF BUTTON	2-3A	
131	VE754700	OK BUTTON	2-3B	
132	VE754800	REAR BUTTON	2-4C	
133	VE754900	CROSS BUTTON	2-3A	
134	VE755000	CARD COVER	1-1B	
135	VE755100	C COVER SHAFT	1-1A	
136	VE755300	C COVER LABEL	1-1B	
137	VE755400	CONECTOR COVER	1-2D	
138	VE755500	D-SHAFT HOLDER	1-2C	
139	VE755600	D-SHAFT PLATE	1-2C	
140	VE755700	REAR G RUBBER	1-1D	
141	VE755900	REAR G TAPE	1-1C	
142	VE756100	MONITOR CUSHION 2	2-4C	
143	VE756200	R TAPE	4-3C	
144	VE756500	X SHOE	1-3D	
145	VE757200	FRONT-G RUBBER	1-4A	
146	VE757300	EJECT BUTTON	1-3A	
147	VE757400	DC CAP	1-4D	
148	VE757500	D COVER KNOB	2-2A	
149	VE757600	D COVER	2-2A	
150	VE757800	D SHAFT SPRING	2-2B	
151	VE757900	SELF LED MALT	6-1B	
152	VE758000	D COVER PLATE	2-1B	
153	VE758100	DECO SCREW 3	1-4C	
154	VE758200	DECO SCREW 4	1-2B	
155	VE758300	D CLICK PLATE	2-2B	
156	VE758400	FRONT G TAPE 1	1-4B	
157	VE758500	FRONT G TAPE 2	1-3B	
158	VE758600	FRONT G TAPE 3	1-3B	
159	VE758800	REAR BUTTON SHEET	2-4C	

PARTS LIST

E-300

REF No.	PARTS NO	DESCRIPTION	LOCATION	NOTE
160	VE759100	AF BUTTON SHEET	2-3A	
161	VE759300	DECO SCREW 1	2-2B	
162	VE759400	DECO SCREW 2	1-4C	
163	VE759500	RC HOLDER	4-3D	
164	VE759701	FOURTHIRDS LOGO	2-2C	
165	VE760300	PW LEVER	4-1C	
166	VE760600	PW CLICK SPRING	4-2C	
167	VE760800	M CLICK SPRING	4-2C	
168	VE761200	MAIN DIAL	4-1D	
169	VE761300	MD CLICK SPRING	4-2D	
170	VE761600	TOP FPC HOLDER	4-3C	
171	VE761700	TOP FPC TAPE1	4-3D	
172	VE761900	TOP FPC HOLDER2	4-3C	
173	VE762200	CORE TAPE	3-1C, 3-2C, 5-1D	
174	VE762400	TOP COVER TAPE	4-4D	
175	VE762500	CF TAPE	3-2A	
176	VE762700	PWLW TAPE	5-2B	
177	VE763000	EP RUBBER	1-1D	
178	VE763100	EYEPiece SHUTTER	1-1D	
179	VE763200	D-FRAME TAPE	5-2A	
180	VE763300	XLW TAPE	3-1C	
181	VE763400	FL TAPE	1-1A, 1-2A, 3-2D, 3-1D	
182	VE763500	BMT SHEET	6-3C	
183	VE763600	REAR PCB TAPE1	2-4B	
184	VE763700	REAR PCB TAPE2	2-4A	
185	VE763800	TOP SHIELD	4-3C	
186	VE764000	PW PCB TAPE	5-4B	
187	VE764100	REAR PCB TAPE3	2-3A	
188	VE766500	CCD1-FPCB	3-1C	
189	VE766600	CCD2-FPCB	3-2C	
190	VE768200	FL-HS-OR	5-2A	
191	VE768300	FL-HS-GR	5-1A	
192	VE785200	TOP-HS-BK	4-3D	
193	VE785400	REAR-HS-BK	2-3A	
194	VE818100	X-FPCB TAPE	2-1C	
195	VE866200	B CAP C	1-4A	
196	VE931800	DECO SCREW 5	1-2C	
197	VE931900	DECO SCREW 6	1-2B	
198	VE932000	DECO SCREW 7	1-2D	
199	VE932100	DECO SCREW 8	1-4C	
200	VE932200	DECO SCREW 9	1-1D	
201	VE937300	3U2x3NR	5-4D	
202	VE937700	BMT-HS-BK	6-3B	
203	VJ489300	AF	5-3A	
204	VJ684900	PW-PCA UNIT	5-4B	
205	VJ685900	REAR-PCA UNIT	2-4B	
206	VJ686000	TOP-FPCA UNIT	4-3C	
207	VJ744700	DC-HS-CON	6-2D	
208	VJ754800	X-FPCA UNIT	2-1C	
209	VJ841100	MT CONTACT FRAME UNIT	6-3B	
210	VJ841700	BAE FRAME UNIT	6-1A	
211	VJ842000	RELEASE LEVER UNIT	6-3A	
212	VJ842100	MT LOCKPIN UNIT	6-2B	

PARTS LIST

E-300

REF No.	PARTS NO	DESCRIPTION	LOCATION	NOTE
213	VJ842300	SHUTTER UNIT-2	6-2C	
214	VJ842501	GEAR CASE UNUT	6-2A	
215	VJ842701	FRONT PLATE UNIT	5-2B	
216	VJ842800	SCREEN FRAME UNIT	5-2B	
217	VJ843100	MB-FPCA UNIT	5-4B	
218	VJ843300	US FILTER UNIT	5-2C	
219	VJ843700	MC-PCB UNIT	3-2B	
220	VJ844000	FL-PCA UNIT	5-1B	
221	VJ844101	BODY UNIT	1-3B	
222	VJ844300	FND-FPCA UNIT	4-4B	
223	VJ844500	FINDER	4-1A	
224	VJ844600	EYEPIECE LENS UNIT	4-1B	
225	VJ844700	FINDER UNIT	3-2B	
226	VJ844800	D COVER UNIT	1-2B	
227	VJ845500	FLASH UNIT	3-2B	
228	VJ845700	R BUTTON UNIT	4-2C	
229	VJ845800	MODE DIAL UNIT	4-1C	
230	VJ845900	PW CONTACT UNIT	4-2C	
231	VJ846000	MODE CONTACT UNIT	4-2D	
232	VJ846100	MD CONTACT UNIT	4-2D	
233	VJ846200	UPPER COVER UNIT	1-1A	
234	VJ846400	X CONTACT BASE UNIT	2-1D	
235	VJ846500	FRONT COVER-J	1-2D	
236	VJ846600	PCV UNIT	2-3B	
237	VJ846800	BACK COVER	2-4C	
238	VJ846900	BACK COVER UNIT	1-1C	
239	VJ851600	FRONT COVER-U	1-3B	
240	VJ926600	TOP COVER	4-2C	
241	VJ926700	CCD UNIT	5-1D	
242	VJ933700	MIRROR BOX UNIT	6-2B	
243	VJ933800	TFT UNIT	3-1D	
244	WE107119	PSK2x2.5SB		
245	WE107120	PSK2x2.8SN		
246	WE107236	PSK1.6x4.5SN		
247	WE115088	PUK1.4x2SN		
248	WE115264	PUK2x2SN		
249	WE115269	PUK2x3.5SN		
250	WE115279	PUK2x3SN		
251	WE115294	PUK2x4SN		
252	WE115387	PUK1.6x1.8SN		
253	WE115673	PUK1.6-260SN		
254	WE115674	PUK1.6-540SN		
255	WE116191	3PUK2x2.5SN		
256	WE126024	PUTB2x3.5SB		
257	WE126026	PUTB2x3.5SN		
258	WE126029	PUTB2x4.5SN		
259	WE126030	PUTB2x4SB		
260	WE126031	PUTB2x4SN		
261	WE126060	PUTB1.6x3SB		
262	WE126063	PUTB2x6SN		
263	WE126080	PUTB2x5SN		
264	WE126081	PUTB1.6x4SN		
265	WE126102	PUTB1.6x3.5SN		

PARTS LIST

E-300

REF No.	PARTS NO	DESCRIPTION	LOCATION	NOTE
266	WE126105	PUTB1.6x4SB		
267	WE126134	PUTB1.6x4.5SB		
268	WE126152	PUTB1.6x5SB		
269	WE126197	PUTB1.6-635SN		
270	WE126209	PUTB1.6x7SN		
271	WE126217	PUTB2x10SB		
272	WE126279	PUTB2-435SB		
273	WE126323	PUTB1.6x23SB		
274	WE126435	PUTB1.6-240SB		
275	WE126443	PUTB1.6-228SN		
276	WE126444	PUTB2-828SN		
277	WE127012	PSTB2x4.5SN		
278	WE132053	3PUTB2x4SN		
279	WE132059	3PUTB1.6x4.5SN		
280	WE201042	B2.5UO		
281	WE201044	B1.5UO		
282	WE307031	ER1.2SN		