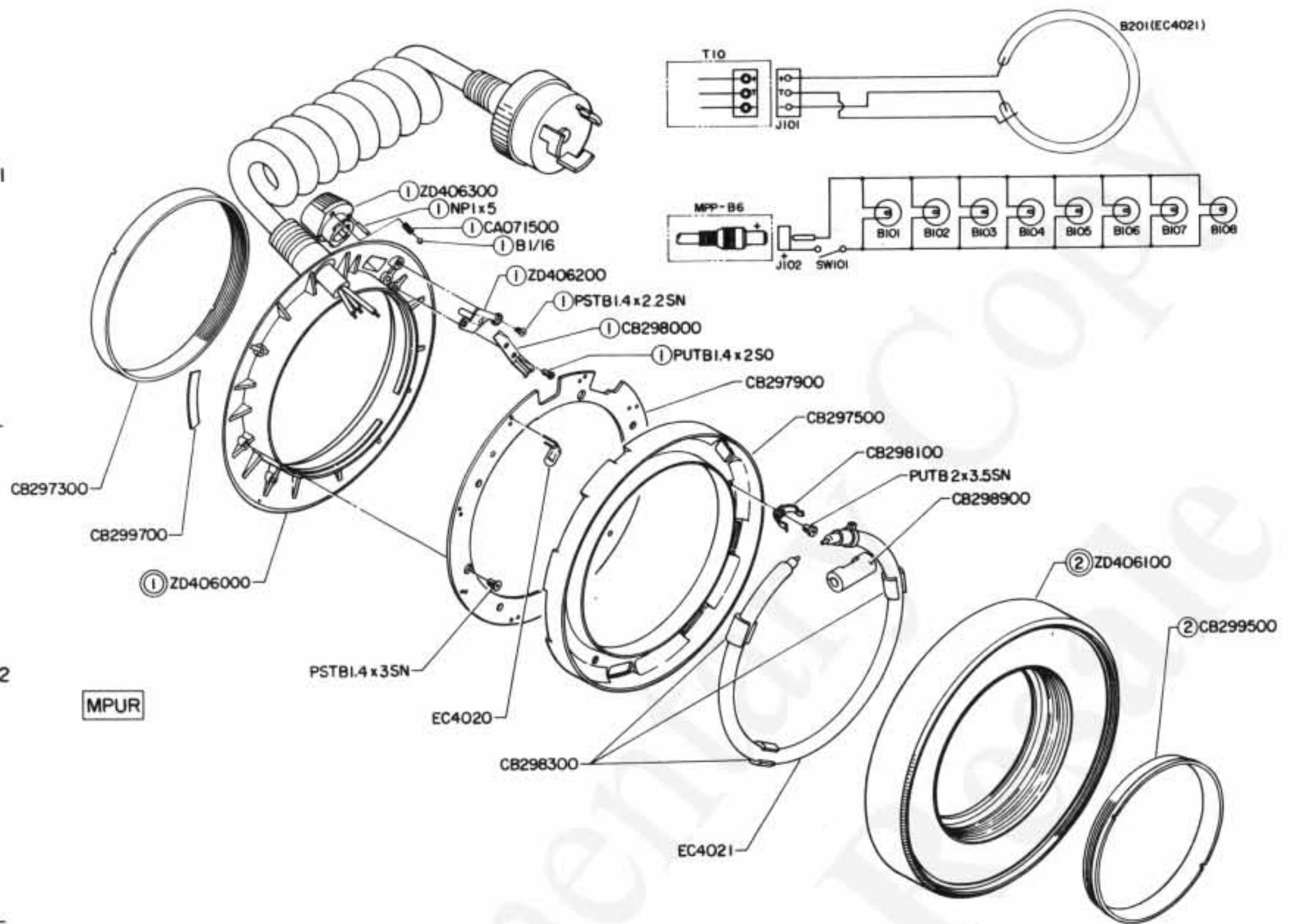


A

B

C

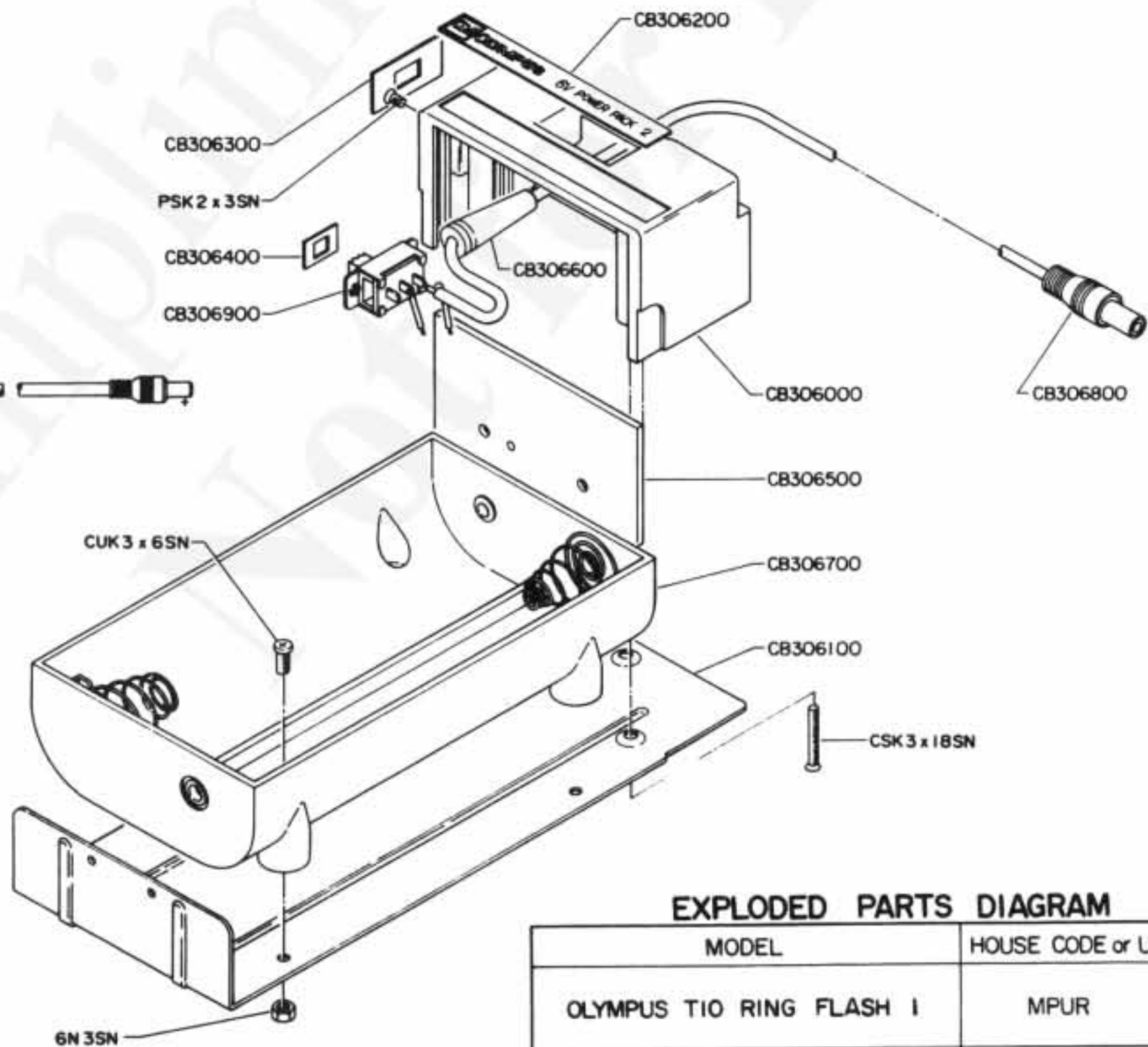
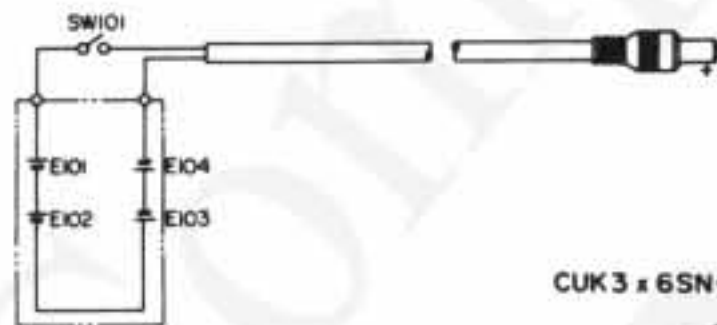
D



2

MPUR

3



4

MPP - B6

EXPLODED PARTS DIAGRAM

| MODEL | HOUSE CODE or UNIT | FIG. |
|--------------------------|--------------------|------|
| OLYMPUS T10 RING FLASH I | MPUR | 1/1 |
| OLYMPUS 6V POWER PACK 2 | MPP - B6 | 1/1 |

OLYMPUS OPTICAL CO., LTD. TOKYO, JAPAN

NOTE: WHEN ORDERING FOR SPARE PARTS, PLEASE CLARIFY A MODEL or HOUSE CODE, PARTS NUMBER AND QUANTITY.

**OLYMPUS T10 RING FLASH 1
OLYMPUS 6V POWER PACK 2**

PARTS LIST

MPUR
MPP-B6 1/1

| <u>PARTS NO.</u> | <u>NAME OF PARTS</u> | <u>NOTE</u> | (Q'ty used/ per unit) |
|------------------|----------------------|---------------------------|--------------------------|
| MPUR | | | |
| CA071500 | SPRING | B1 | (1) |
| CB297300 | SCREW RING | A2 | (1) |
| CB297500 | REFLECTOR | C1 | (1) |
| CB297900 | D. BOARD | C1 | (1) |
| CB298000 | D. PLATE | B1 | (1) |
| CB298100 | LAMP HOLDER | C2 | (3) |
| CB298300 | LAMP TUBE | B2 | (3) |
| CB298900 | CORD COVER | C2 | (1) |
| CB299500 | STOPPER | D2 | (1) |
| CB299700 | R1 SEAL | A2 (Only Japanese Market) | (1) |
| ZD406000 | FRAME ASS'Y | A2 | (1) |
| ZD406100 | DIFFUSION RING ASS'Y | D2 | (1) |
| ZD406200 | PIN PLATE ASS'Y | B1 | (1) |
| ZD406300 | D. LEVER ASS'Y | B1 | (1) |
| EC4020 | ILLUMINATOR LAMP | 4.5V 0.15A | (8) |
| EC4021 | XE RING | 80WS | (2) |
| PSTB1.4 x 2.2SN | SCREW | | |
| PSTB1.4 x 3SN | SCREW | | |
| PUTB1.4 x 2SO | SCREW | | |
| PUTB2 x 3.5SN | SCREW | | |
| NP1 x 5 | PIN | | |
| B 1/16 | BALL | | |
| MPP-B6 | | | |
| CB306000 | SWITCH BOX | Same as SC0124 | (1) |
| CB306100 | UNDER PLATE | C4 | (1) |
| CB306200 | B6 NAME PLATE | C3 | (1) |
| CB306300 | SW NAME PLATE | Same as SC0126 | (1) |
| CB306400 | PLATE | Same as SC0127 | (1) |
| CB306500 | SIDE PLATE | Same as SC0128 | (1) |
| CB306600 | CORD BUSH | C3 | (1) |
| CB306700 | BATTERY CASE | C4 | (1) |
| CB306800 | B6 CORD | D3 | (1) |
| CB306900 | SWITCH | Same as EP3126 | (1) |
| CSK3 x 18SN | SCREW | | |
| PSK2 x 3SN | SCREW | | |
| CUK3 x 6SN | SCREW | | |
| 6N3SN | NUT | | |