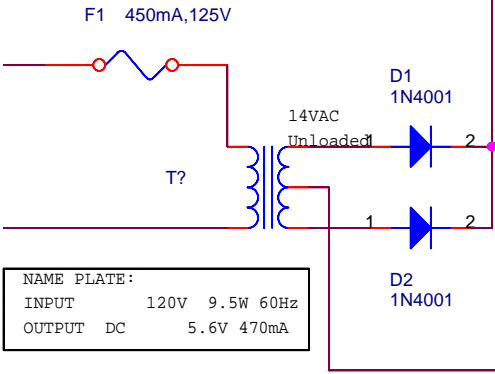


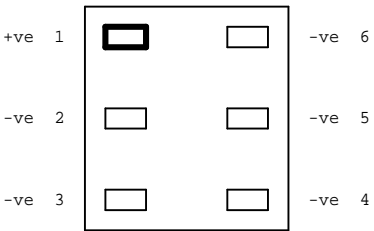
Charge current ~ 100mA per cell.  
 If we assume this is C/10 rate, this  
 implies cells are ~ 1Ah and  
 recharge time is then 12-14hrs

approx:  
 12VDC unloaded  
 11VDC loaded

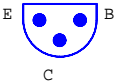


NAME PLATE:  
 INPUT 120V 9.5W 60Hz  
 OUTPUT DC 5.6V 470mA

End View  
 Battery Pack



Q1 BASE VIEW

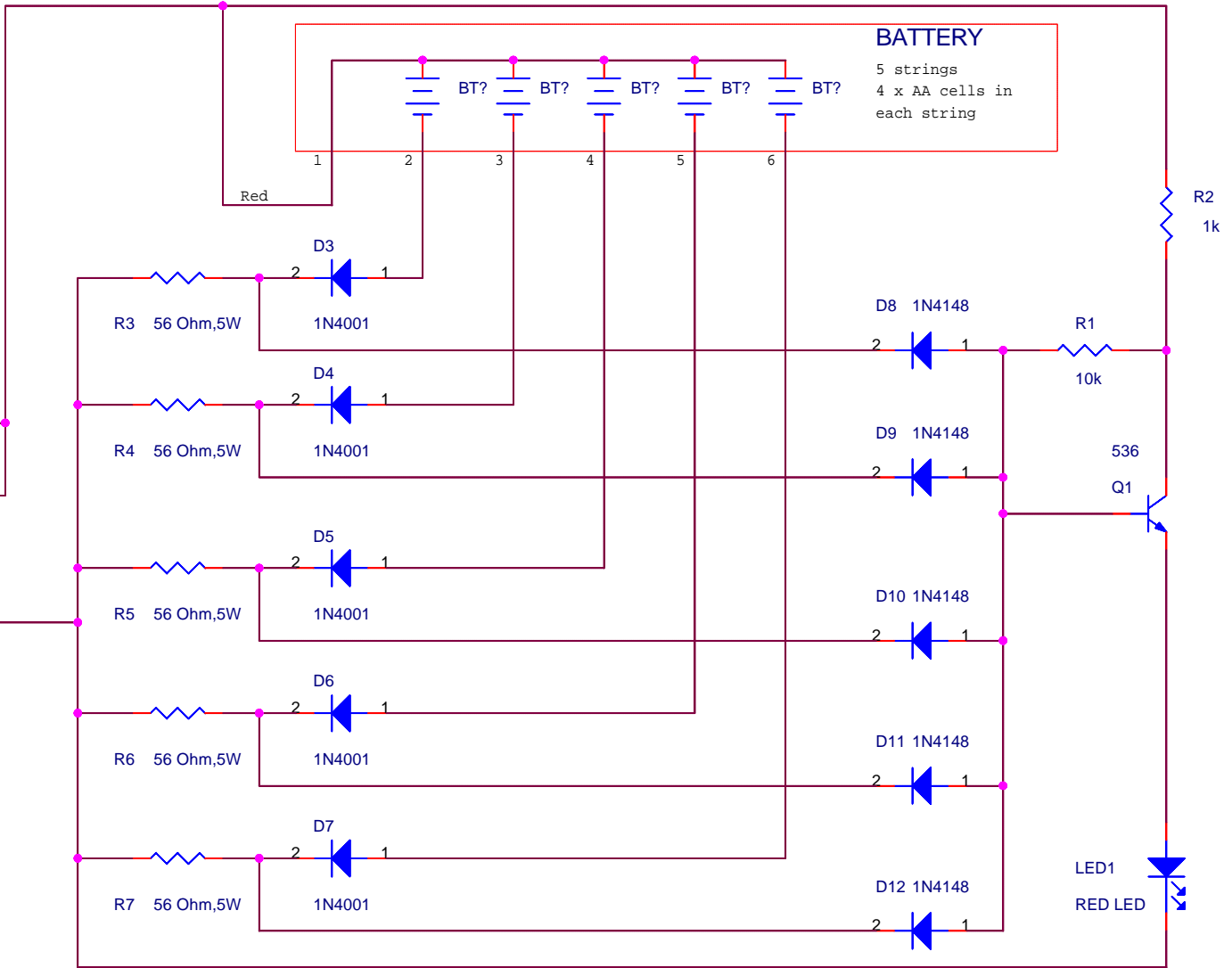


LED is on when all five  
 strings of cells are connected  
 but goes off if any string goes  
 open circuit. Shorted cells  
 in a string will still allow  
 LED to light.

This document is supplied for educational  
 purposes, and may not be sold or used for  
 commercial purposes without my permission.  
 Part designators may not match  
 Official Olympus schematic/parts list.  
 TimHughes@ieee.org

**BATTERY**

5 strings  
 4 x AA cells in  
 each string



Title		
OLYMPUS : T45 NiCd Charger 1 (c) T.Hughes 2004		
Size A	Document Number {Doc}	Rev 1.0
Date:	Thursday, August 26, 2004	Sheet 1 of 1