

EXPLODED PARTS DIAGRAM

MODEL	HOUSE CODE or UNIT	FIG.
OLYMPUS OM-SYSTEM WINDER-2	MME-2	1/2
OLYMPUS OM-SYSTEM M 6V BATTERY HOLDER I	MME-H	
OLYMPUS OPTICAL CO., LTD. TOKYO, JAPAN		

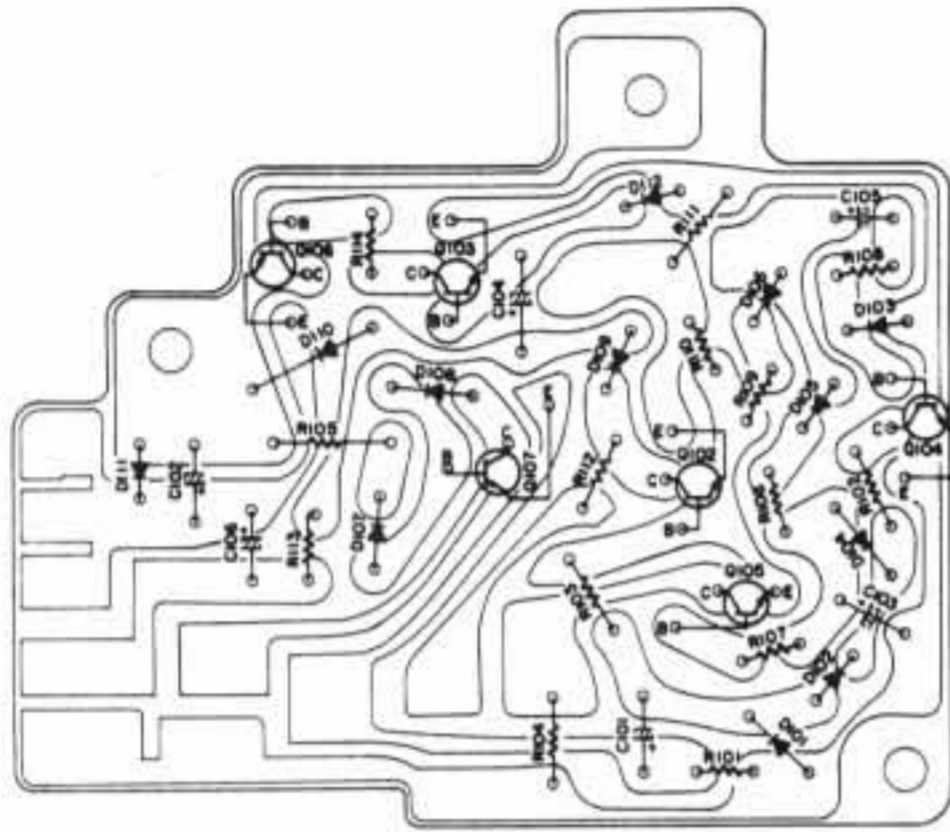
NOTE : WHEN ORDERING FOR SPARE PARTS, PLEASE CLARIFY A MODEL or HOUSE CODE, PARTS NUMBER AND QUANTITY.

A

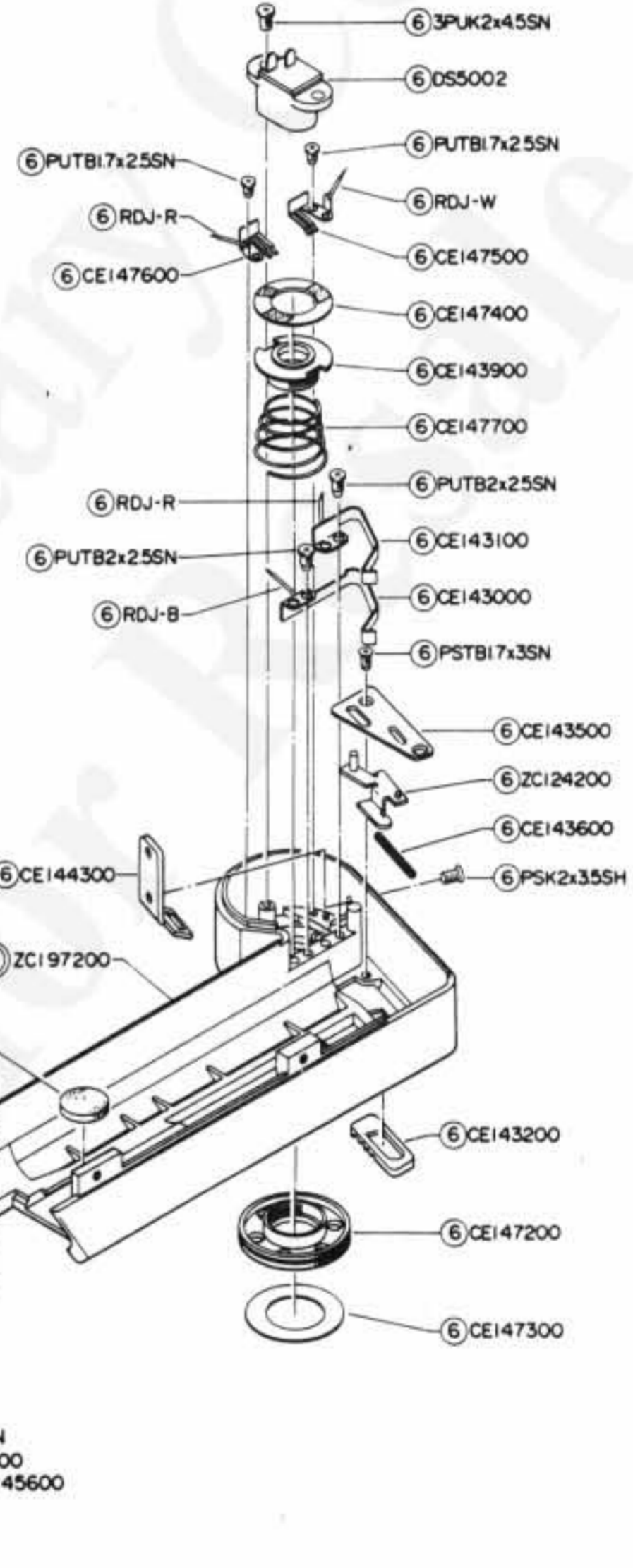
B

C

D



ZC195500 (WINDER-2)



EXPLODED PARTS DIAGRAM

MODEL	HOUSE CODE or UNIT	FIG.
OLYMPUS OM-SYSTEM WINDER-2	MME-2	2/2
OLYMPUS OM-SYSTEM M 6V BATTERY HOLDER I	MME-H	
OLYMPUS OPTICAL CO., LTD. TOKYO, JAPAN		

NOTE: WHEN ORDERING FOR SPARE PARTS, PLEASE CLARIFY A MODEL or HOUSE CODE, PARTS NUMBER AND QUANTITY.