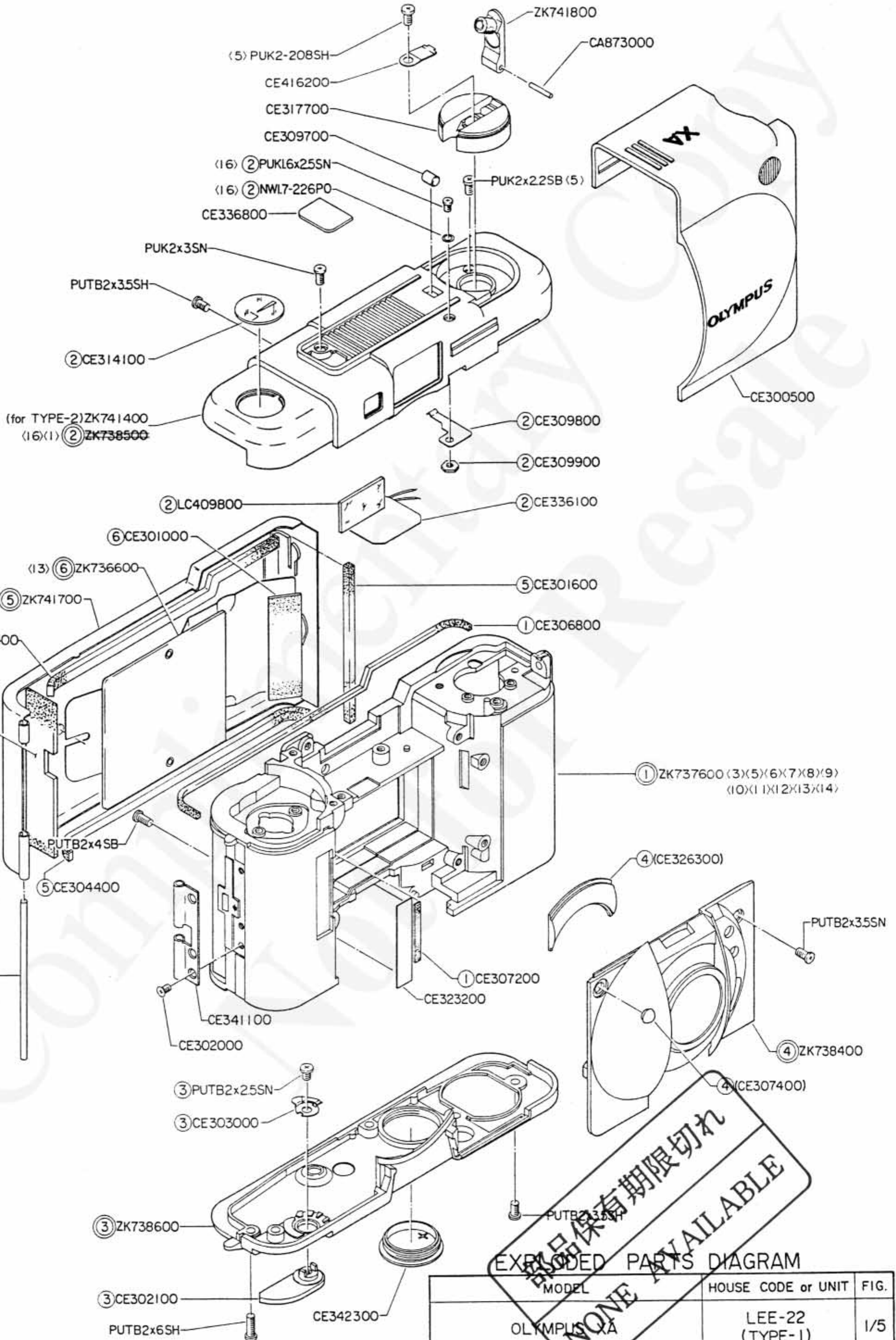


A

B

C

D



品保有限切丸  
 EXPLODED PARTS DIAGRAM  
 NONE AVAILABLE

MODEL	HOUSE CODE or UNIT	FIG.
OLYMPUS 4A	LEE-22 (TYPE-1)	1/5

OLYMPUS OPTICAL CO., LTD. TOKYO, JAPAN

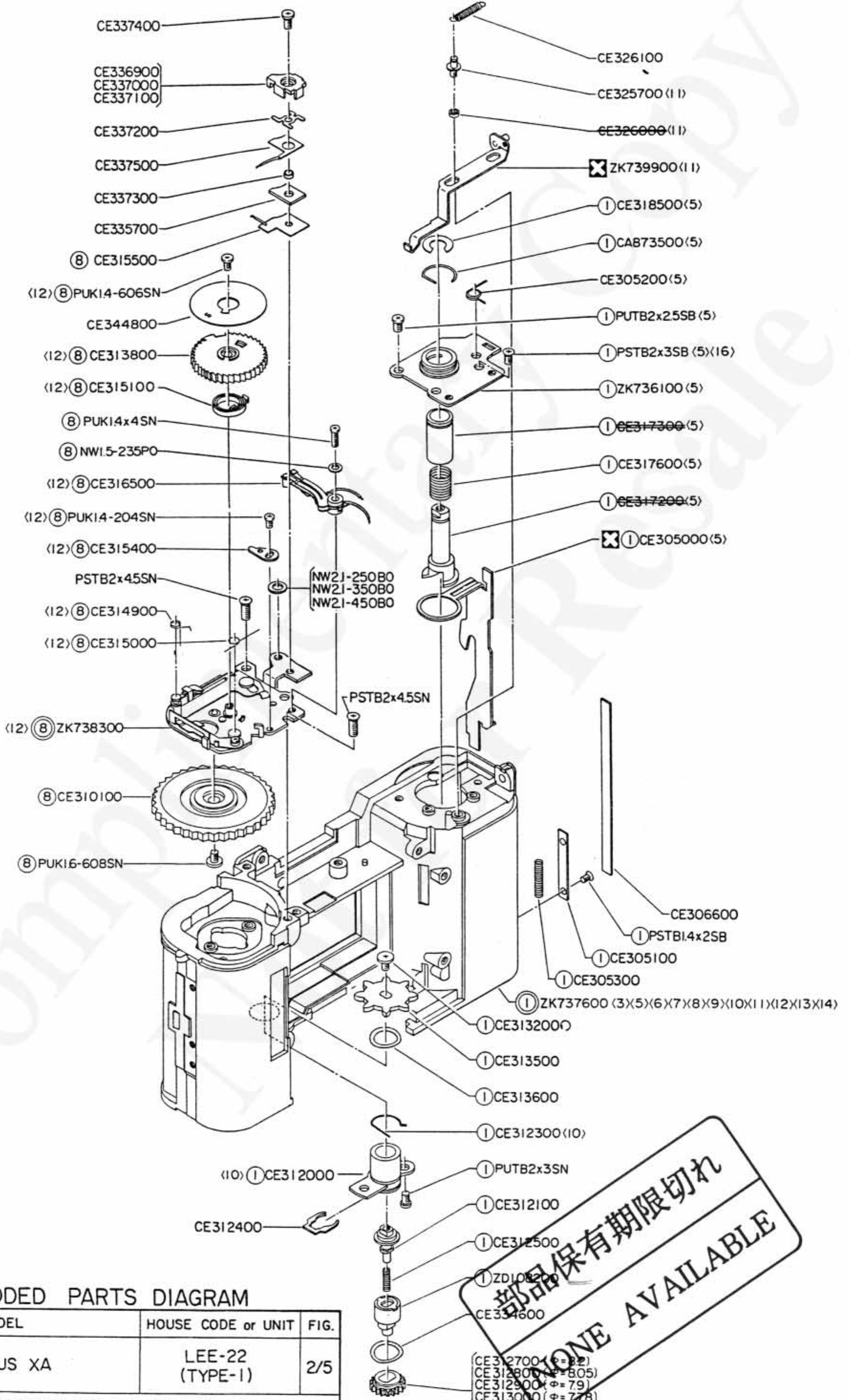
NOTE : WHEN ORDERING FOR SPARE PARTS, PLEASE CLARIFY A MODEL or HOUSE CODE, PARTS NUMBER AND QUANTITY.

A

B

C

D



1

2

3

4

### EXPLODED PARTS DIAGRAM

MODEL	HOUSE CODE or UNIT	FIG.
OLYMPUS XA	LEE-22 (TYPE-1)	2/5
OLYMPUS OPTICAL CO., LTD. TOKYO, JAPAN		

NOTE: WHEN ORDERING FOR SPARE PARTS, PLEASE CLARIFY A MODEL or HOUSE CODE, PARTS NUMBER AND QUANTITY.

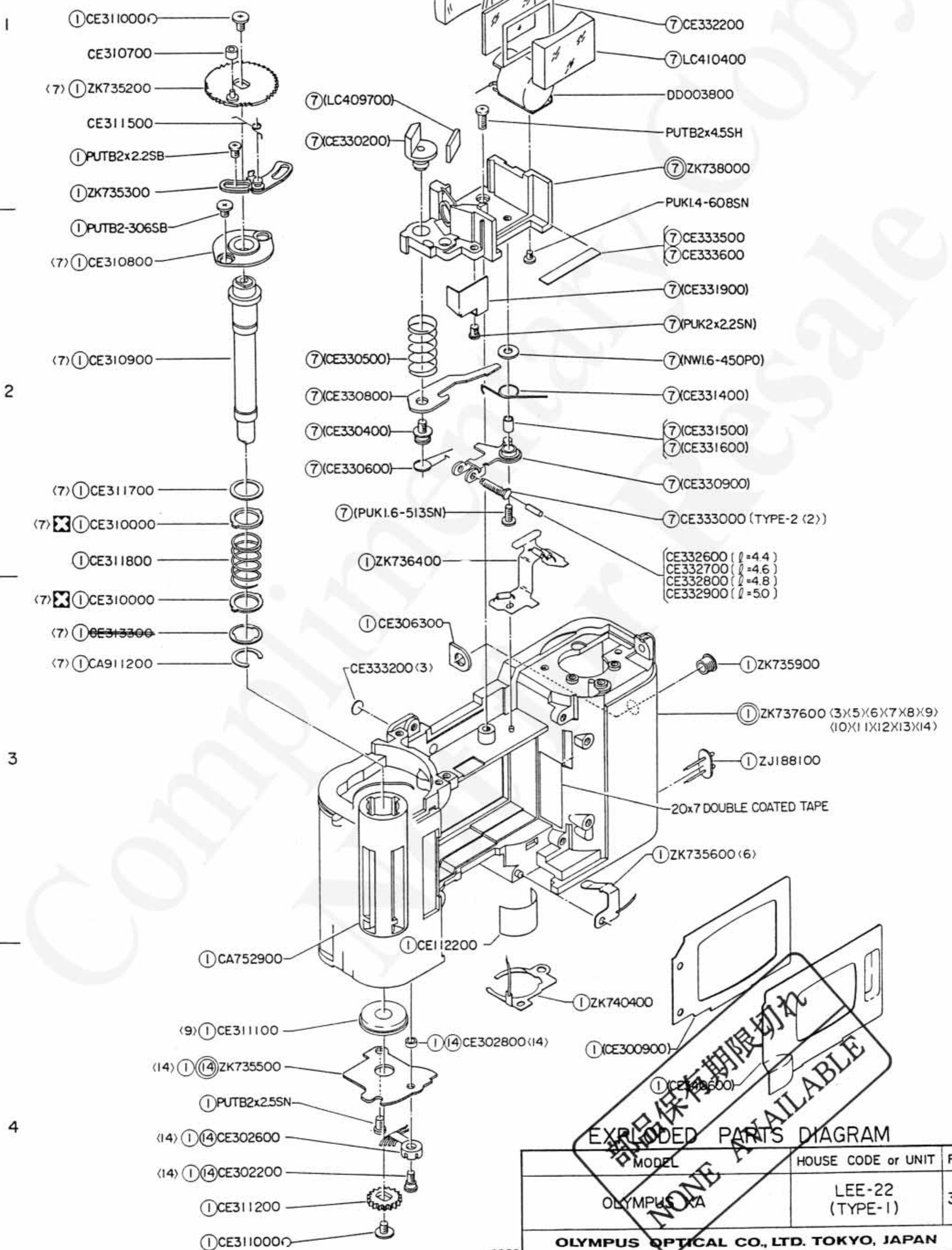
部品保有期限切れ  
NONE AVAILABLE

A

B

C

D



EXPLODED PARTS DIAGRAM

MODEL	HOUSE CODE or UNIT	FIG.
OLYMPUS TA	LEE-22 (TYPE-1)	3/5
OLYMPUS OPTICAL CO., LTD. TOKYO, JAPAN		

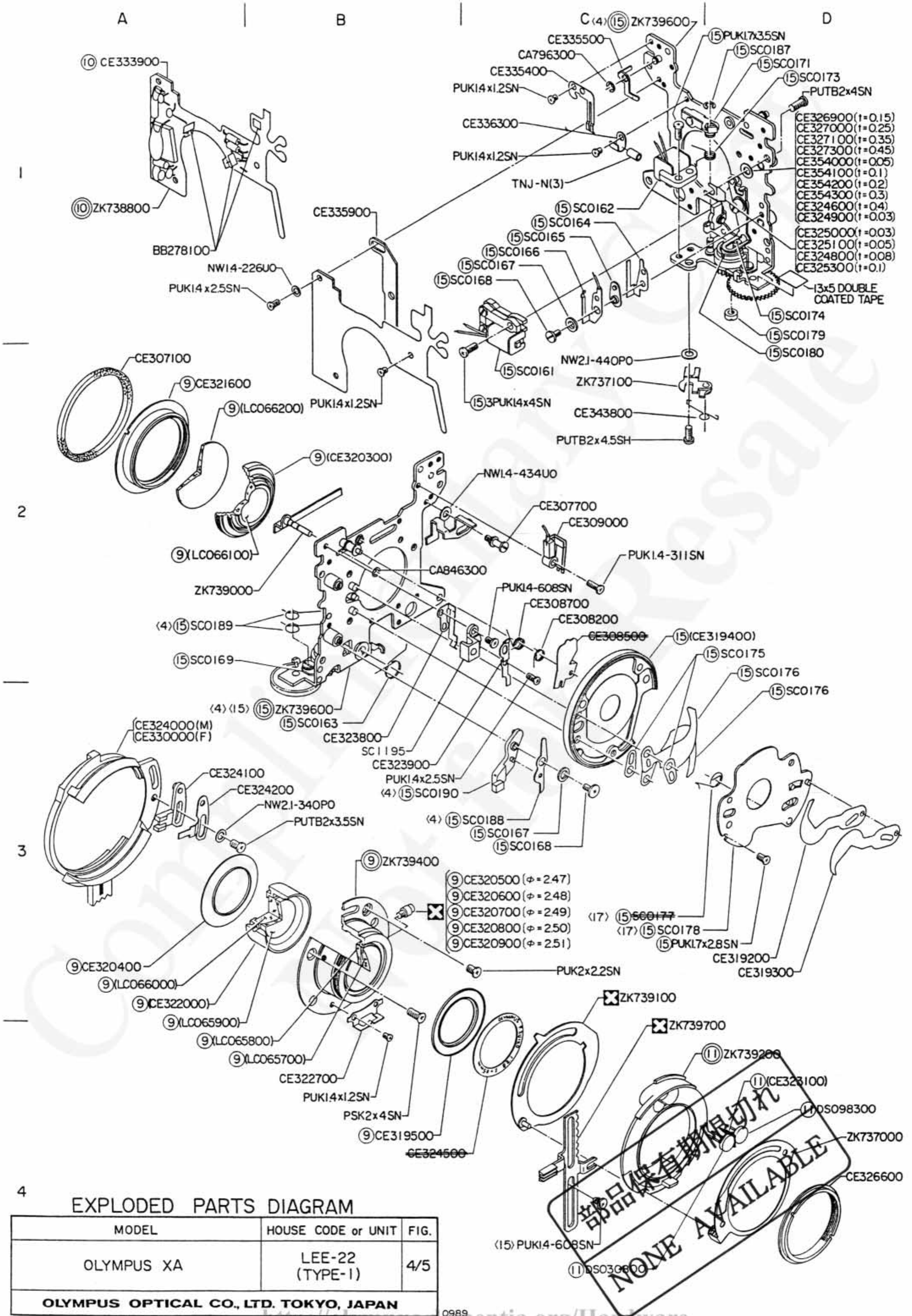
NOTE : WHEN ORDERING FOR SPARE PARTS, PLEASE CLARIFY A MODEL or HOUSE CODE, PARTS NUMBER AND QUANTITY.

A

B

C (4) (15) ZK739600

D



### EXPLODED PARTS DIAGRAM

MODEL	HOUSE CODE or UNIT	FIG.
OLYMPUS XA	LEE-22 (TYPE-1)	4/5

**OLYMPUS OPTICAL CO., LTD. TOKYO, JAPAN**

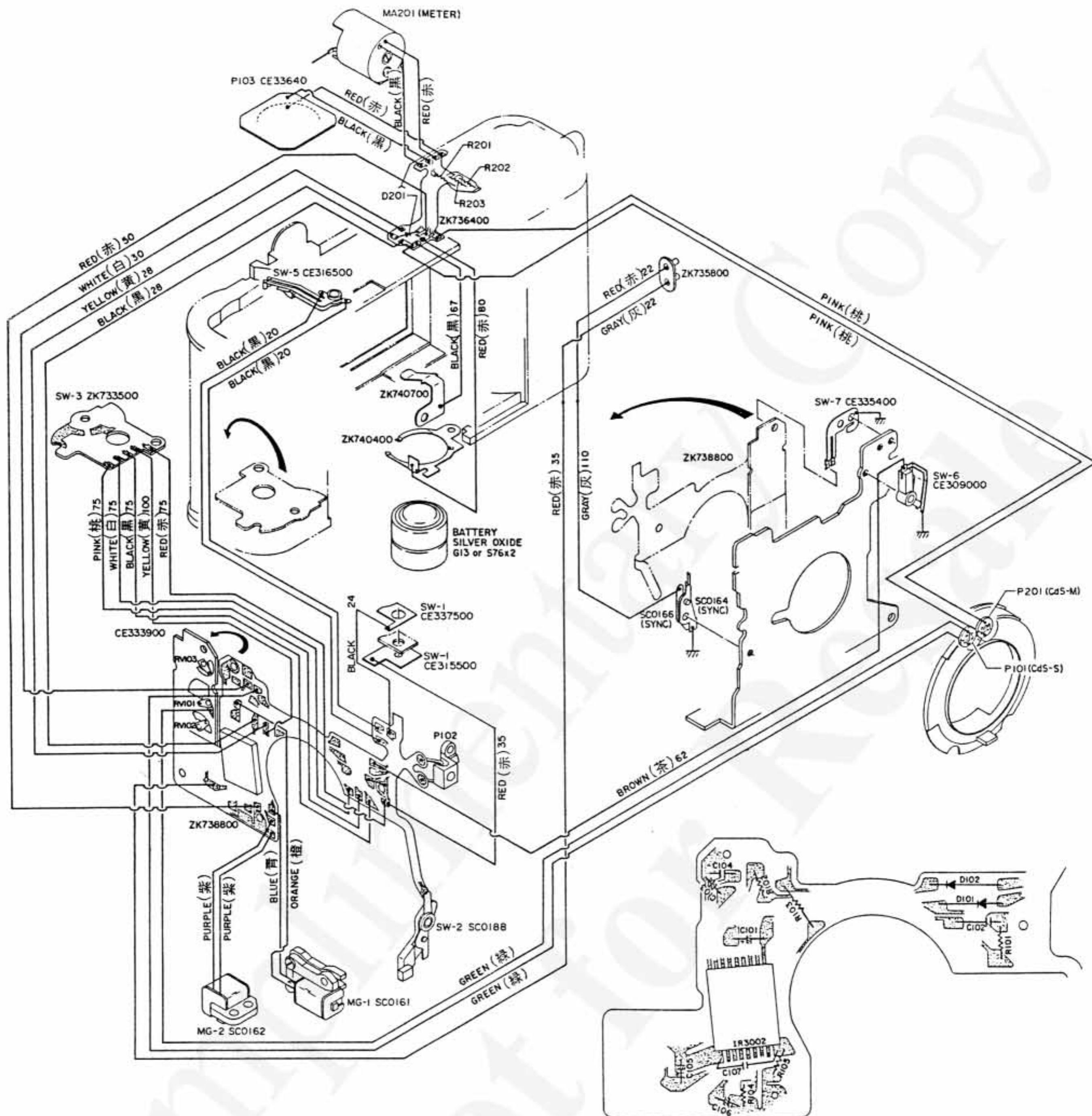
NOTE: WHEN ORDERING FOR SPARE PARTS, PLEASE CLARIFY A MODEL or HOUSE CODE, PARTS NUMBER AND QUANTITY.

A

B

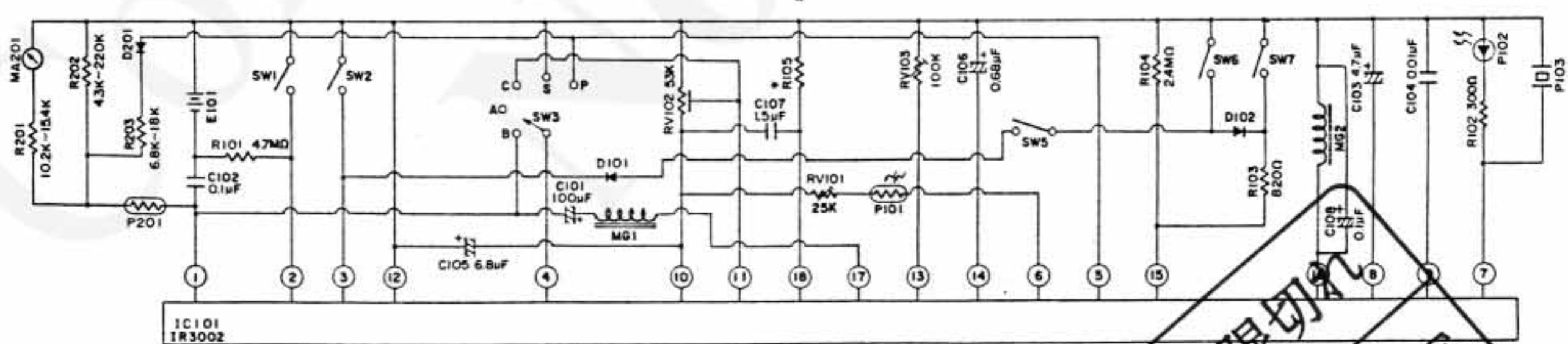
C

D



2

3



4

EXPLoded PARTS DIAGRAM  
 部品保有期限切れ  
 NONE AVAILABLE

MODEL	HOUSE CODE or UNIT	FIG.
OLYMPUS	LEE-22 (TYPE-1)	5/5
OLYMPUS OPTICAL CO., LTD. TOKYO, JAPAN		

NOTE : WHEN ORDERING FOR SPARE PARTS, PLEASE CLARIFY A MODEL or HOUSE CODE, PARTS NUMBER AND QUANTITY.