

[54] CAMERA

[75] Inventor: Yoshihisa Maitani, Hachiogi, Japan

[73] Assignee: Olympus Optical Company, Ltd.,
Tokyo, Japan

[**] Term: 14 Years

[21] Appl. No.: 963,333

[22] Filed: Nov. 24, 1978

[30] Foreign Application Priority Data

Jun. 14, 1978 [JP] Japan 53-24375

[51] Int. Cl. D16-01

[52] U.S. Cl. D16/05

[58] Field of Search D16/1-10;
354/126, 145, 152, 158, 170, 173, 174, 187, 202,
288

[56]

References Cited

U.S. PATENT DOCUMENTS

D. 213,806	4/1969	Ikegami et al.	D16/5
D, 224,350	7/1972	Fukuda	D16/5
D. 238,613	1/1976	Waaske	D16/1 X
3,741,097	6/1973	Fukuda et al.	354/187 X
4,171,894	10/1979	Yamada	354/187

Primary Examiner—Catherine E. Kemper
Attorney, Agent, or Firm—Louis Weinstein

[57]

CLAIM

The ornamental design for a camera, as shown and described.

DESCRIPTION

FIG. 1 is a top, front and right side perspective view of a camera, showing my new design;

FIG. 2 is a rear, bottom and left side perspective view thereof;

FIG. 3 is a top view thereof;

FIG. 4 is a front view thereof;

FIG. 5 is a bottom view thereof;

FIG. 6 is a rear view thereof;

FIG. 7 is left side view thereof; and

FIG. 8 is a right side view thereof.

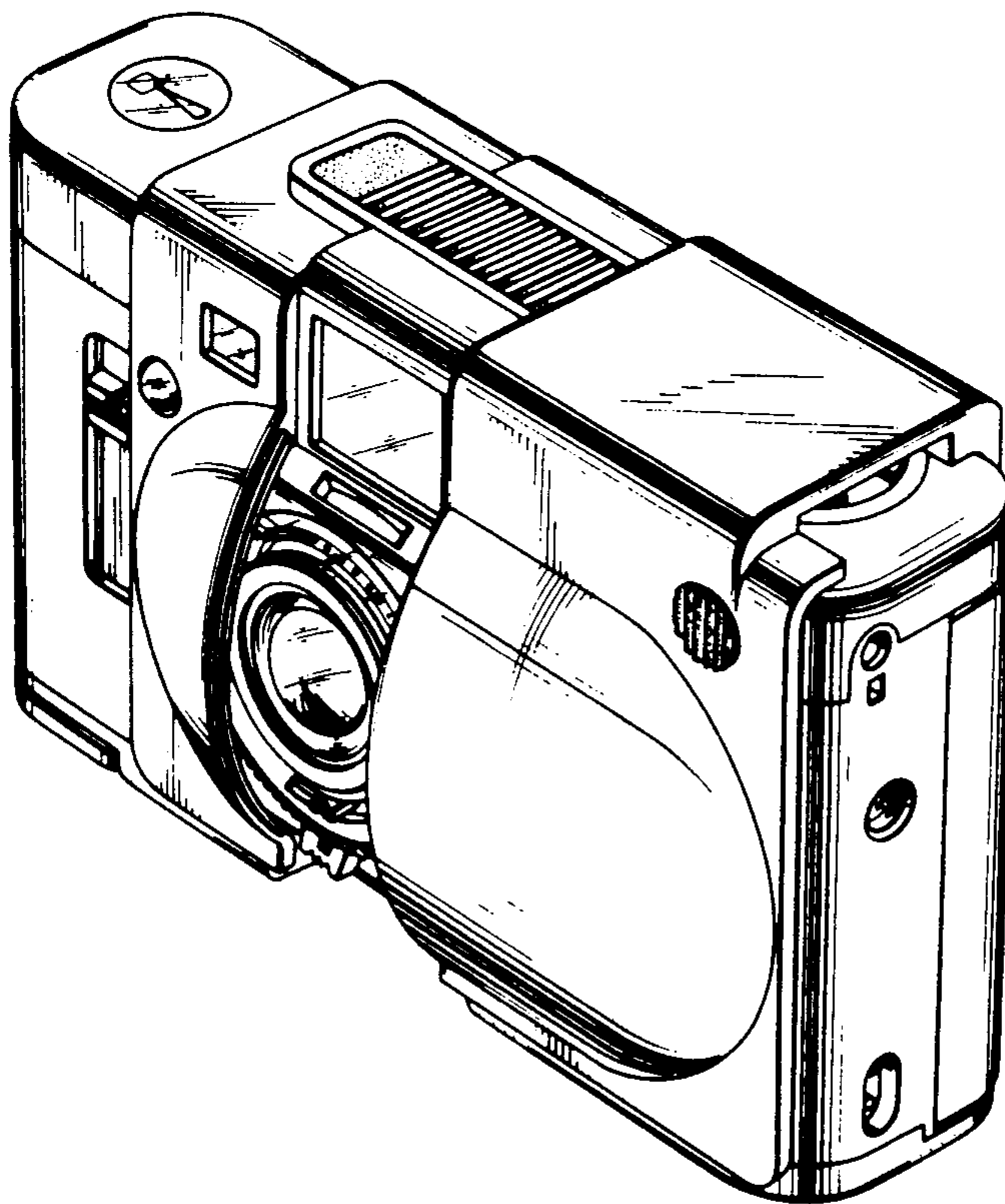


FIG. 1

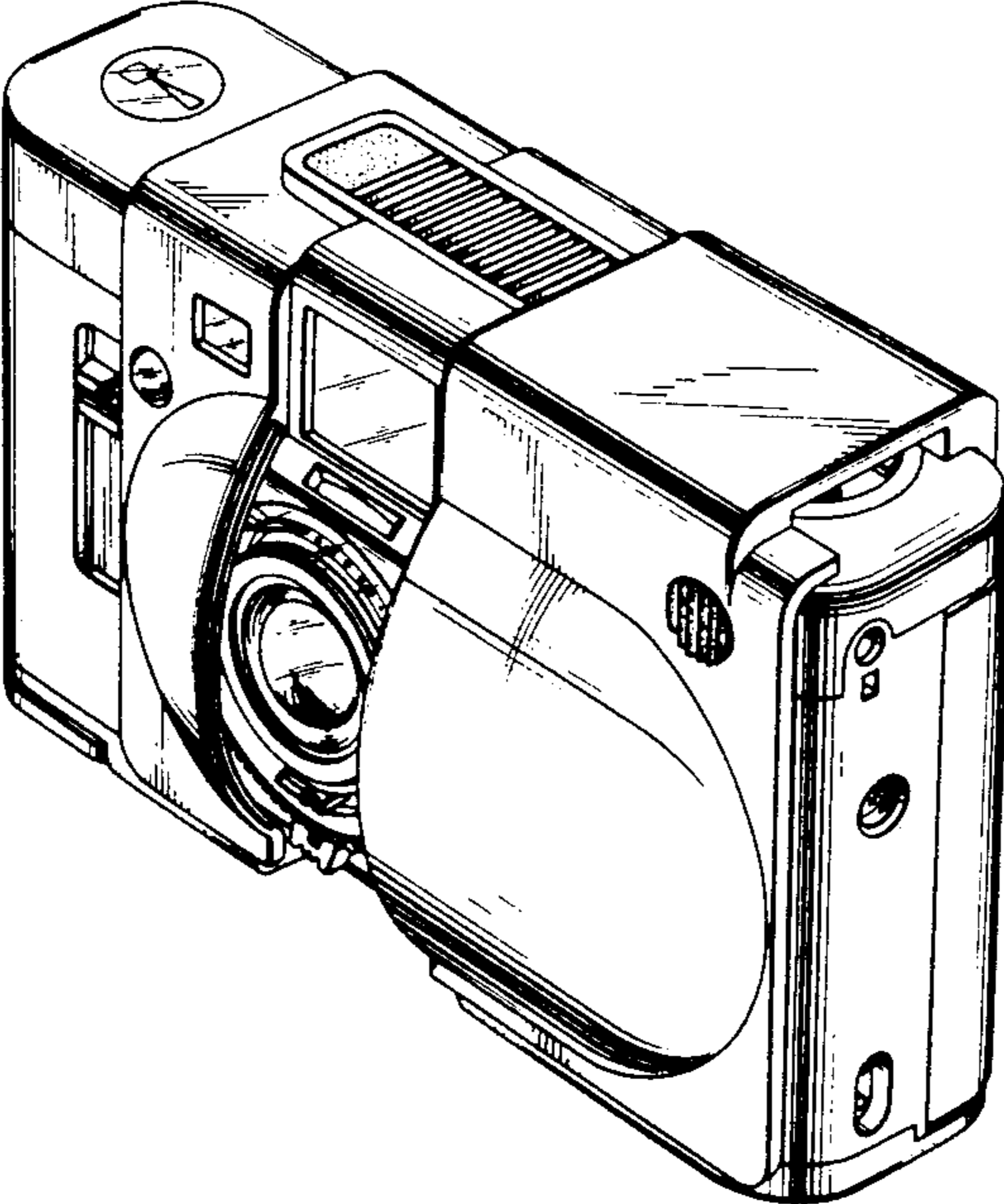


FIG. 2

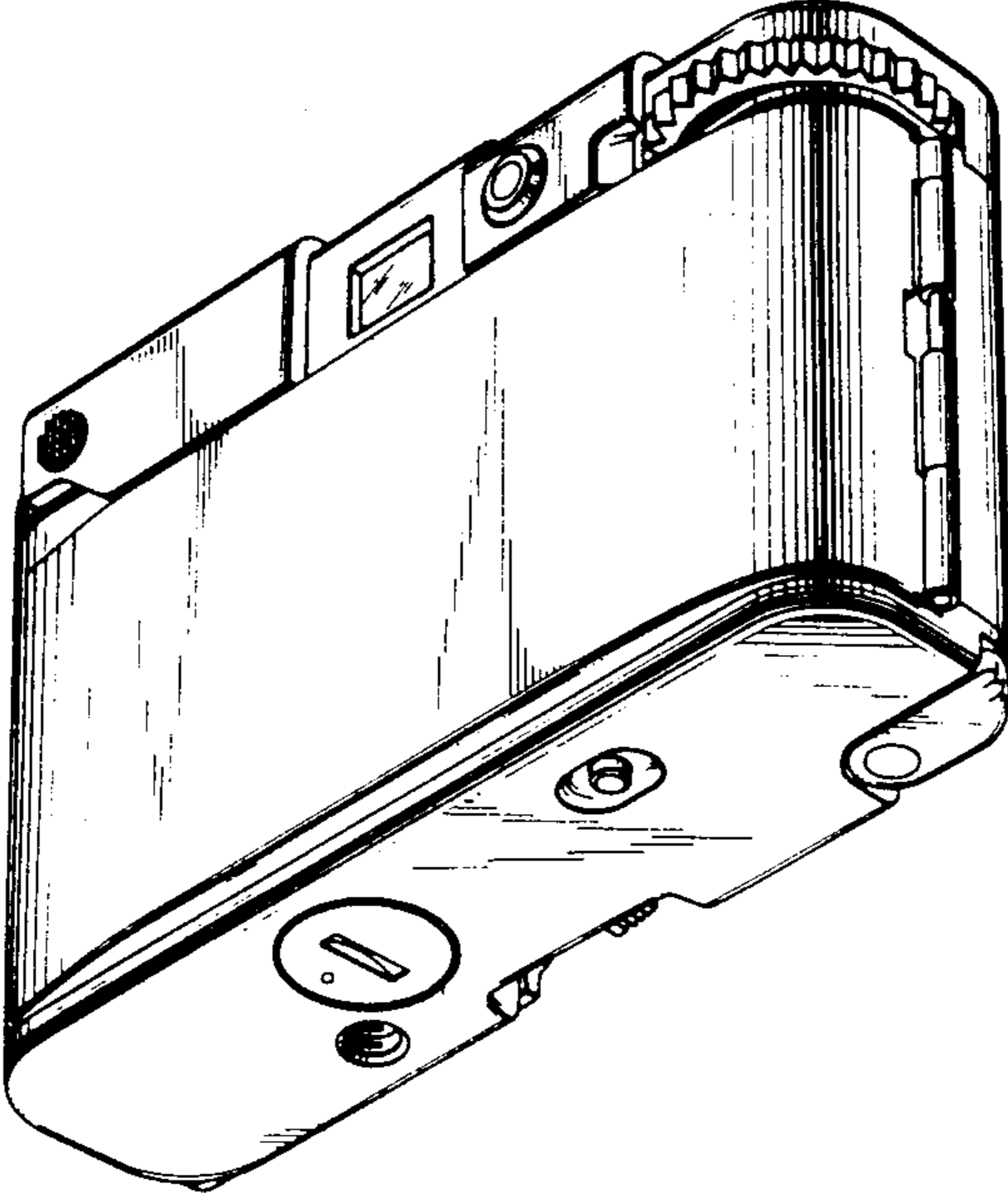


FIG. 3

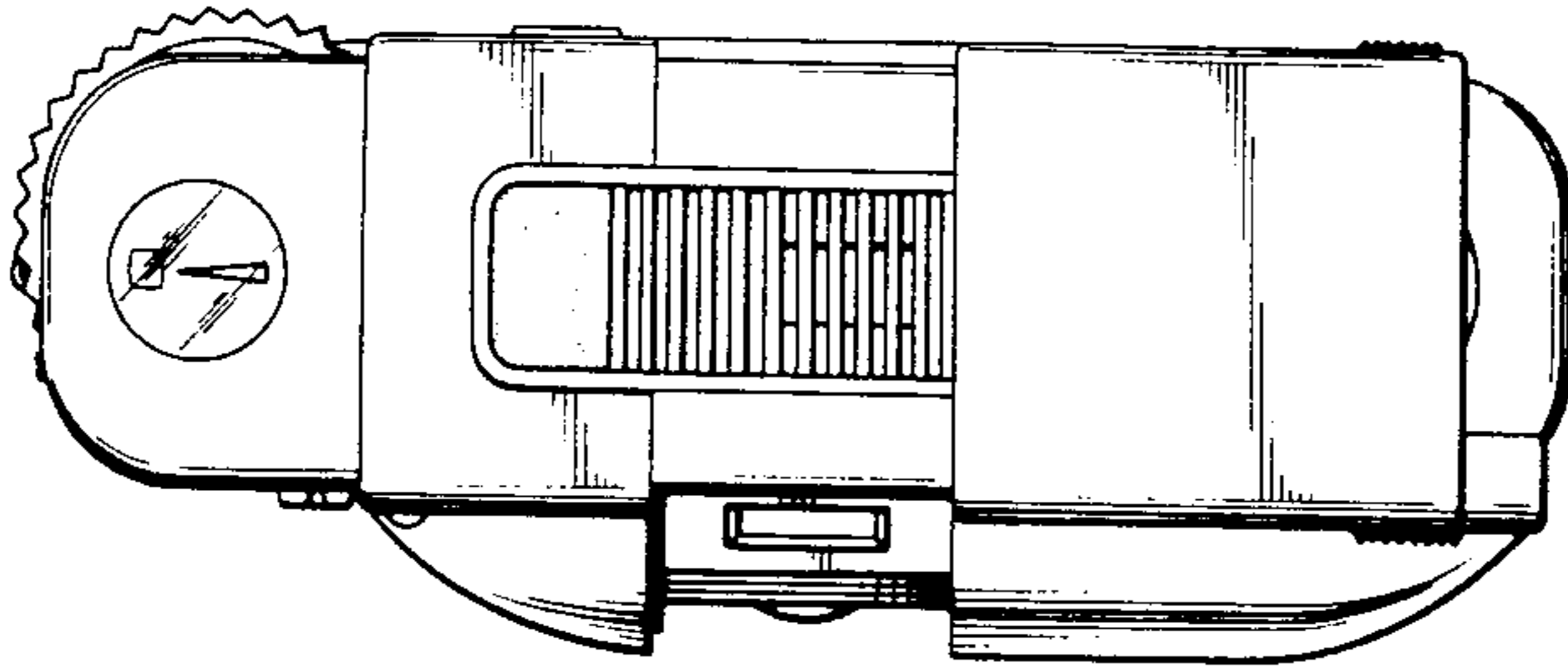


FIG. 4

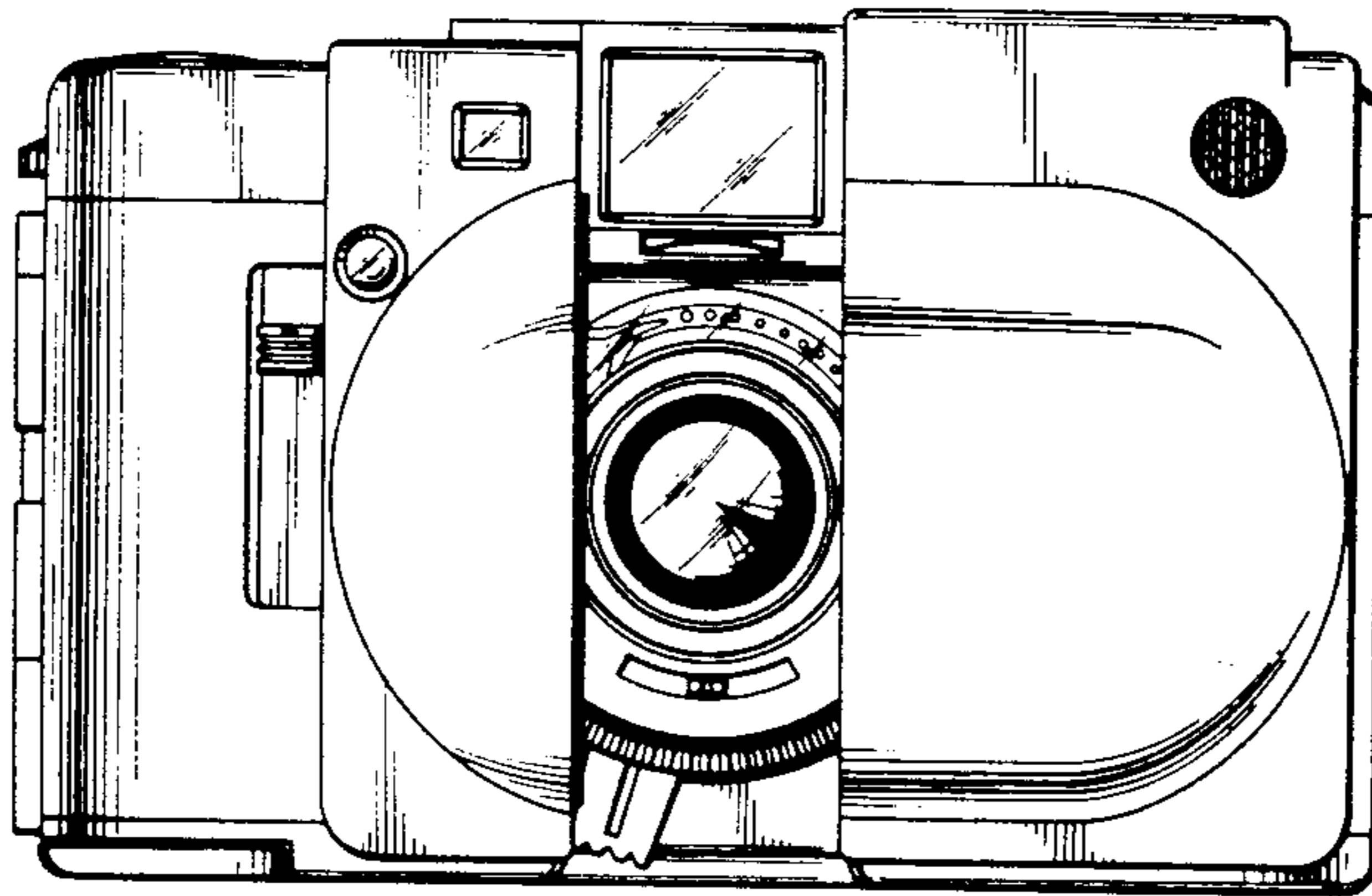


FIG. 5

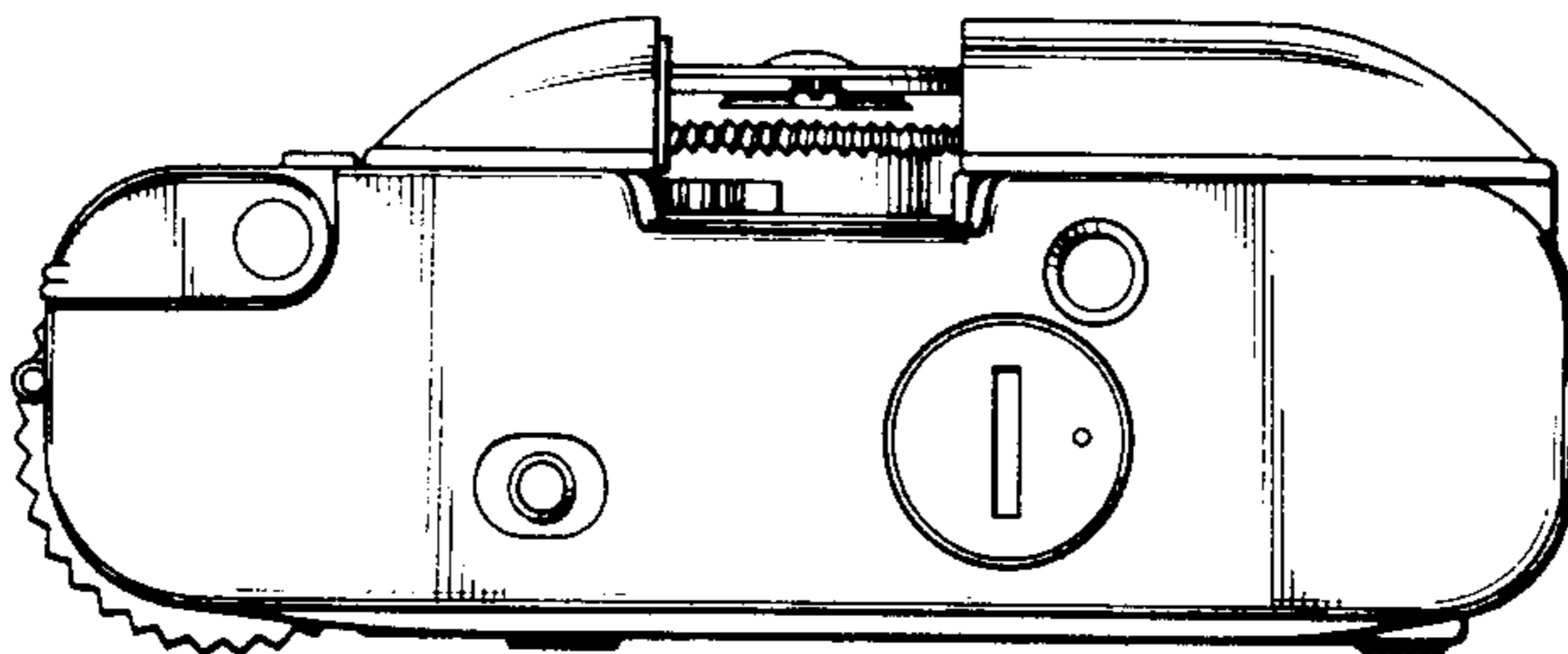


FIG. 6

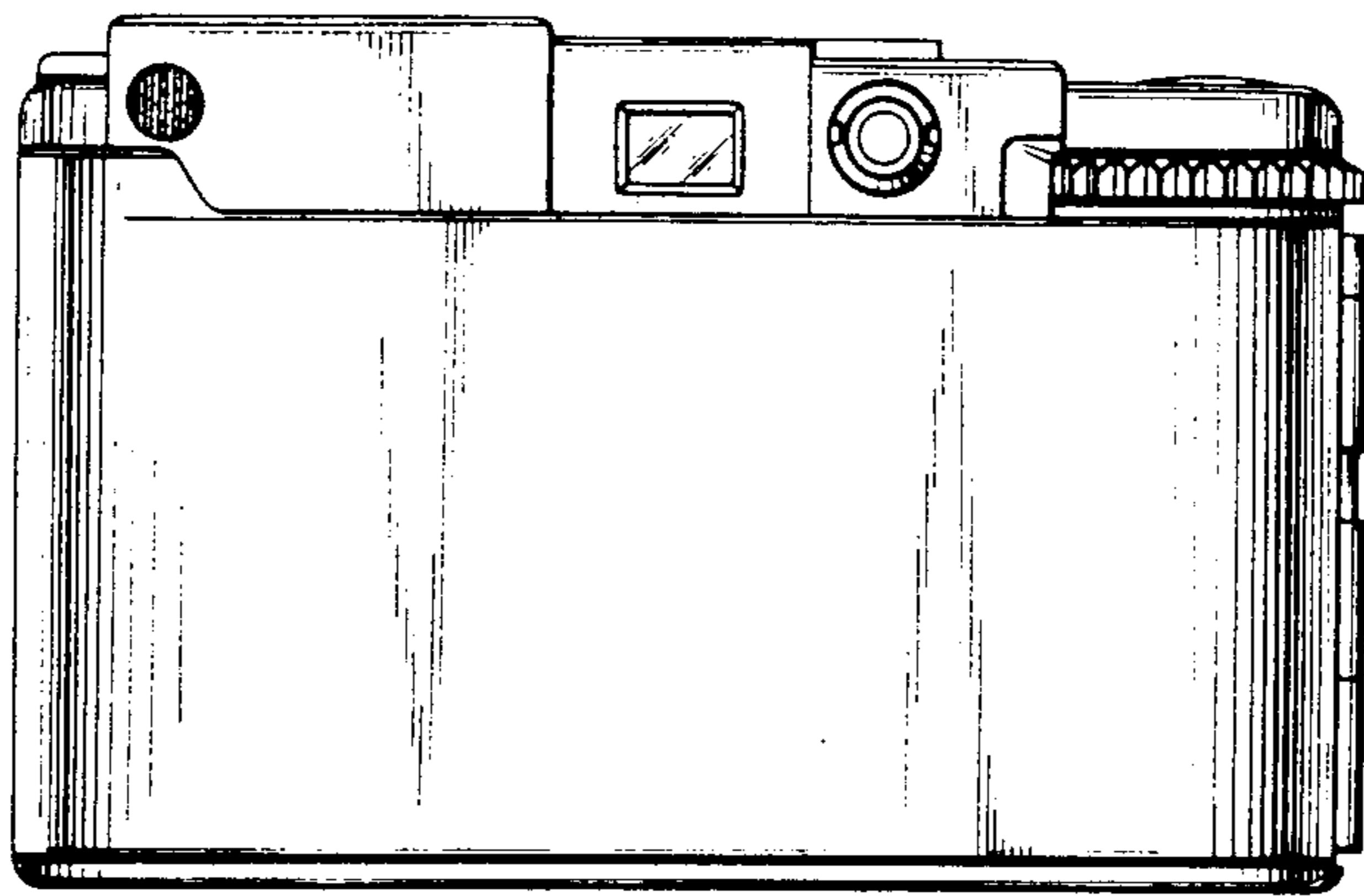


FIG. 7

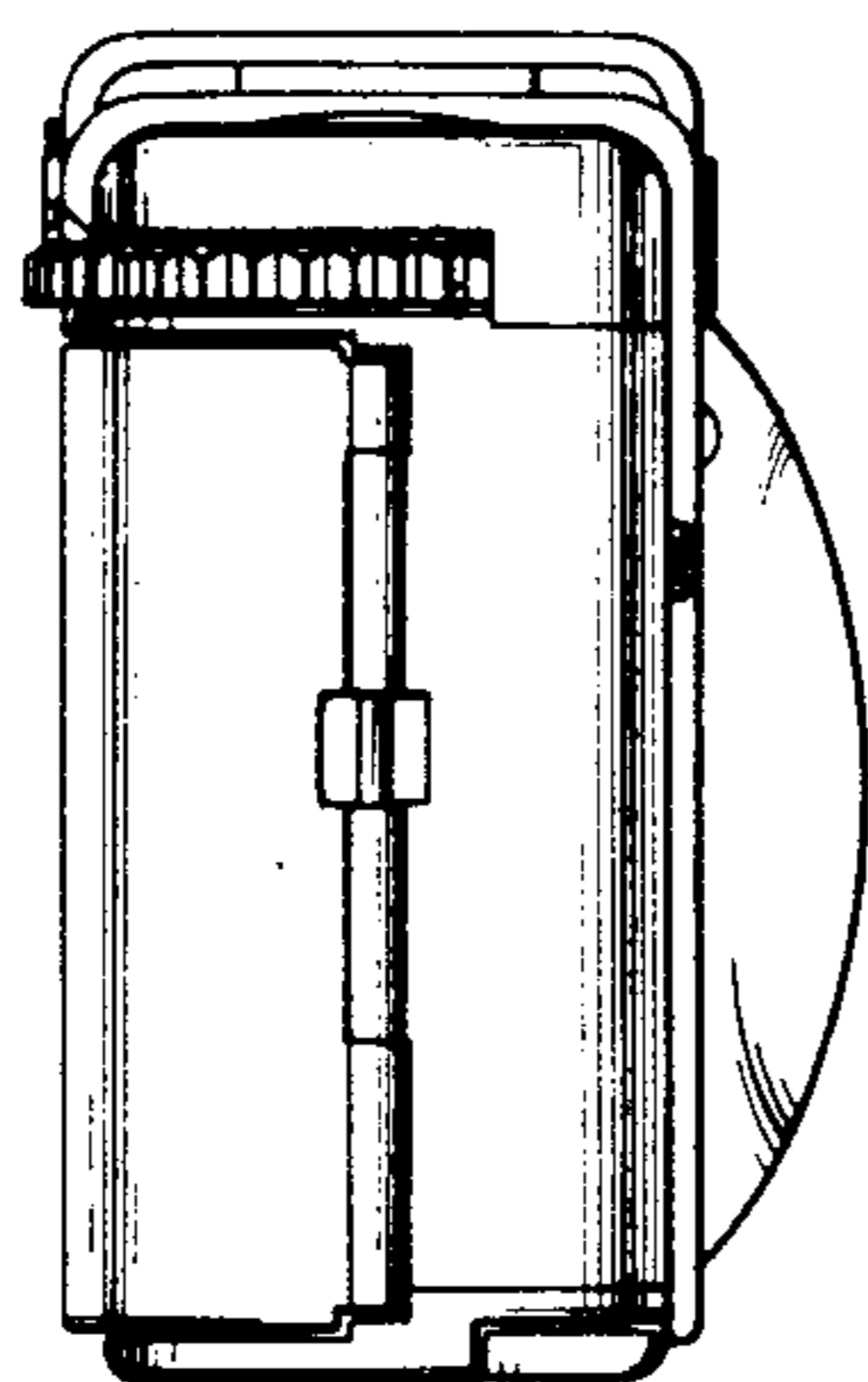


FIG. 8

