

[54] CAMERA WITH STROBO UNIT
[75] Inventor: Yoshihisa Maitani, Hachioji, Japan
[73] Assignee: Olympus Optical Company, Ltd., Tokyo, Japan

[**] Term: 14 Years
[21] Appl. No.: 963,334
[22] Filed: Nov. 24, 1978

[30] Foreign Application Priority Data
Jun. 14, 1978 [JP] Japan 53-24373

[51] Int. Cl. D16-01
[52] U.S. Cl. D16/06
[58] Field of Search D16/1-10;
354/126, 145, 152, 158, 170, 173, 174, 187, 202,
288

[56] References Cited
U.S. PATENT DOCUMENTS
D. 213,806 4/1969 Ikegami et al. D16/5

D. 224,350 7/1972 Fukuda D16/5
D. 238,613 1/1976 Waaske D16/1 X
D. 247,852 5/1978 Fukuda D16/6
3,741,097 6/1973 Fukuda et al. 354/187 X
4,171,894 10/1979 Yamada 354/187

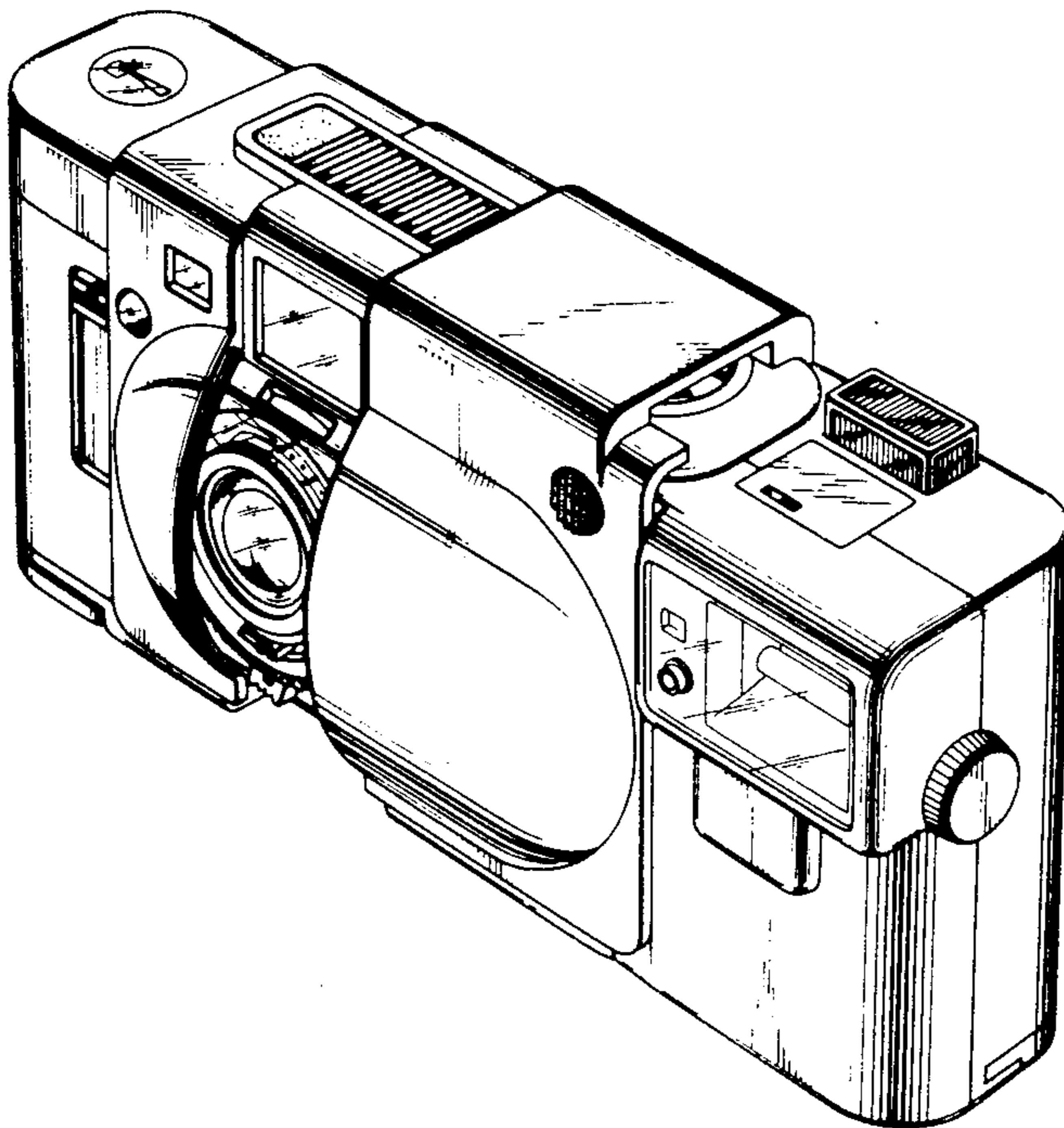
Primary Examiner—Catherine E. Kemper
Attorney, Agent, or Firm—Louis Weinstein; Ezra Sutton

[57] CLAIM

The ornamental design for a camera with strobo unit, as shown and described.

DESCRIPTION

FIG. 1 is a top, front and right side perspective view of a camera with strobo unit, showing my new design; FIG. 2 is a rear, bottom and left side perspective view thereof; FIG. 3 is a top view thereof; FIG. 4 is a front view thereof; FIG. 5 is a bottom view thereof; FIG. 6 is a rear view thereof; FIG. 7 is a left side view thereof; and FIG. 8 is a right side view thereof.



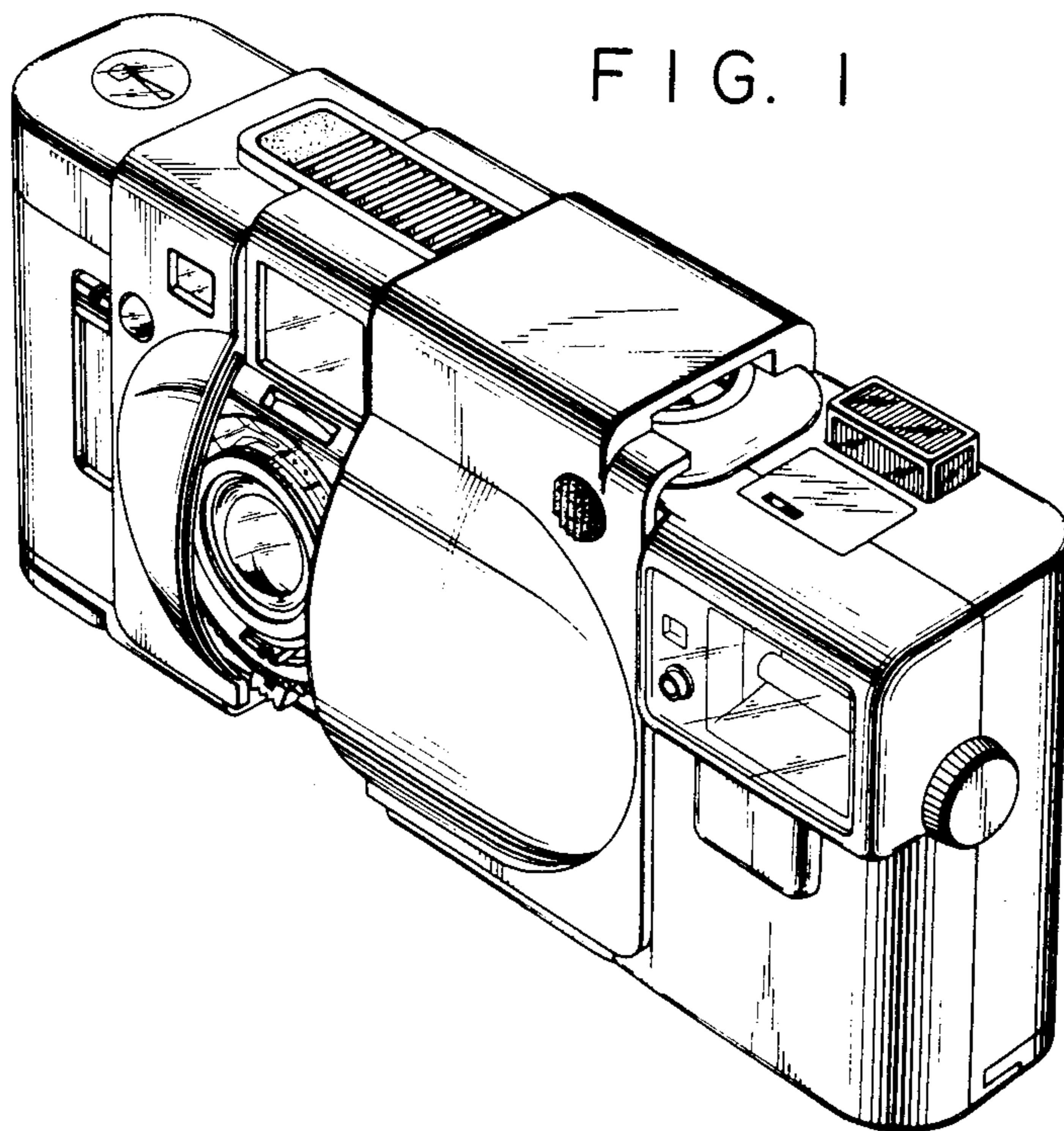


FIG. 1

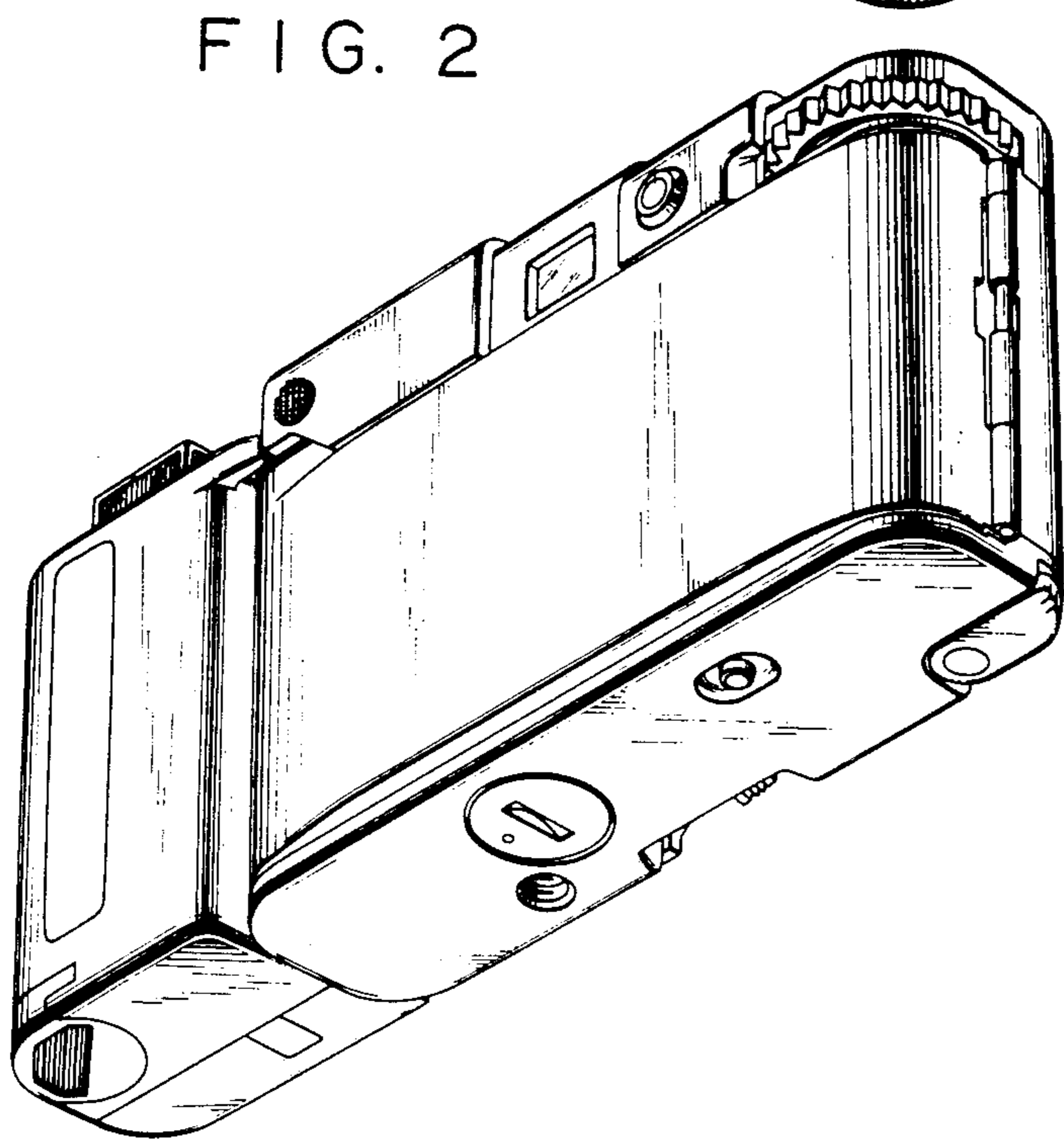


FIG. 2

FIG. 3

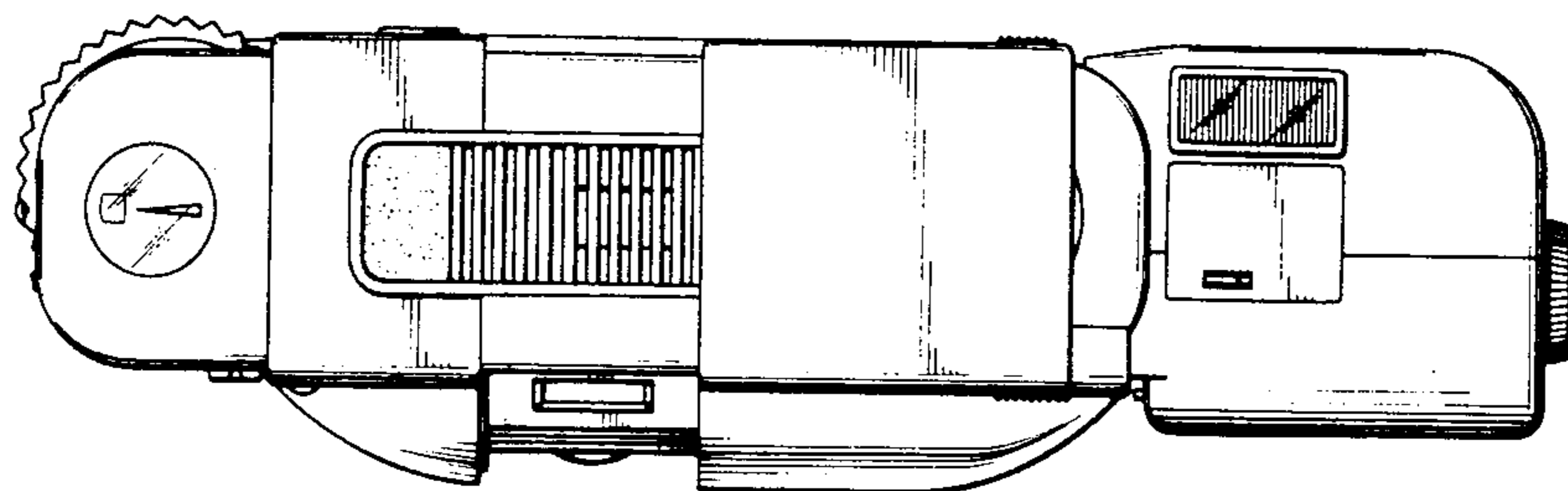


FIG. 4

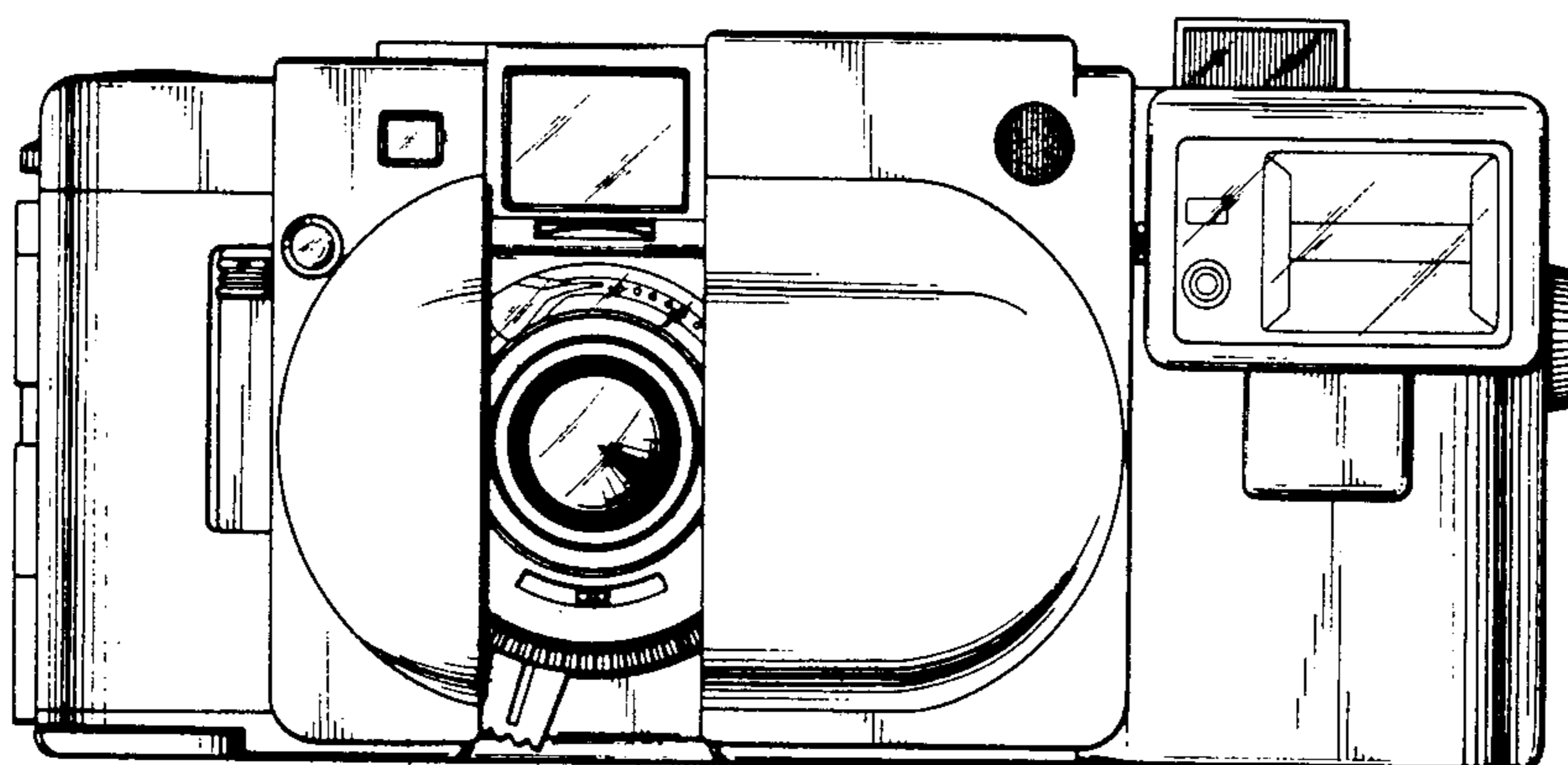


FIG. 5

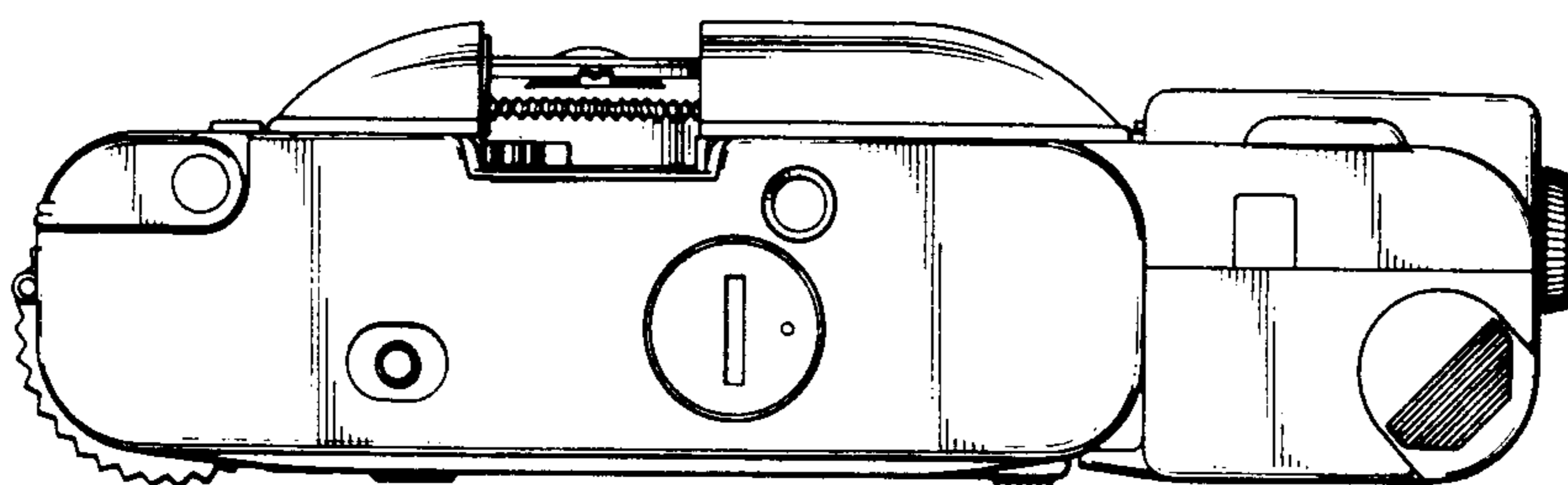


FIG. 6

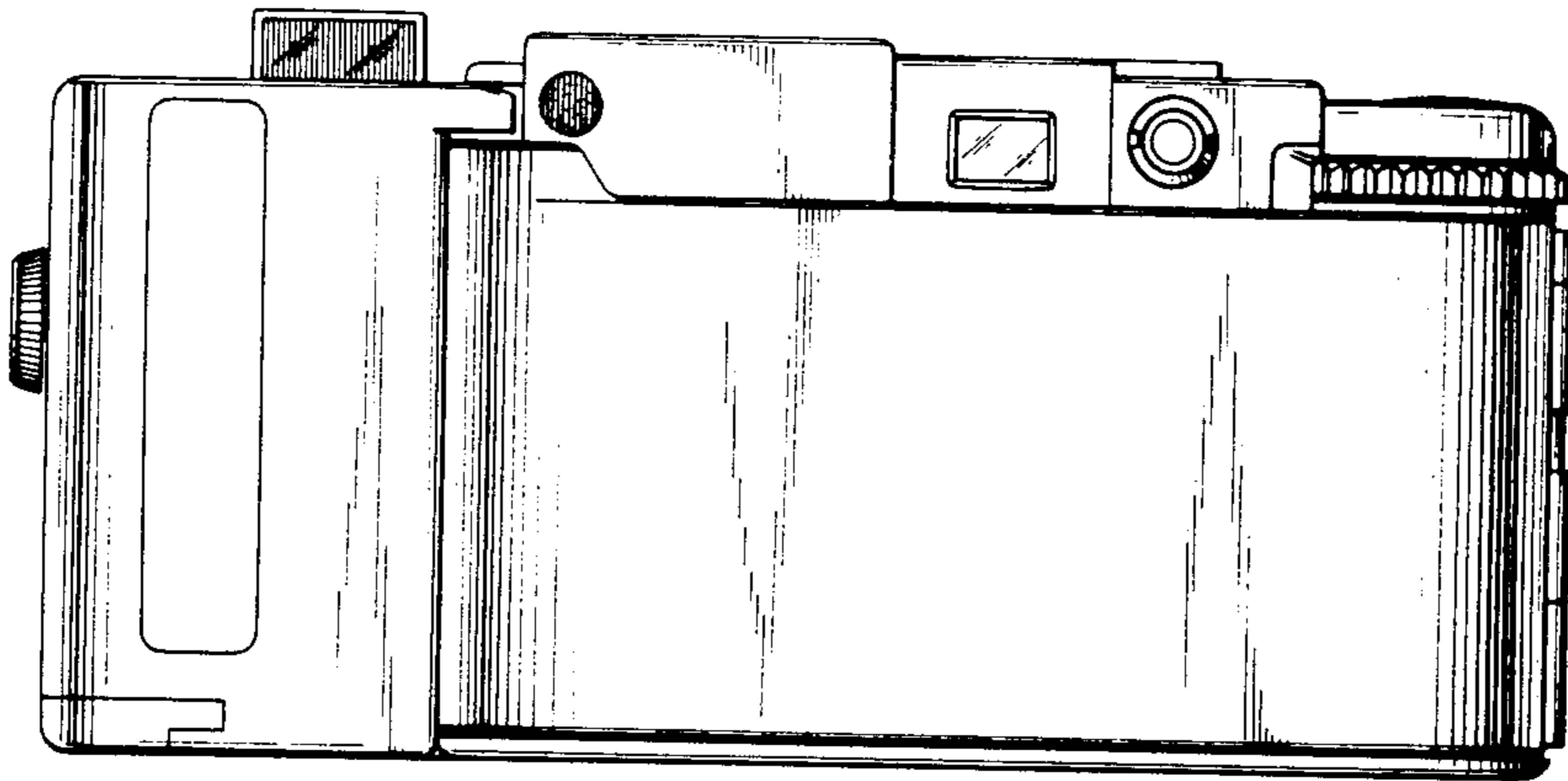


FIG. 7

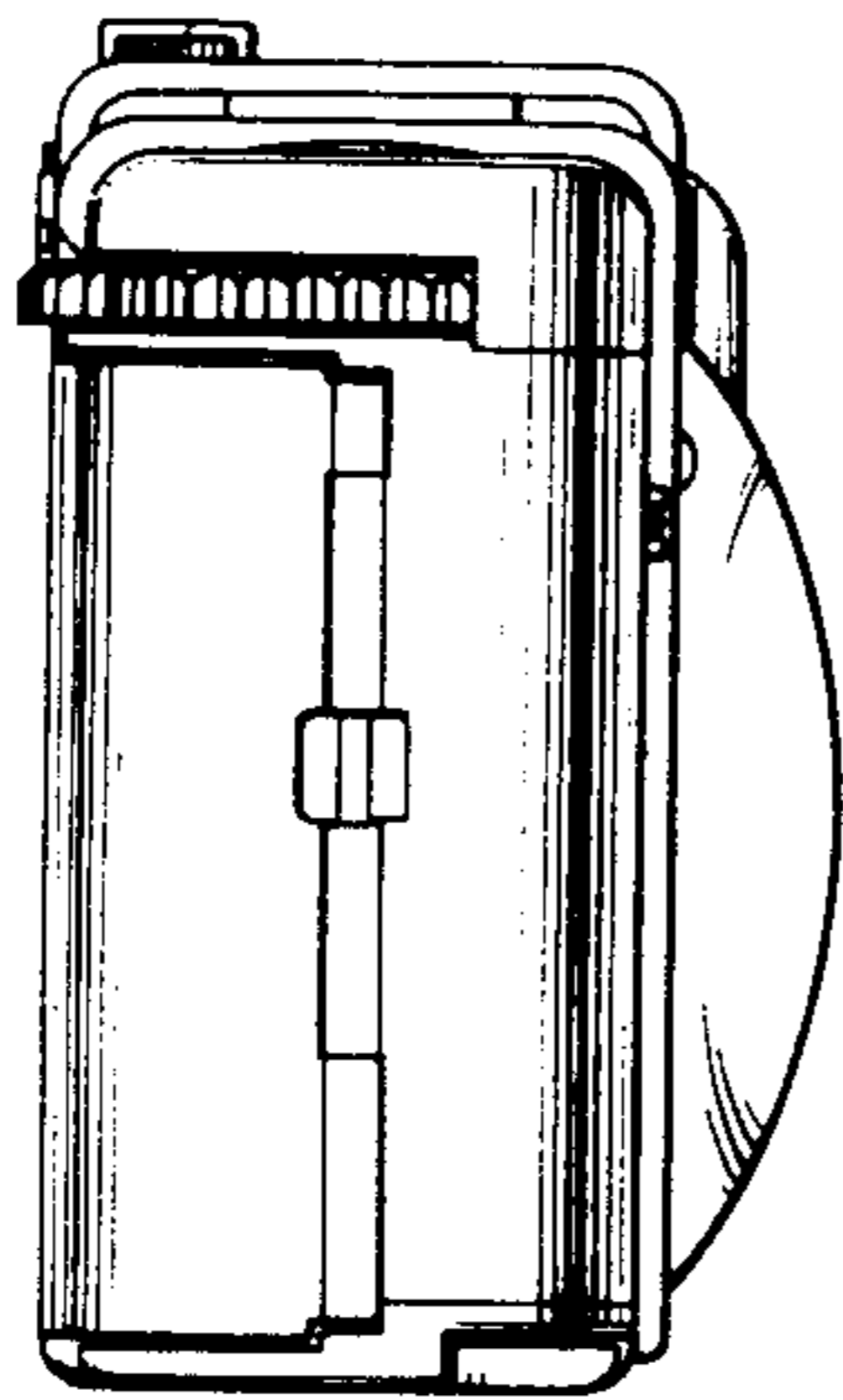


FIG. 8

