

[54] FLASHLIGHT APPARATUS

[75] Inventors: Yasuo Hattori; Yoshihisa Maitani, both of Hachioji, Japan

[73] Assignee: Olympus Optical Co., Ltd., Japan

[**] Term: 14 Years

[21] Appl. No.: 513,772

[22] Filed: Jul. 14, 1983

[30] Foreign Application Priority Data

Feb. 25, 1983 [JP] Japan 58-7583

[52] U.S. Cl. D16/42

[58] Field of Search D16/42; 362/3-4, 362/7, 9-10, 16, 18, 255, 217, 33, 280, 285, 287, 322, 323, 277

[56] References Cited

U.S. PATENT DOCUMENTS

- D. 233,562 11/1974 Prochnow D16/42
- D. 241,273 8/1976 Okuno D16/42
- D. 263,720 4/1982 Takematsu D16/42
- D. 271,306 11/1983 Shull D16/42
- 2,544,388 3/1951 Lang D16/42 X
- 3,751,652 8/1973 Peterson D16/42 X
- 3,999,055 12/1976 Wakahara 362/3 X

- 4,078,240 3/1978 Kaneko 362/4 X
- 4,190,880 2/1980 Esaki 362/18
- 4,276,579 6/1981 Yako 362/18 X
- 4,530,034 7/1985 Kawarada 362/9

OTHER PUBLICATIONS

British Journal of Photography—1—13—71, p. X—Flash Unit at top.

Primary Examiner—Nelson C. Holtje
Attorney, Agent, or Firm—Ostrolenk, Faber, Gerb & Soffen

[57] CLAIM

The ornamental design for a photographic flash unit, as shown and described.

DESCRIPTION

FIG. 1 is a top, front, right side perspective view of a photographic flash unit, showing our new design;
 FIG. 2 is a rear, bottom, left side perspective view thereof;
 FIG. 3 is a front elevational view thereof;
 FIG. 4 is a rear elevational view thereof;
 FIG. 5 is a top plan view thereof;
 FIG. 6 is a bottom plan view thereof;
 FIG. 7 is a left side elevational view thereof;
 FIG. 8 is a right side elevational view thereof.

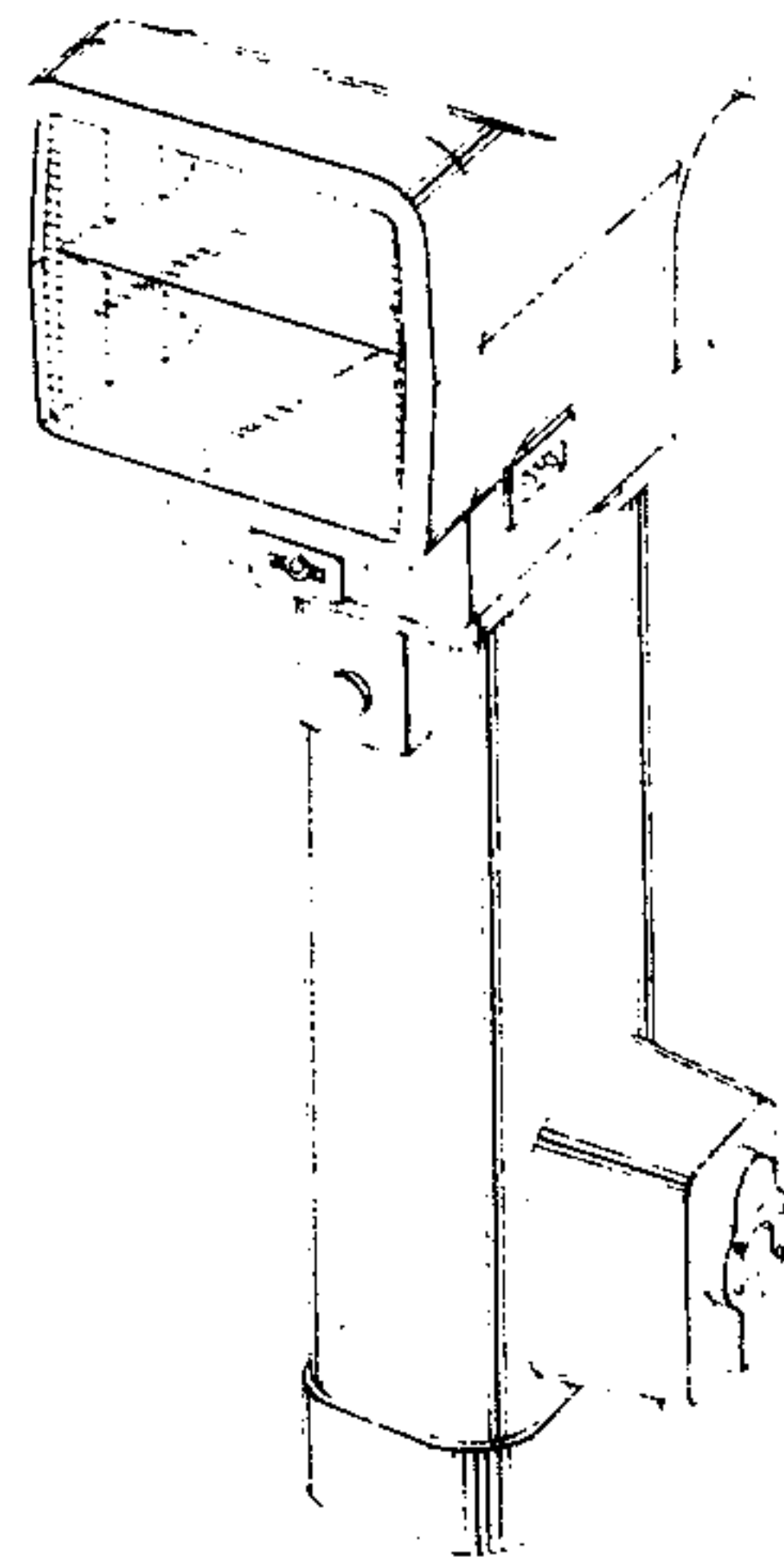


FIG. 1

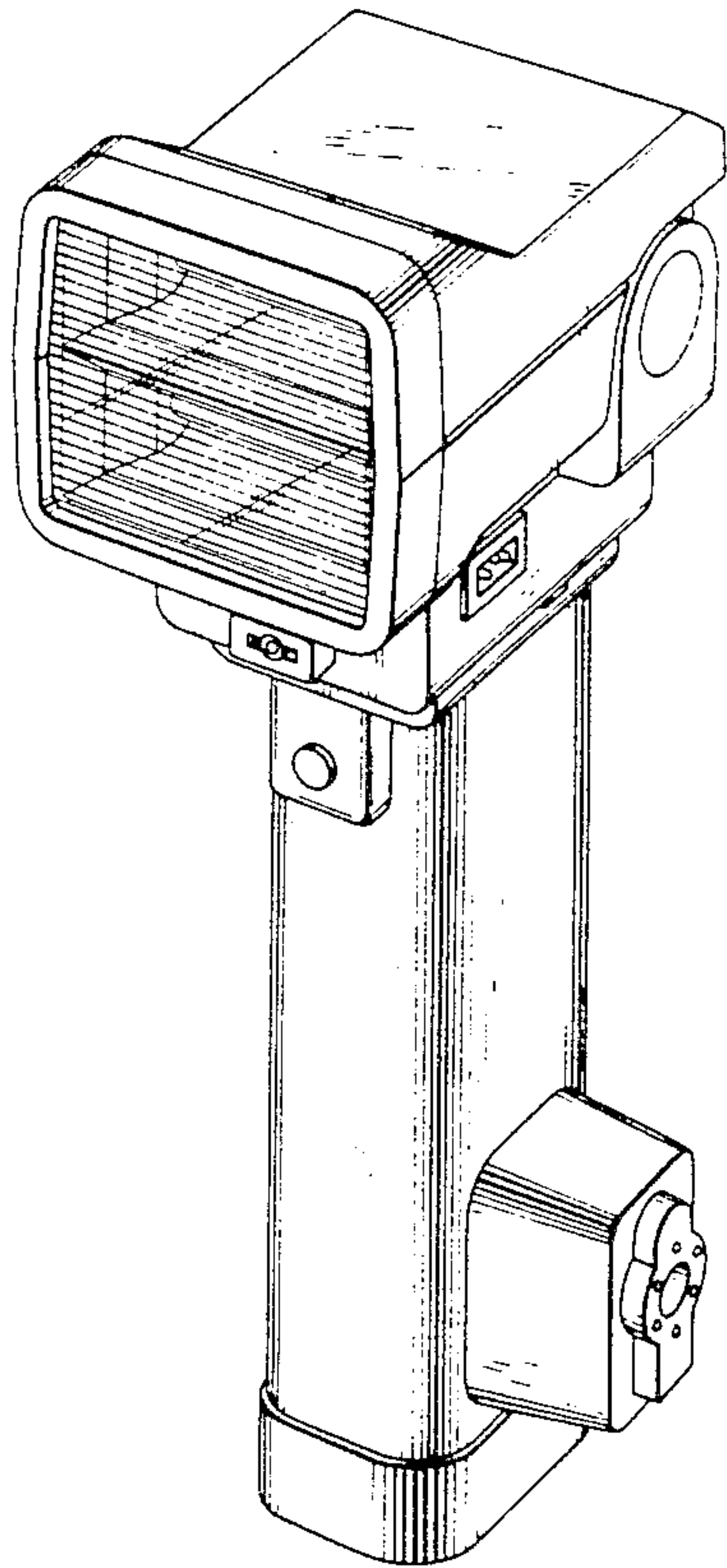


FIG. 2

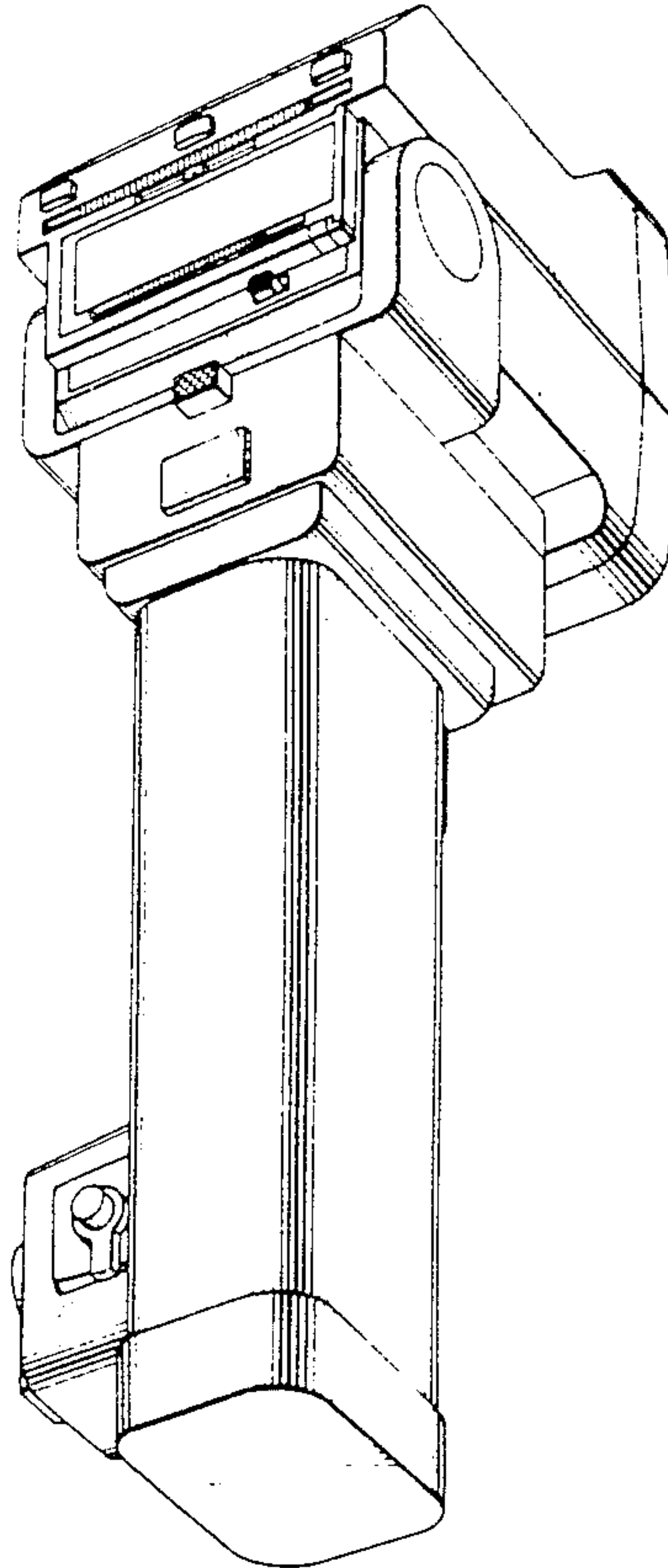


FIG. 3

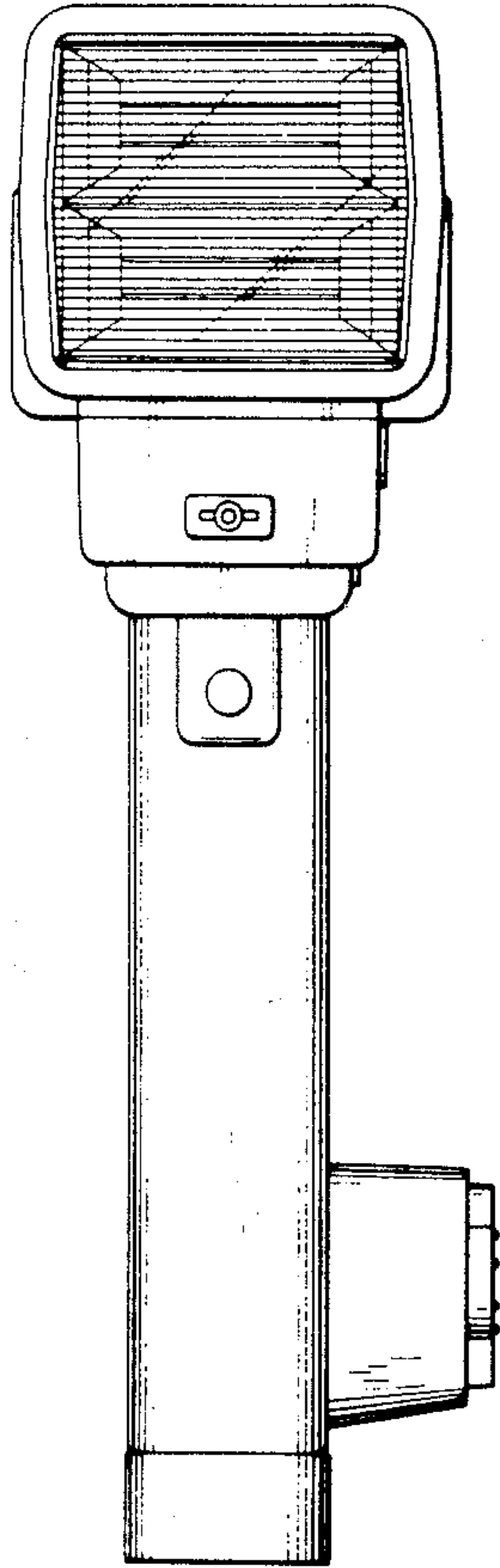


FIG. 4

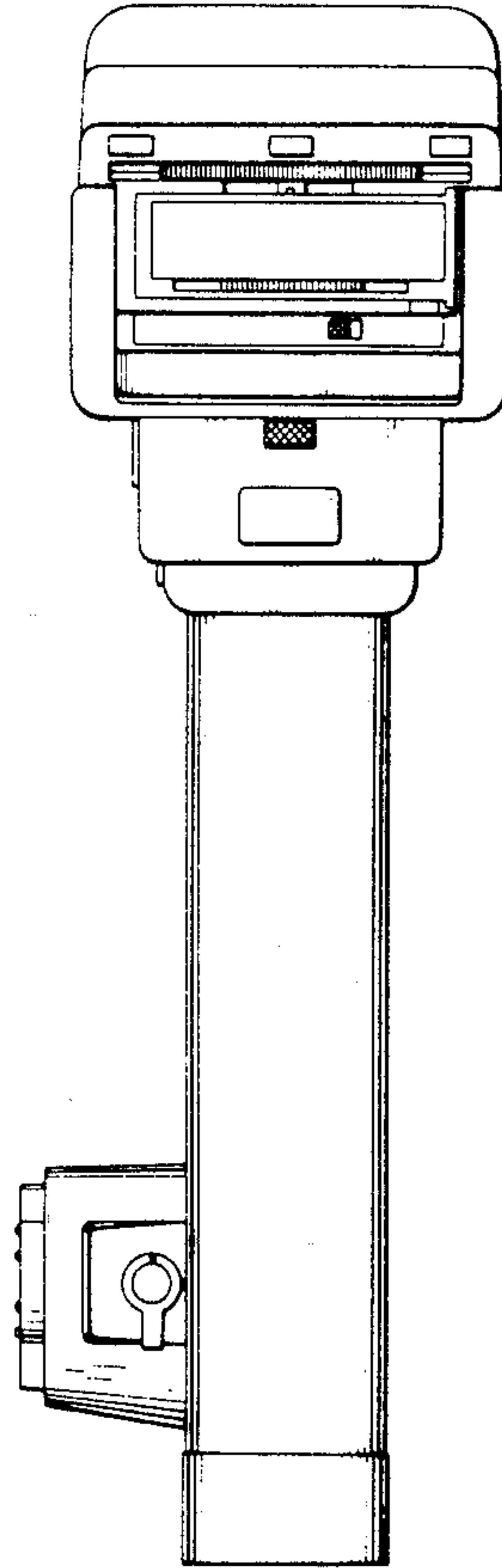


FIG. 5

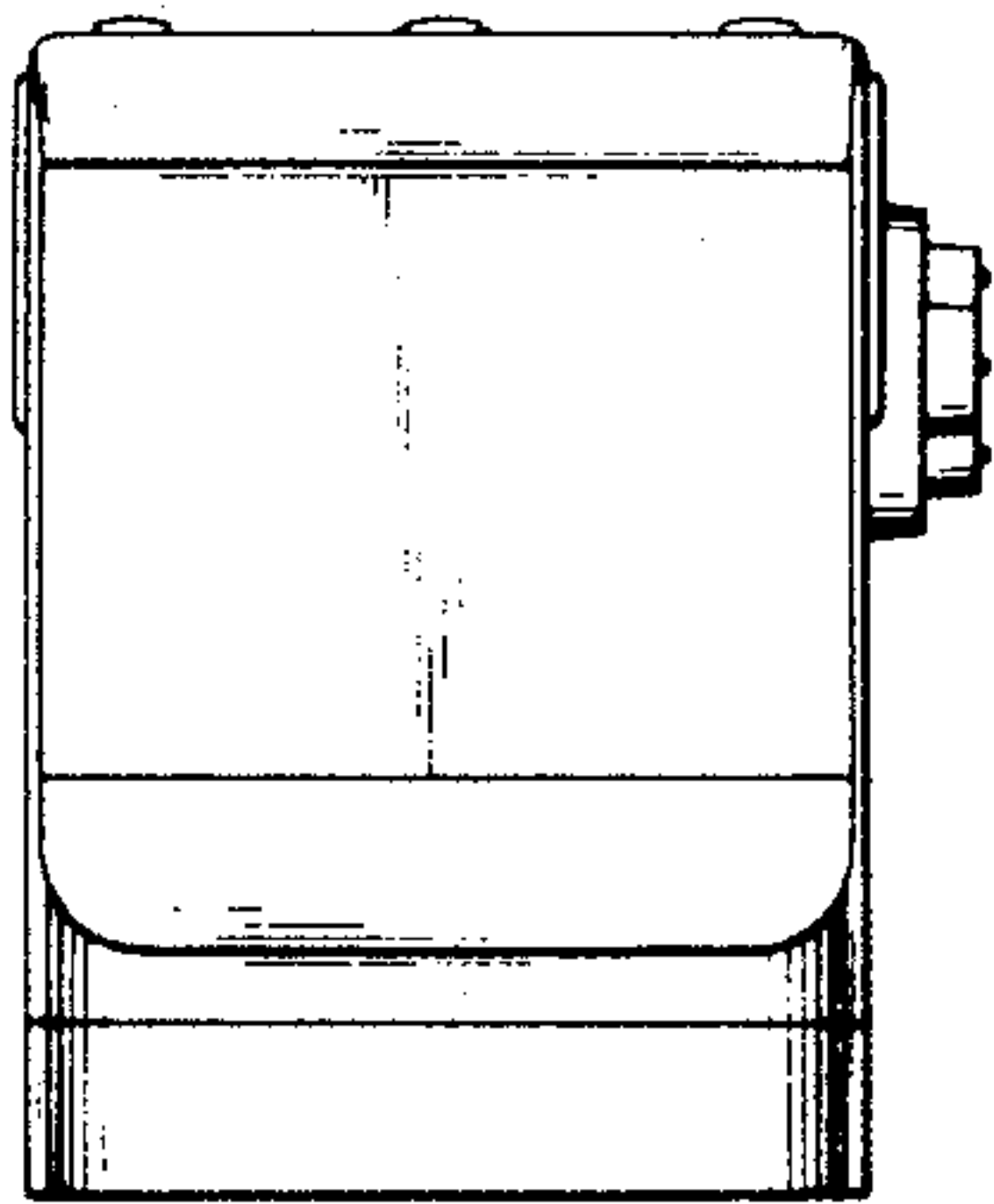


FIG. 6

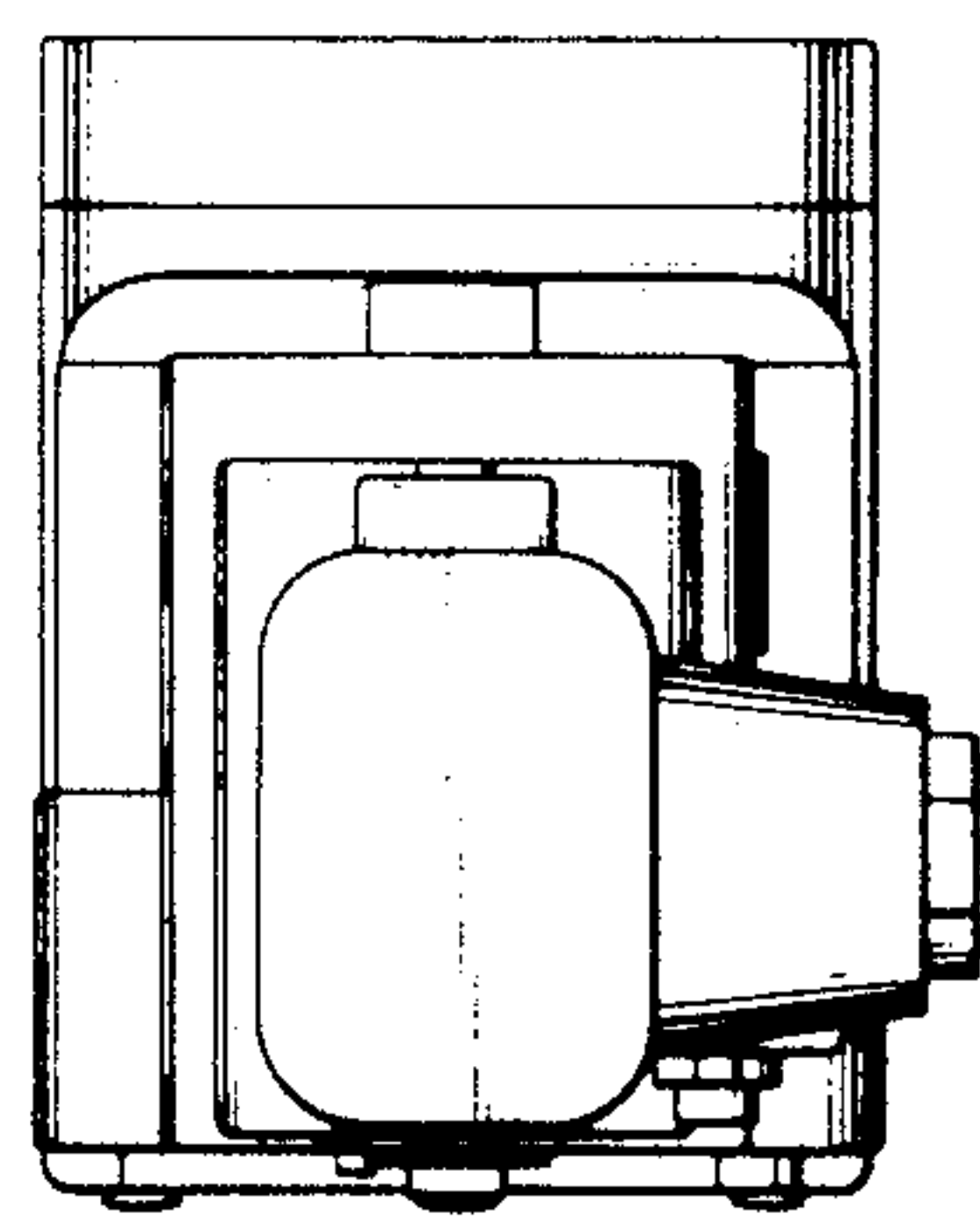


FIG. 7

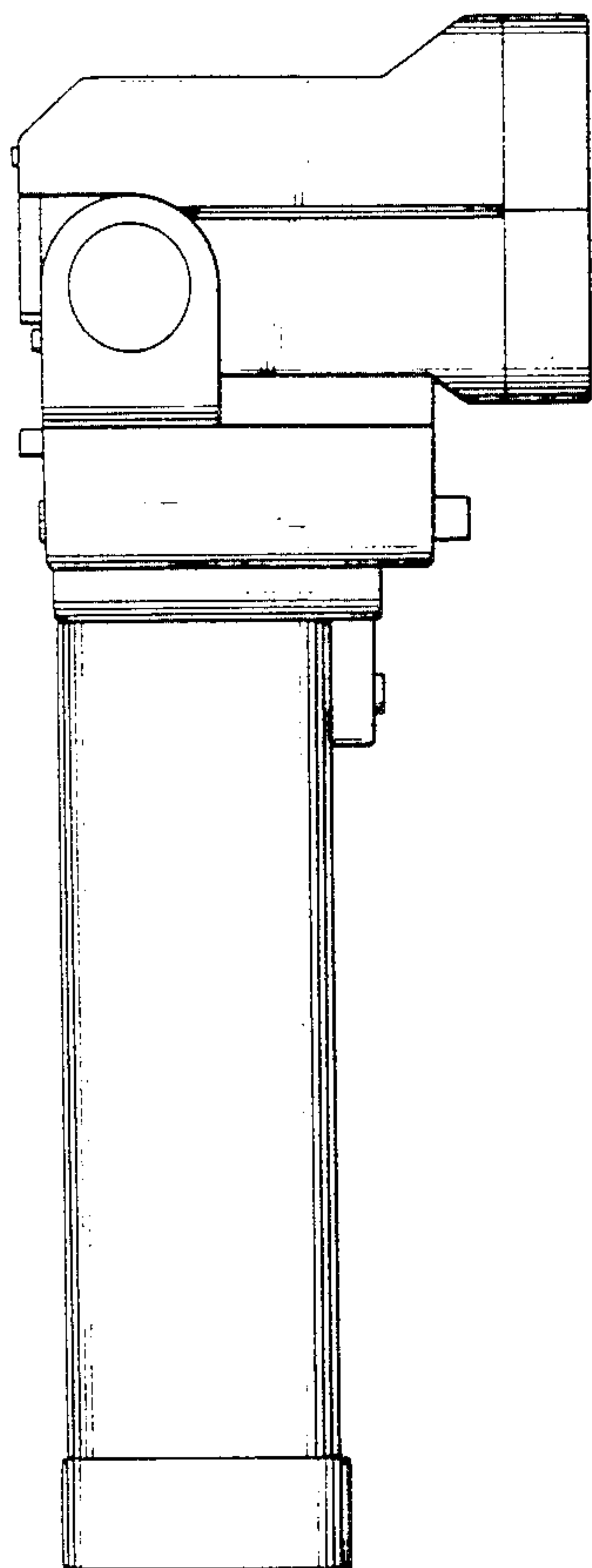


FIG. 8

