

[54] MOTOR DRIVE FOR CAMERAS

[75] Inventors: Yoshihisa Maitani; Yasuo Hattori, both of Hachioji, Japan

[73] Assignee: Olympus Optical Co., Ltd., Japan

[**] Term: 14 Years

[21] Appl. No.: 516,318

[22] Filed: Jul. 22, 1983

[30] Foreign Application Priority Data

Feb. 25, 1983 [JP] Japan 58-7587

[52] U.S. Cl. D16/10; D16/38

[58] Field of Search D16/1-10, D16/38; 354/173.1, 173.11, 288, 295

[56] References Cited

U.S. PATENT DOCUMENTS

- D. 201,158 5/1965 Wessels D16/38
- D. 246,372 11/1977 Yoshino D16/10
- D. 265,321 7/1982 Schreiber D16/10

- 4,167,314 9/1979 Ichyanagi 354/173.11
- 4,294,530 10/1981 Iwashita 354/173.11
- 4,367,937 1/1983 Mashimo 354/173.11

Primary Examiner—Nelson C. Holtje
Attorney, Agent, or Firm—Ostrolenk, Faber, Gerb & Soffen

[57] CLAIM

The ornamental design for a motor drive for cameras, as shown and described.

DESCRIPTION

FIG. 1 is a front and top right perspective view of a motor drive for cameras showing our new design;
 FIG. 2 is a rear and bottom-left perspective view thereof;
 FIG. 3 is a front elevational view thereof;
 FIG. 4 is a right side elevational view thereof;
 FIG. 5 is a rear elevational view thereof;
 FIG. 6 is a left side elevational view thereof;
 FIG. 7 is a top plan view thereof;
 FIG. 8 is a bottom plan view thereof.

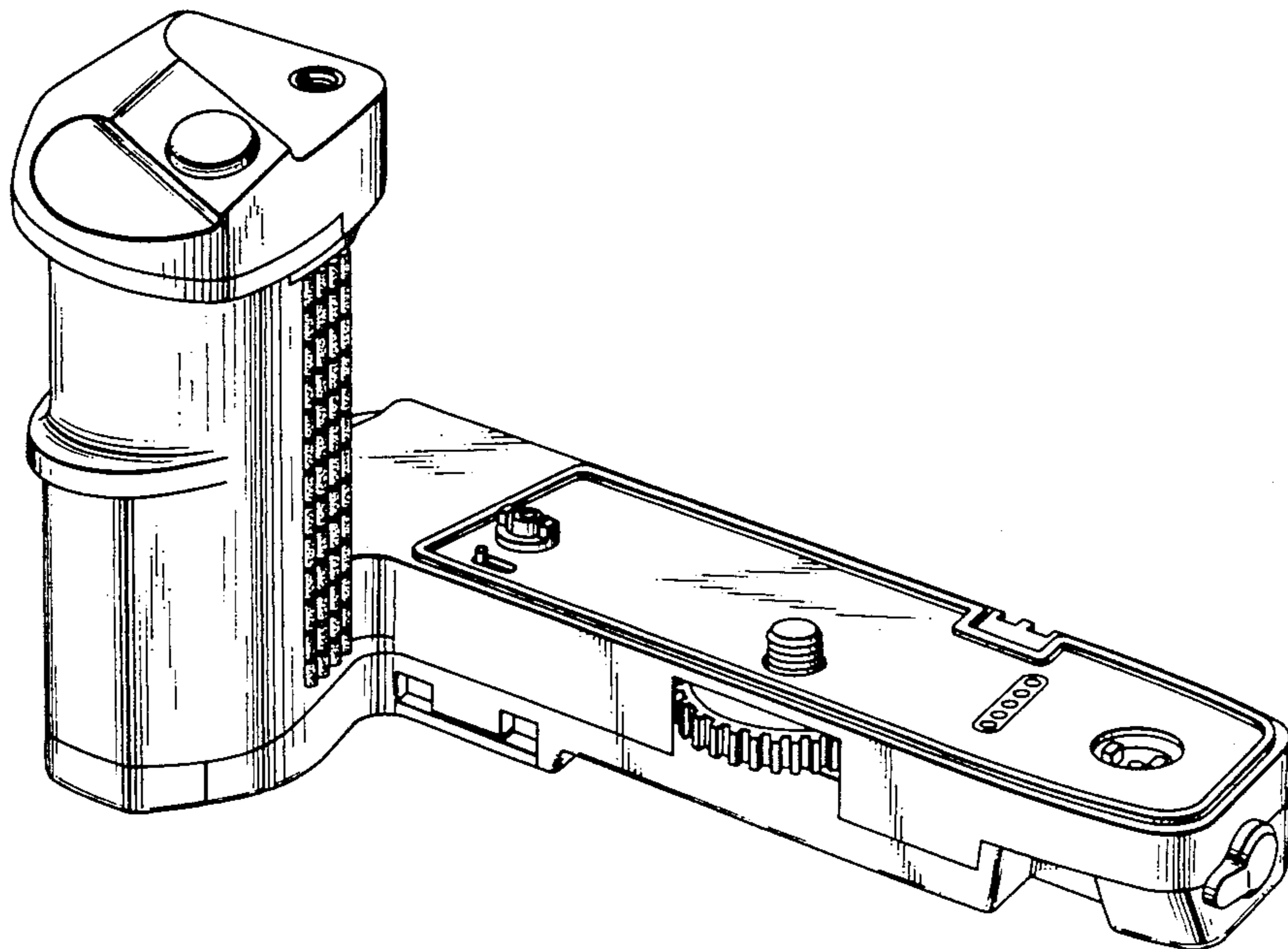


FIG. 1

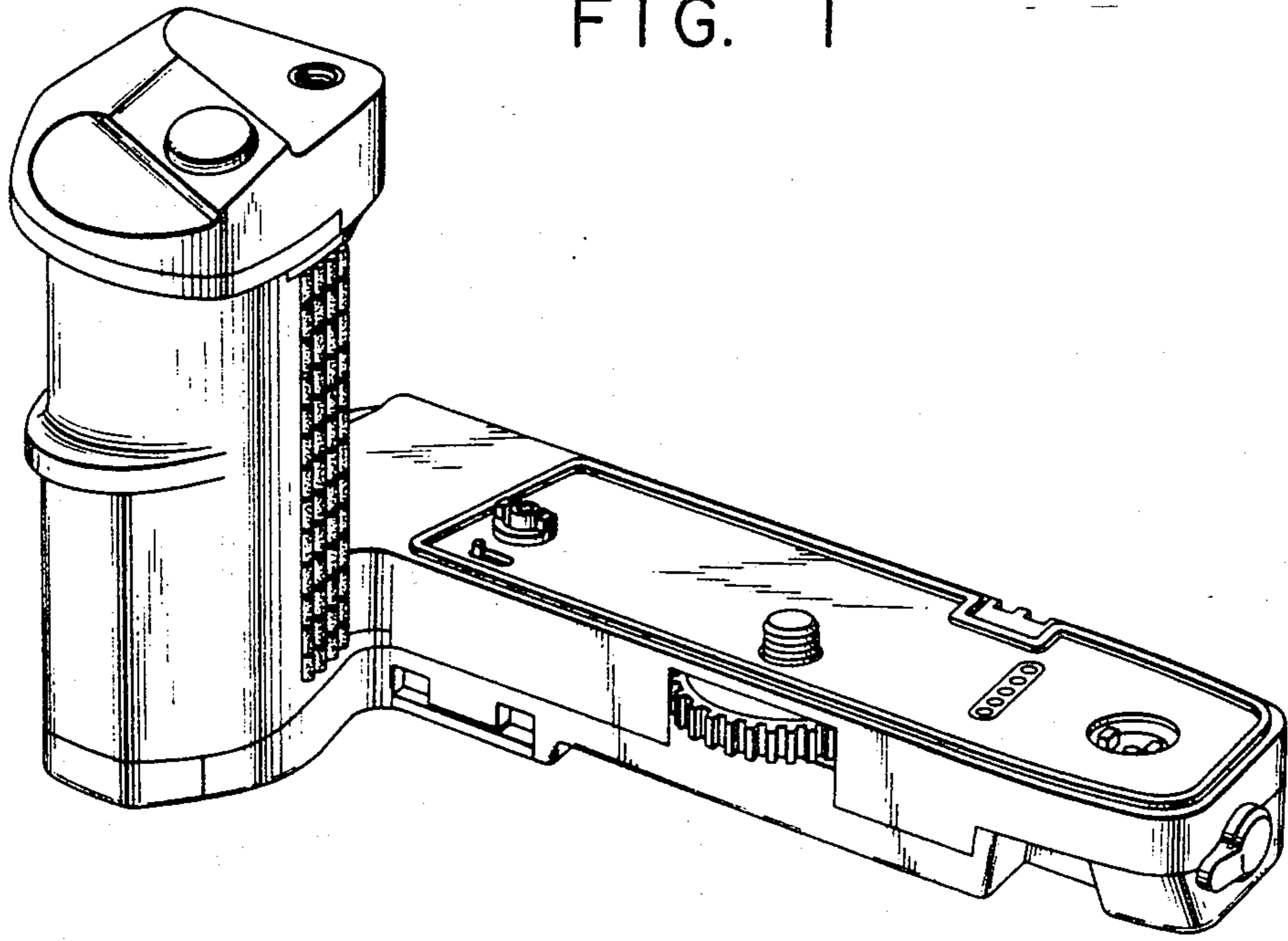


FIG. 2

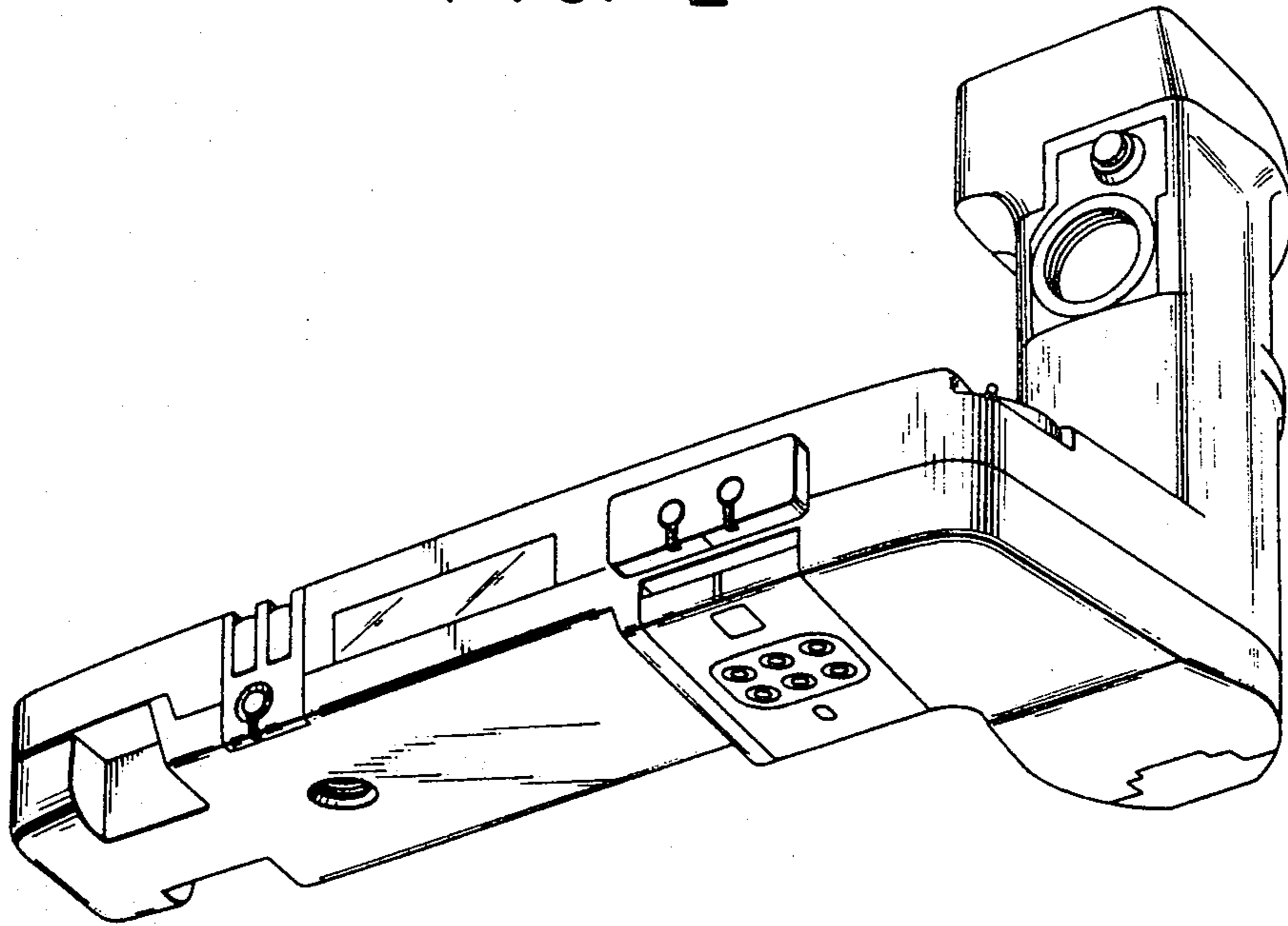


FIG. 4

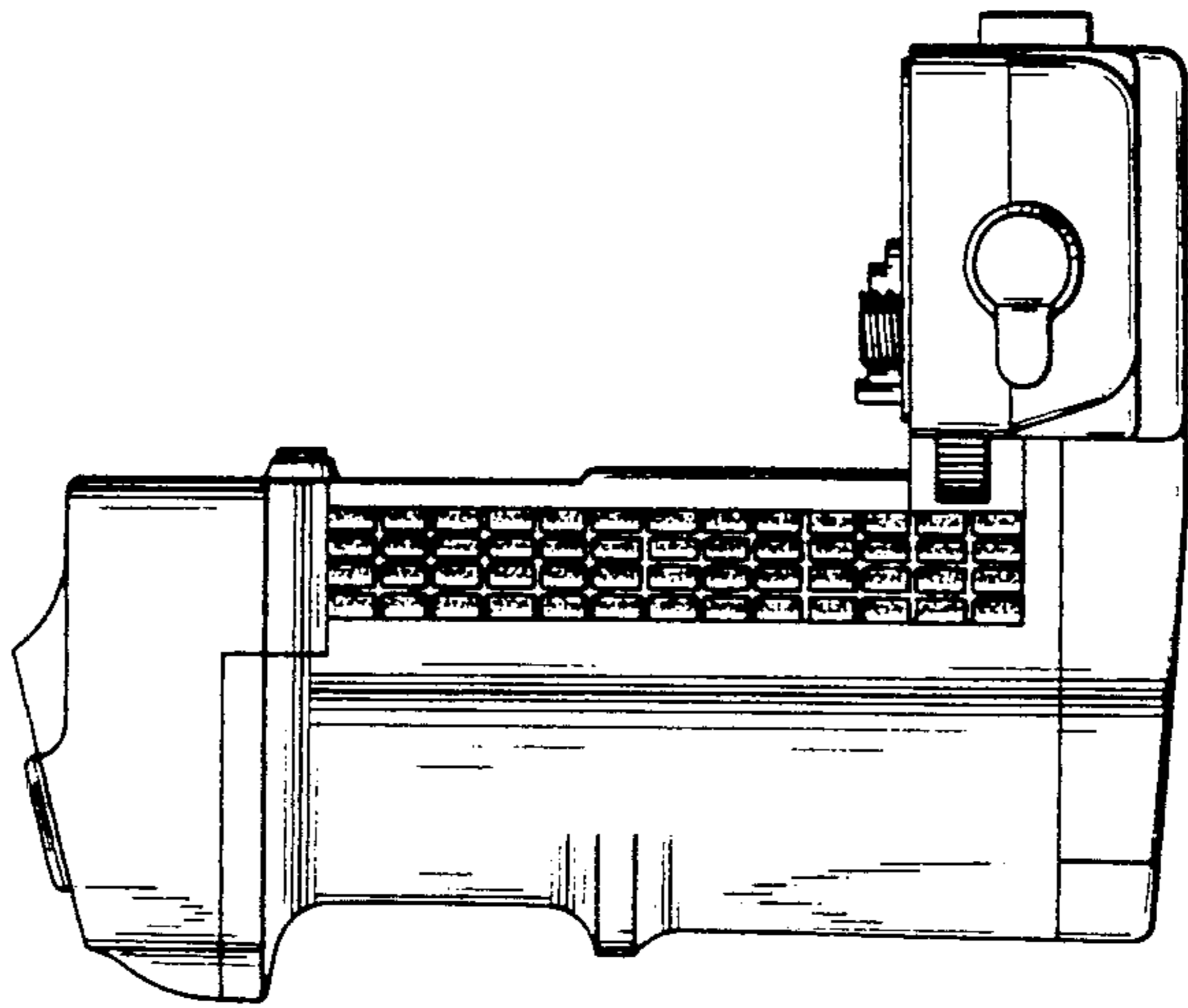


FIG. 3

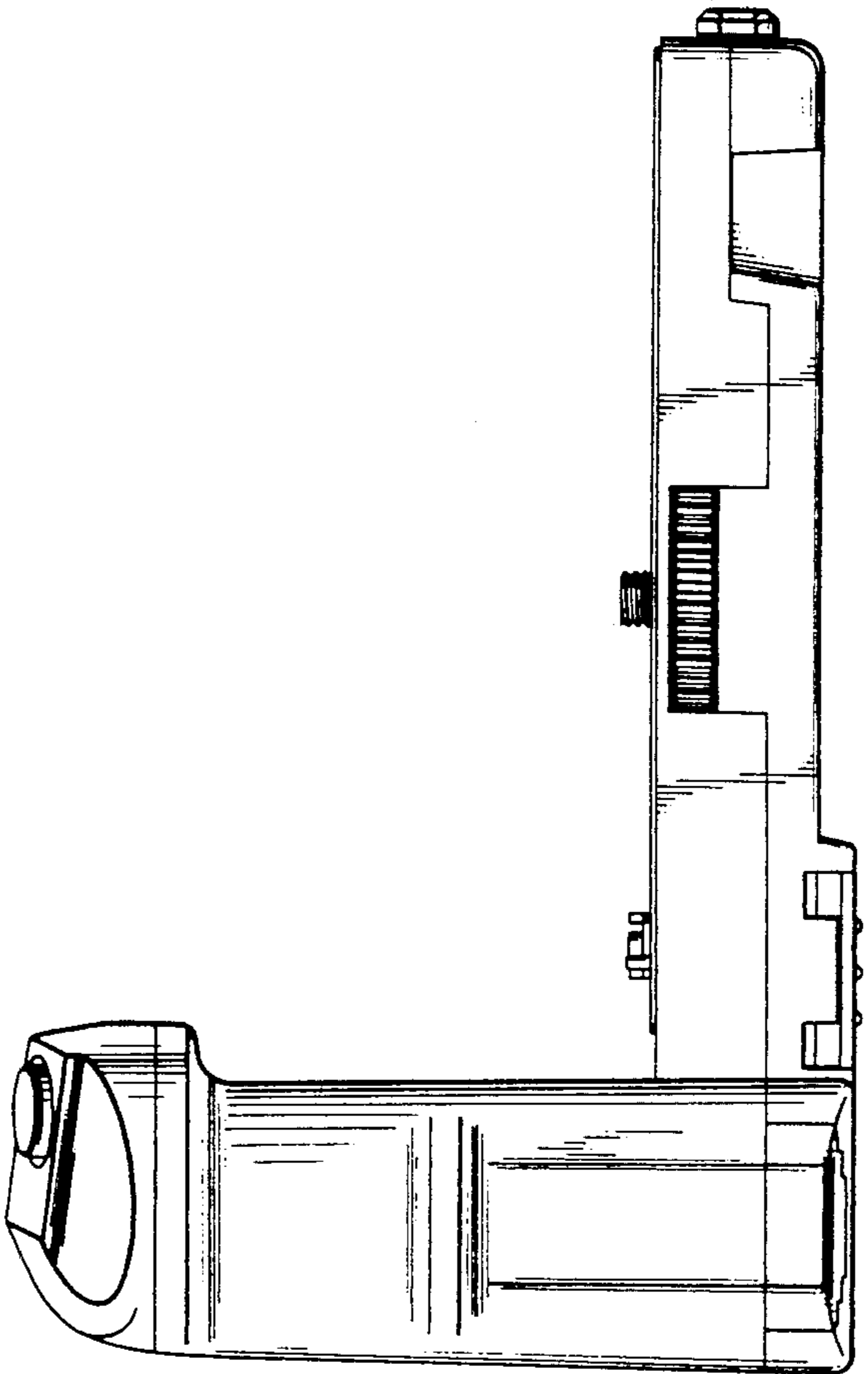


FIG. 6

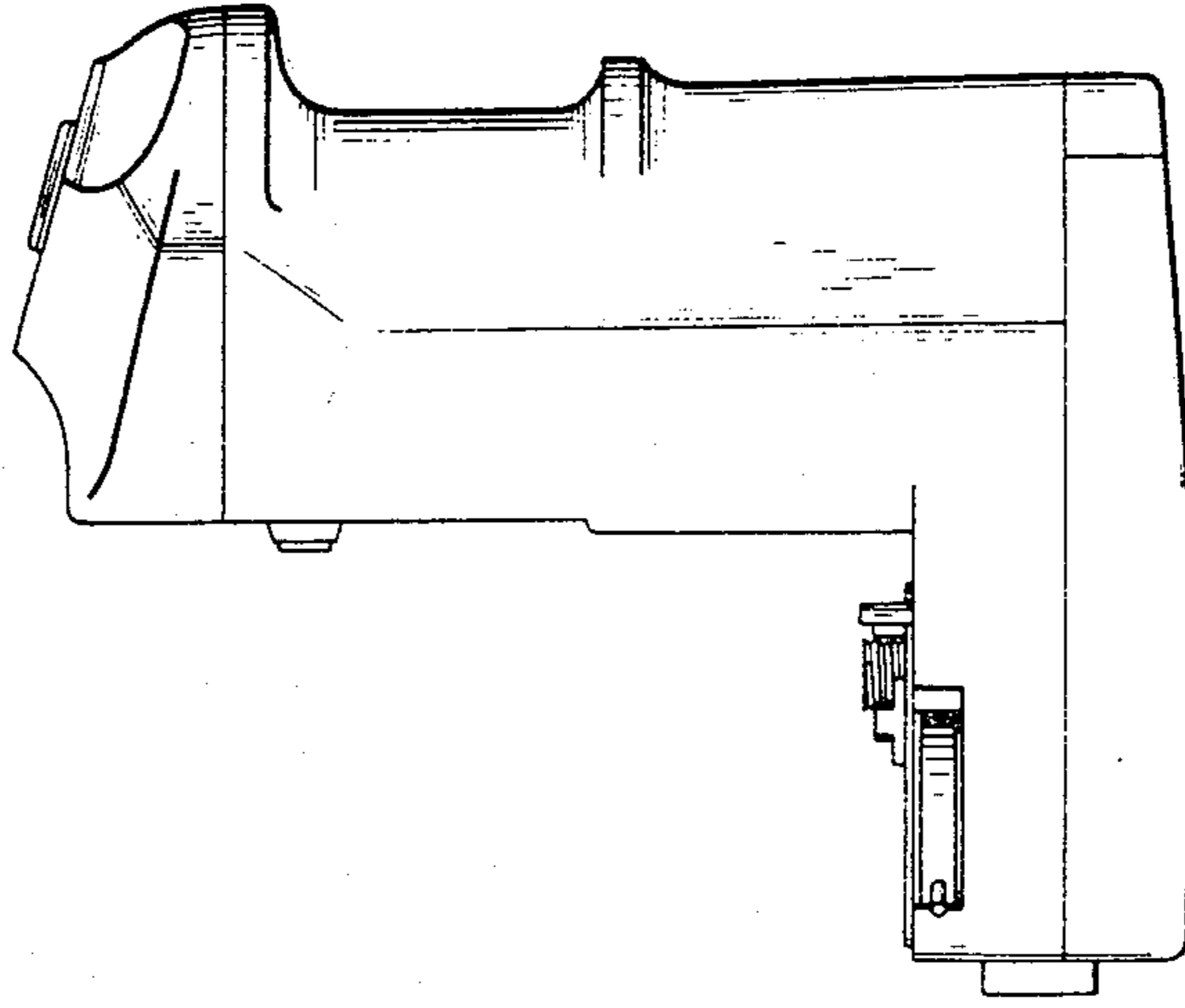


FIG. 5

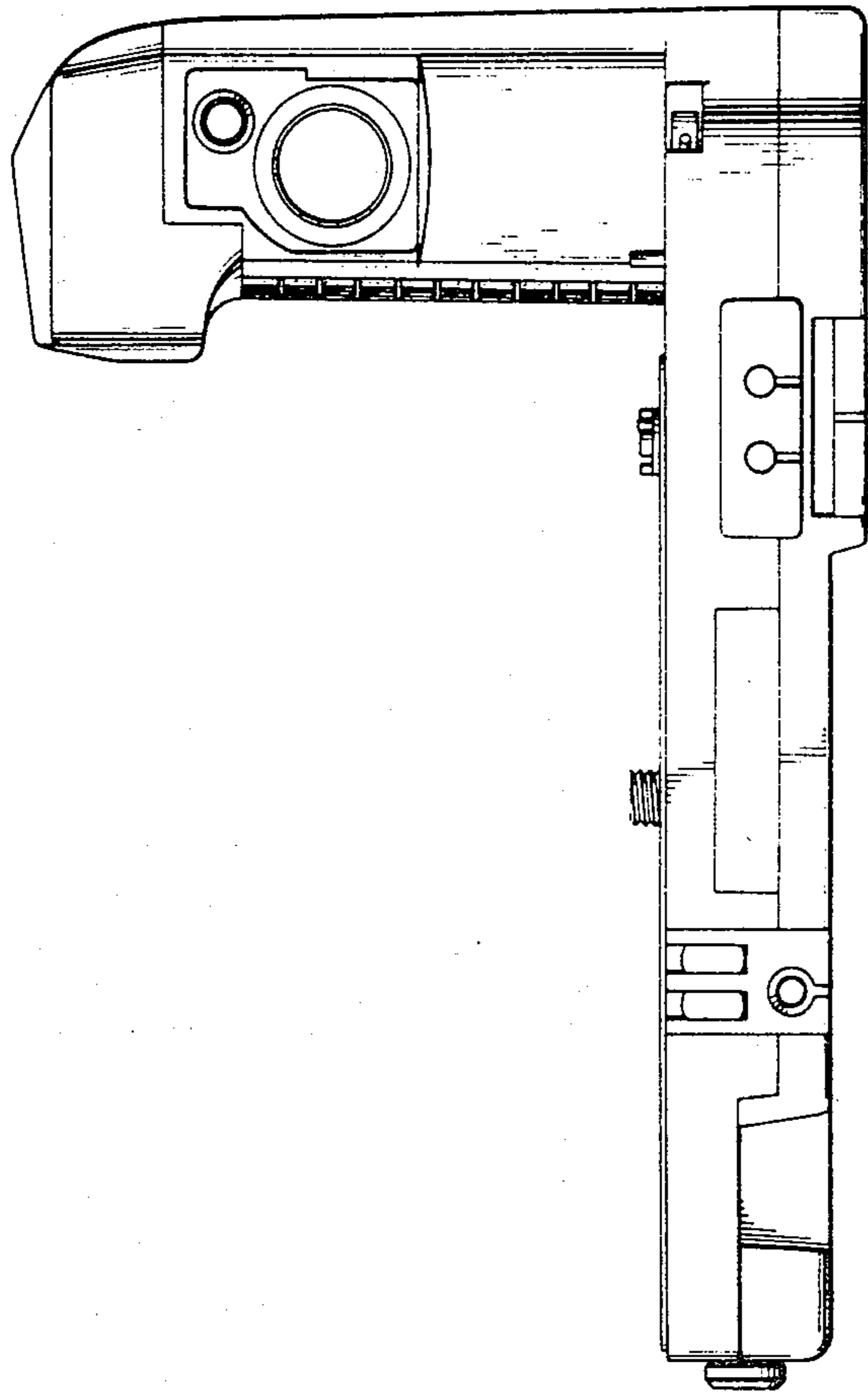


FIG. 7

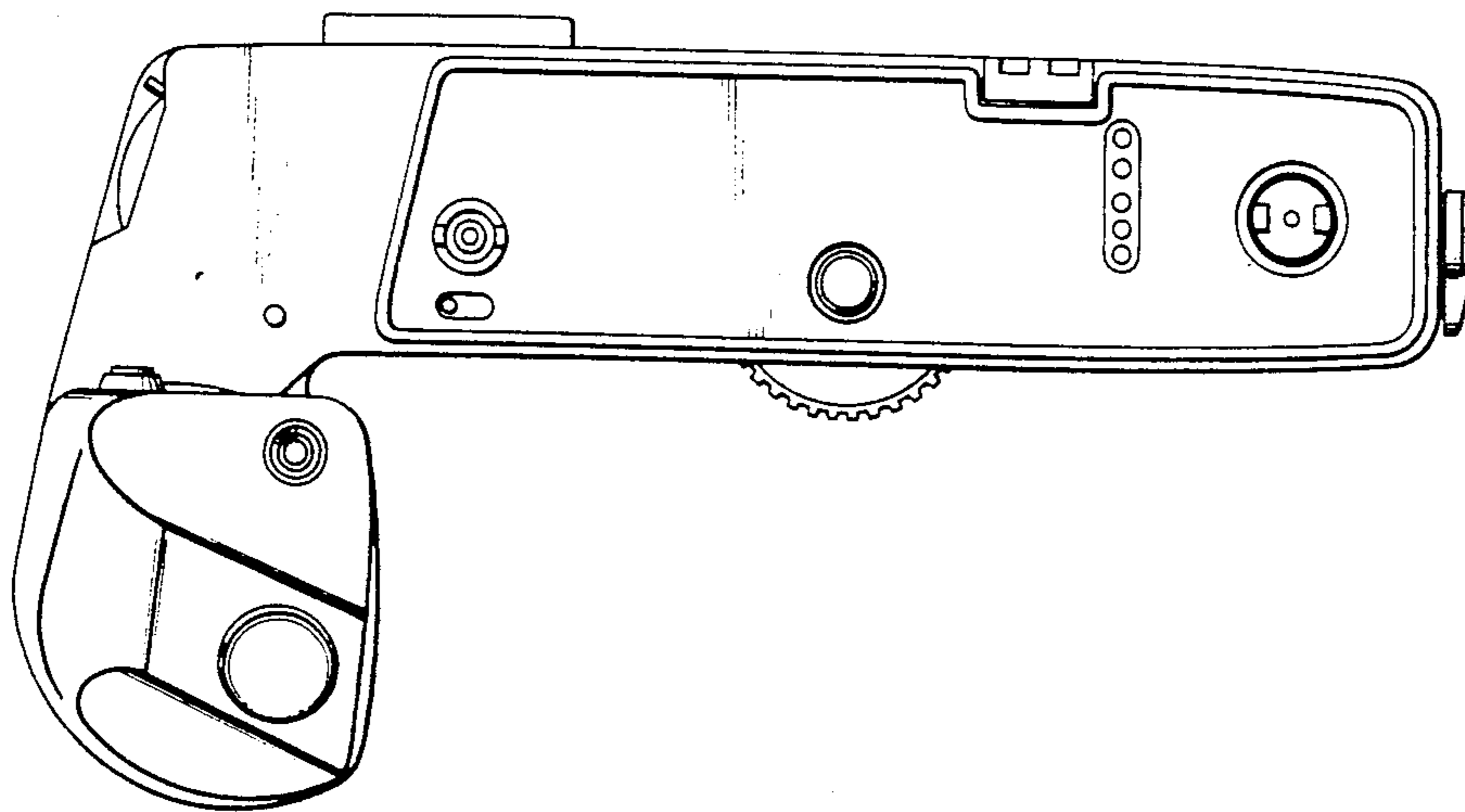


FIG. 8

